



**BRUGERMANUAL
BEDIENUNGSANLEITUNG
USER MANUAL
MANUEL D'UTILISATEUR
BRUKERVEILEDNING
BRUKSANVISNING
KÄYTTÖOHJE
GEBRUIKERSHANDLEIDING**

**RAIS Q-Tee
RAIS Q-Tee Wall
RAIS Q-Tee Insert**




attika[®]
FEUERKULTUR

RAIS[®]
ART  OF FIRE

DK - BRUGER MANUAL
 DE - BEDIENUNGSANLEITUNG
 UK - USER MANUAL
 F - MANUEL D'UTILISATEUR
 N - BRUKERVEILEDNING
 S - BRUKSANVISNING
 FIN - KÄYTTÖOHJE
 FL - GEBRUIKERSHANDLEIDING

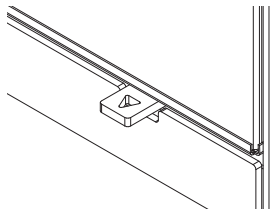
EC CERTIFICATE AND DECLARATION OF CONFORMITY (back of the user manual)

Mærkeplade RAIS Q-TEE
 CE Zeichen RAIS Q-TEE
 Manufacturer's plate RAIS Q-TEE
 Plaque signalétique de RAIS Q-TEE
 Merkeplade RAIS Q-TEE
 Märkplät RAIS Q-TEE
 Tyypikilpi RAIS Q-TEE
 Merkplaatje voor RAIS Q-TEE

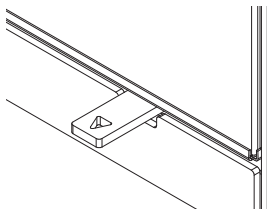
	
Produced at: RAIS A/S, Industrivej 20, 9900 Frederikshavn, Danmark	
EN 13240:2001+A2:2004 EC NO: 835	15 Q-TEE 57 / Q-TEE 65
<small>Kæmpeheizer for faste brændstoffer Appliance fixed by wood Poêle pour combustibles solides</small>	
<p>AFSTAND TIL BRÆNDART, BAGVÆG ABSTAND ZU BRENNBAREN BAUTEILEN, HINTEN DISTANCE TO COMBUSTIBLE BACK WALL DIST. ENTRE COMPOSANTS COMBUSTIBLES, ARRIERE</p> <p>AFSTAND TIL BRÆNDART, SIDEVÆG ABSTAND ZU BRENNBAREN BAUTEILEN, SEITE DISTANCE TO COMBUSTIBLE SIDE WALL DISTANCE ENTRE COMPOSANTS COMBUSTIBLES, COTE</p> <p>AFSTAND TIL BRÆNDART, MØBLERING ABSTAND VORNE ZU BRENNBAREN MØBELN DISTANCE TO FURNITURE AT THE FRONT DISTANCE ENTRE COMPOSANTS COMBUSTIBLES, DEVANT</p> <p>CO EMISSION CO EMISSION IN DEN VERBRENNINGSPRODUKTEN EMISSION OF CO IN COMBUSTION PRODUCTS EMISSION CO DANS LES PRODUITS COMBUSTIBLES</p> <p>STØV / STAUS / DUST; POISSIERES:</p> <p>ROGGSTEMPERATUR / ABGASTEMPERATUR / FLUE GAS TEMPERATURE / TEMPERATURE DES GAZ DE FUMEE:</p> <p>NOMINEL EFFEKT / HEJLESTUNG / THERMAL OUTPUT / PUISSANCE CALORIFIQUE: VIRKNINGSGRAD / ENERGIEEFFIZIENZ / ENERGY EFFICIENCY / EFFICACITE ENERGETIQUE:</p> <p><small>DK: Brng kun anbefaldes brændstoffer. Følg instrukserne i brugsmanualen. Användningen av språket är obligatorisk enligt installationen. DE: Lesen und befolgen Sie die Bedienungsanleitung. Zetbeveiligingsinstructie. Niet optioneelere brandstoffen aannemen. UK: Fuel types (only recommended). Follow the installation and operating instruction manual. Interim test operation. F: Vådlaften är en observera de instruktionerna de made drängslat. Foyer à draine de combustion limitée, homologation pour cheminée à combustibles multiples. Utiliser seulement les combustibles recommandés.</small></p>	<p>DK:350 mm/SEE BRUGERVEILEDNING DE:350 mm/SIEHE BEDIENUNGSANLEITUNG UK:350 mm/SEE USER MANUAL FR:350 mm/CONSULTEZ LE GUIDE DE L'UTILISATEUR</p> <p>DK:275 mm/SEE BRUGERVEILEDNING DE:275 mm/SIEHE BEDIENUNGSANLEITUNG UK:275 mm/SEE USER MANUAL FR:275 mm/CONSULTEZ LE GUIDE DE L'UTILISATEUR</p> <p>DK:650 mm/SEE BRUGERVEILEDNING DE:650 mm/SIEHE BEDIENUNGSANLEITUNG UK:650 mm/SEE USER MANUAL FR:650 mm/CONSULTEZ LE GUIDE DE L'UTILISATEUR</p> <p>DK: 0,1% DE: 0,1% / 1250 mgNm³ UK: 0,1% FR: 0,1%</p> <p>DK: 20 mgNm³ / DE: 20 mgNm³ UK: 20 mgNm³ / FR: 20 mgNm³</p> <p>DK: 283°C / DE: 283°C UK: 283°C / FR: 283°C</p> <p>DK: 4,1 kW / DE: 4,1 kW UK: 4,7 kW / FR: 4,1 kW</p> <p>DK: 80% / DE: 80% UK: 80% / FR: 80%</p> <p>DK: BRÆNDE</p> <p>DE: HOLZ</p> <p>UK: WOOD</p> <p>FR: BOIS</p>
<p>Hørgørelst for i/Produced for: ATTIKA FEUER AG, Brunnmatt 16, CH-6330 Cham / RAIS A/S, Industrivej 20, DK-9900 Frederikshavn</p>	
 Certification 110-0368/TG20195	 15a B-VG VKF-NR: XXXXX Bauart: 2

	
Produced at: RAIS A/S, Industrivej 20, 9900 Frederikshavn, Danmark	
EN 13229:2001+A2:2004 EC NO: 836	15 Q-TEE Insert
<small>Kæmpeheizer for faste brændstoffer Appliance fixed by wood Poêle pour combustibles solides</small>	
Anordningen må kun installeres i forbindelse med ubrændbart materiale.	
<p>AFSTAND TIL BRÆNDART, BAGVÆG ABSTAND ZU BRENNBAREN BAUTEILEN, HINTEN DISTANCE TO COMBUSTIBLE BACK WALL DIST. ENTRE COMPOSANTS COMBUSTIBLES, ARRIERE</p> <p>AFSTAND TIL BRÆNDART, SIDEVÆG ABSTAND ZU BRENNBAREN BAUTEILEN, SEITE DISTANCE TO COMBUSTIBLE SIDE WALL DISTANCE ENTRE COMPOSANTS COMBUSTIBLES, COTE</p> <p>AFSTAND TIL BRÆNDART, MØBLERING ABSTAND VORNE ZU BRENNBAREN MØBELN DISTANCE TO FURNITURE AT THE FRONT DISTANCE ENTRE COMPOSANTS COMBUSTIBLES, DEVANT</p> <p>CO EMISSION CO EMISSION IN DEN VERBRENNINGSPRODUKTEN EMISSION OF CO IN COMBUSTION PRODUCTS EMISSION CO DANS LES PRODUITS COMBUSTIBLES</p> <p>STØV / STAUS / DUST; POISSIERES:</p> <p>ROGGSTEMPERATUR / ABGASTEMPERATUR / FLUE GAS TEMPERATURE / TEMPERATURE DES GAZ DE FUMEE:</p> <p>NOMINEL EFFEKT / HEJLESTUNG / THERMAL OUTPUT / PUISSANCE CALORIFIQUE: VIRKNINGSGRAD / ENERGIEEFFIZIENZ / ENERGY EFFICIENCY / EFFICACITE ENERGETIQUE:</p> <p><small>DK: Brng kun anbefaldes brændstoffer. Følg instrukserne i brugsmanualen. Användningen av språket är obligatorisk enligt installationen og intervjuyning. DE: Lesen und befolgen Sie die Bedienungsanleitung. Zetbeveiligingsinstructie. Niet optioneelere brandstoffen aannemen. UK: Fuel types (only recommended). Follow the installation and operating instruction manual. Interim test operation. F: Vådlaften är en observera de instruktionerna de made drängslat. Foyer à draine de combustion limitée, homologation pour cheminée à combustibles multiples. Utiliser seulement les combustibles recommandés.</small></p>	<p>DK: SE BRUGERVEILEDNING DE: SIEHE BEDIENUNGSANLEITUNG UK: SEE USER MANUAL FR: CONSULTEZ LE GUIDE DE L'UTILISATEUR</p> <p>DK: SE BRUGERVEILEDNING DE: SIEHE BEDIENUNGSANLEITUNG UK: SEE USER MANUAL FR: CONSULTEZ LE GUIDE DE L'UTILISATEUR</p> <p>DK:650 mm/SEE BRUGERVEILEDNING DE:650 mm/SIEHE BEDIENUNGSANLEITUNG UK:650 mm/SEE USER MANUAL FR:650 mm/CONSULTEZ LE GUIDE DE L'UTILISATEUR</p> <p>DK: 0,1% DE: 0,1% / 1250 mgNm³ UK: 0,1% FR: 0,1%</p> <p>DK: 20 mgNm³ / DE: 20 mgNm³ UK: 20 mgNm³ / FR: 20 mgNm³</p> <p>DK: 283°C / DE: 283°C UK: 283°C / FR: 283°C</p> <p>DK: 4,1 kW / DE: 4,1 kW UK: 4,7 kW / FR: 4,1 kW</p> <p>DK: 80% / DE: 80% UK: 80% / FR: 80%</p> <p>DK: BRÆNDE</p> <p>DE: HOLZ</p> <p>UK: WOOD</p> <p>FR: BOIS</p>
<p>Hørgørelst for i/Produced for: ATTIKA FEUER AG, Brunnmatt 16, CH-6330 Cham / RAIS A/S, Industrivej 20, DK-9900 Frederikshavn</p>	
 Certification 110-0368/TG20195	 15a B-VG VKF-NR: XXXXX Bauart: 2

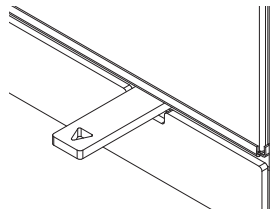
Brug af brændeovn / Using the wood burning stove / Bruk av peisovn
Använda kaminen / Tulisijan käyttäminen / Utilisation du poêle / Gebruik van de kachel



Position 1
Posisjon 1
Asento 1
Stand 1



Position 2
Posisjon 2
Asento 2
Stand 2



Position 3
Posisjon 3
Asento 3
Stand 3

FIRE ENVIRONMENTALLY FRIENDLY!

5 Eco-friendly advices for sensible heating
- common sense both environmentally and economically.

1. Effective lighting. Use dry brushwood, kindling and possible a piece of news paper. Open the air damper, so plenty of air is fed to the stove and the gases from the heated wood can burn rapidly.
2. Light the fire with only little wood at a time - this gives the best combustion. Remember plenty of air for every time new wood is added.
3. When the flames are diminished, adjust the air damper so that the air supply is reduced
4. When only glowing embers remain, air flow can be reduced further, so heating demand is just covered. With a lower air supply the charcoal will burn slower and the heat loss through the chimney is reduced.
5. Use only dry wood - ie wood with a humidity of 15 to 22 percent.

The oven is wrapped in packaging that is recyclable. This must be disposed of according to national rules regarding the disposal of waste.

The glass can not be reused.

The glass should be discarded along with the residual waste from ceramics and porcelain.

Pyrex glass has a higher melting temperature and therefore can not be reused.

If discarded you make an important positive contribution to the environment.

RAIS Q-Tee - Q-Tee Wall - Q-Tee Insert

Revision : : 4
Date : : 10-06-2016

INTRODUCTION - WARRANTY.....	6
SPECIFICATIONS	7
INSTALLATION INSTRUCTIONS.....	8
CONVECTION	9
CHIMNEY	9
INSTALLATION.....	11
CHANGE OF CHIMNEY CONNECTION.....	12
INSTALLATION DISTANCE IN CASE OF COMBUSTIBLE WALL	13
PLACEMENT OF Q-TEE 57/Q-TEE 65/Q-TEE 85 (FREE-STANDING).....	14-15
NORMAL SET-UP - CORNER SETTING.....	14
CORNER SETTING 45° FIXED SOCKET.....	15
INSTALLATION DISTANCE IN CASE OF NON-COMBUSTIBLE WALL	15
PLACEMENT OF Q-TEE WALL	16-17
NORMAL SET-UP - CORNER SETTING.....	16
INSTALLATION DISTANCE IN CASE OF NON-COMBUSTIBLE WALL	17
MOUNTING OF WALL BRACKET AND INSTALLATION OF Q-TEE WALL	18-19
Q-TEE INSERT.....	20-25
OVERALL DIMENSIONS	20
ASSEMBLY INSTRUCTIONS	21
BUILT-IN DIMENSIONS - WALL OPENING - AIR SYSTEM	22
PLACEMENT OF Q-TEE INSERT	23-25
CONVECTION - VENTILATION - MATERIAL SELECTION.....	23
INSTALLATION DISTANCE IN CASE OF NON-COMBUSTIBLE PANELS.....	24
INSTALLATION DISTANCE IN CASE OF BRICK WALL / FIRE WALL	25
FOR THE INSTALLER	26
OPERATING INSTRUCTIONS.....	26
FUEL	26
DRYING AND STORAGE	27
REGULATING THE COMBUSTION AIR	27
ROOM VENTILATION AND STOVES	28
USING THE WOOD BURNING STOVE	28
ADJUSTMENT OF AIR DAMPER	28
CONTROL	28
FIRST USAGE	29
Warning	30
CLEANING AND CARE	31
CLEANING OF THE FLUE WAYS	32
INTERRUPTION OF OPERATION	33
SPARE PARTS Q-TEE	34

Introduction

Thank you for purchasing a RAIS wood burning stove.
These appliances have been approved by SCA/HETAS Ltd as an intermittent operating appliances for burning wood logs only.

A RAIS wood burning stove is more than just a heat source: it also shows that you care about design and quality in your home.

To make the most of your wood burning stove it is important that you read the manual thoroughly, before installing and using it.

In the case of warranty coverage, and for general queries regarding your wood burning stove, it is important that you know the stove's production number. We therefore recommend that you note down the number in the table below. The production number is located on the back of the stove at the bottom.

Warranty

Your RAIS wood burning stove comes with a 5 year warranty. The warranty, however, does not cover heat-insulating materials, glass and seals.

Any alterations made to the stove will void the warranty.



Production number:

Produced by:

RAIS A/S

9900 Frederikshavn, DK

Date:

Distributor:

Specifications

	Q-TEE 57	Q-TEE 65	Q-TEE 85	Q-TEE Insert
Nominal output (kW)	4.7	4.7	4.7	4.7
Heating area (m ²)	30-90	30-90	30-90	30-90
Stove's width/depth/height (mm)	425x372x570	425x372x650	425x372x850	463x375x603
Combustion chamber's width/depth/height (mm)	317x270x270	317x270x270	317x270x270	317x270x270
Recommended amount of wood when fuelling (kg). Distributed on 2-3 logs of wood of approx. 25 cm	1.5	1.5	1.5	1.5
Min. uptake / Min. draught (Pascal)	-12	-12	-12	-12
Weight steeldoor/glassdoor (kg)	79/81	82/84	94/96	94/96
Efficiency (%)	80	80	80	80
Particles acc. to NS3058/3059 (g/kg)	0.8	0.8	0.8	0.8
Dust measured acc. to Din+ (mg/Nm ³)	20	20	20	20
Smoke gas mass flow (g/s)	3.7	3.7	3.7	3.7
Smoke gas temperature (°C)	283	283	283	283
Placement	Free standing Wallmounted	Free standing Wallmounted	Free standing	Build in
Remarks			Q-TEE 57 on socket	
Intermittent operation	Refuelling should be undertaken within 3 hours			

Installation instructions

The following pages give instructions for the safe and proper installation of this heating appliance in the UK. These instructions cover the basic principles of installation, although detail may need slight modification to suit particular local site conditions. In all cases the installation must comply with current UK Building Regulations, Local Authority Byelaws and other specifications or regulations as they affect the installation of the stove. Please note that it is a legal requirement under England and Wales Building Regulations that the installation of the stove is either carried out under Local Authority Building Control approval or is installed by a Competent Person registered with a Government approved Competent Persons Scheme. HETAS Ltd operate such a Scheme and a listing of their Registered Competent Persons can be found on their website at www.hetas.co.uk.

It should be noted that the current Building Regulations requirements are given in Approved Document J. These requirements may also be met by adopting the relevant recommendations given in British Standards BS 8303 and BS EN 15287-1.

WARNING: Health and Safety Advice Notice

The installation of this heating appliance is governed by the Health and Safety at Work Act 1974. It is the responsibility of the installer to ensure that all requirements of this Act are met during the installation works. Attention is drawn in particular to the following:

Handling:

The appliance is a heavy item and adequate facilities must be available for loading, unloading and site handling.

Fire Cement:

Some types of fire cement are caustic and should not be allowed to come into contact with the skin. Protective gloves should be worn when handling fire cement. In case of contact with the skin wash immediately with plenty of water.

Asbestos:

This stove contains no asbestos. If there is a possibility of disturbing any asbestos in the course of installation then please seek specialist guidance and use appropriate protective equipment.

Metal Parts:

When installing or servicing this stove care should be taken to avoid the possibility of personal injury.

Important Warning –Preparatory Work and Safety Checks:

- This stove must not be installed into a chimney that serves any other heating appliance.
- It's recommendet not have an extractor fan fitted in the same room as the stove as this can cause the stove to emit fumes into the room.
- If this appliance is installed into an existing chimney, the chimney must first be swept and examined for soundness and suitability before the appliance is installed (see also section headed "Chimney").

Convection

RAIS stoves are convection stoves. This means that the stove's back and side panels are not over-heated. Convection means that there is a circulation of air, which ensures that the heat is distributed more evenly throughout the entire room. The cold air is sucked in at the base of the stove up through the convection channel, which runs along the stove's combustion chamber. The heated air pours out at the top of the stove, which ensures a circulation of warm air throughout the room.

Chimney

The chimney is the driving force which makes the stove function. In order for the stove to perform satisfactorily the chimney height must be sufficient to ensure the correct draught of 14 to 18 Pa so as to clear the products of combustion and prevent problems of smoke emanating into the room when firing.

NOTE: A chimney height of not less than 4.5 metres measured vertically from the outlet of the stove to the top of the chimney should be satisfactory. Alternatively the calculation procedure given in BS 5854:1980 may be used as the basis for deciding whether a particular chimney design will provide sufficient draught.

The outlet from the chimney should be above the roof of the building in accordance with the provisions of Building Regulations Approved Document J.

If installation is into an existing chimney then it must be sound and have no cracks or other faults which might allow fumes into the house. Older properties, especially, may have chimney faults or the cross section may be too large i.e. more than 230 mm x 230 mm. Remedial action should be taken, if required, seeking expert advice, if necessary. If it is found necessary to line the chimney then a flue liner suitable for solid fuel must be used in accordance with Building Regulations Approved Document J.

Any existing chimney must be clear of obstruction and have been swept clean immediately before installation of the stove. If the stove is fitted in place of an open fire then the chimney should be swept one month after installation to clear any soot falls which may have occurred due to the difference in combustion between the stove and the open fire.

If there is no existing chimney then either a prefabricated block chimney in accordance with Building Regulations Approved Document J or a twin walled insulated stainless steel flue to BS 1856-1 can be used. These chimneys must be fitted in accordance with the manufacturer's instructions and Building Regulations.

A single wall metal fluepipe is suitable for connecting the stove to the chimney but is not suitable for using for the complete chimney. The chimney and connecting fluepipe must have a minimum diameter of 125 mm. Any bend in the chimney or connecting fluepipe should not exceed 45°. 90°bends should not be used.

Combustible material should not be located where the heat dissipating through the walls of fireplaces or flues could ignite it. Therefore when installing the stove in the presence of combustible materials due account must be taken of the guidance on the separation of combustible material given in Building Regulations Approved Document J and also in these stove instructions.

If it is found that there is excessive draught in the chimney then either an adjustable flue damper or alternatively a draught stabiliser should be fitted. The adjustable flue damper should not close off the flue entirely but should in its closed position leave a minimum continuous opening free area of at least 20 % of the total cross sectional area of the flue or fluepipe.

Adequate provision e.g. easily accessible soot door or doors must be provided for sweeping the chimney and connecting fluepipe.

You should also familiarise yourself with the draught conditions for chimneys with 2 flues.

The flue outlet spigot is either 150 mm (6") in diameter, or 129 mm (5") in diameter.

For strong draughts, the chimney or flue should be fitted with a draught stabiliser. In which case, it is important to ensure that there is a free flow-through area of minimum 20 cm² when the regulating gate is shut. Otherwise, the fuel energy may not be used optimally. If, at any time, you are unsure about the condition of the chimney, you should contact a chimney sweep.

Remember that access to the access door should be kept clear.

Installation

The stove can be free standing on the floor or hung on a non-combustible wall. In addition, it may be built into a wall (see specifications).

When installing the wood burning stove, there are some rules which **MUST** be followed:

The stove must be set up and installed in accordance with all current national and local rules and regulations. Local authorities and a chimney specialist should be contacted prior to set up.

It is prohibited to carry out unauthorised alterations to the stove.

There must be plenty of fresh air in the room where the stove is being installed, in order to ensure proper combustion. Note that any mechanical exhaust ventilation - e.g. an extraction hood - may reduce the air supply. Any air grates must be placed in such a manner, that the air supply is not blocked.

The floor structure must be able to carry the weight of the wood burning stove, as well as the weight of a chimney, if necessary.

The stove is placed on fireproof material (for the freestanding model).

As for the wall-mounted version, the wall must be non-combustible, and must support the weight of the oven as well as a possible chimney. The wall bracket (accessory) is fitted with suitable bolts.

When you choose where to set up your RAIS wood burning stove, you should consider the heat distribution to the other rooms. This will enable you to get the best use out of your stove.

The stove should be set up at a safe distance from inflammable materials.

See the manufacturer's plate on the wood burning stove.

NOTE!!

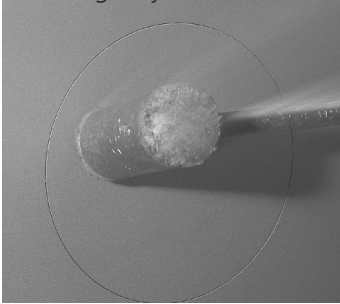
RAIS A/S recommends that the stove is installed by a qualified/competent Rais dealer or a fireplace fitter recommended by an authorized RAIS dealer.

See www.rais.com for dealer list.

Upon receiving the stove must be inspected for defects.

Change of chimney connection

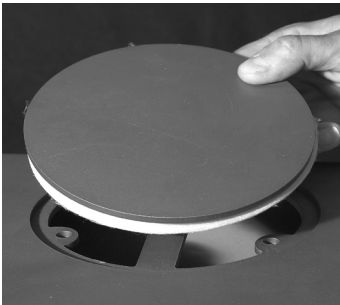
The stove is delivered ready for top outlet, but may be changed to back outlet in the following way:



Strike out the knock out plate at the rear of stove.



Remove the blanking plate and the packing, and position them in the hovel at the top. Ensure that the packing is positioned correctly. Screw all elements together with the three M6 nuts.



Mount the flue collar (supplied by the dealer) and the clamp for the upper smoke conductor with three M6x20 cylinder screws and M6 nuts.



Mount the parts in reverse order.

Installation distance in case of combustible wall

To find out whether the wall next to where the stove is going to be installed is flammable, you should contact your building contractor or the local building authorities.

The hearth should be able to accommodate the weight of the stove. The chimney must be independently supported by wall brackets or a ceiling support plate. The weight of the stove is indicated in the brochure.

The stove should always be installed on a non-combustible hearth of a size and construction that is in accordance with the provisions of the current UK Building Regulations Approved Document J.

If the stove is to be installed on a wooden floor, it must be covered with a non-combustible material at least 12 mm thick, in accordance with UK Building Regulations Approved Document J or local regulations, to a distance of 300 mm in front of the stove and 150 mm to each side measuring from the door of the combustion chamber.

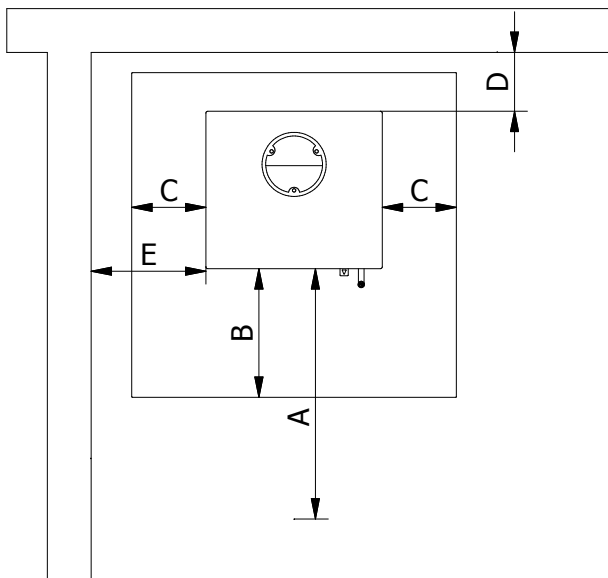
The clearance distances to combustible material beneath, surrounding or upon the hearth and walls adjacent to the hearth should comply with the guidance on the separation of combustible material given in UK Building Regulations Approved Document J and also in these stove instructions.

Placement of Q-Tee 57 / Q-Tee 65 / Q-Tee 85 (free-standing)

Installation distance in case of combustible wall

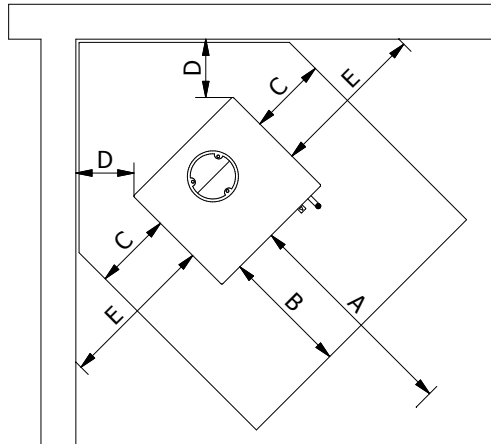
Normal set-up - corner setting

	Uninsulated flue	Insulated flue
A. Distance to furniture (min.)	650 mm	650 mm
Distance to flammable materials (min.):		
B. in front (floor)	300 mm	300 mm
C. to the side (floor)	150 mm	150 mm
D. to the rear (wall)	350 mm	275 mm
E. to the side of the wall	275 mm	225 mm



Corner setting 45° fixed socket

	Uninsulated flue	Insulated flue
A. Distance to furniture (min.)	650 mm	650 mm
Distance to flammable materials (min.)		
B. in front (floor)	300 mm	300 mm
C. to the side (floor)	150 mm	150 mm
D. to the rear (wall)	225 mm	175 mm
E. to the side of the wall	275 mm	225 mm

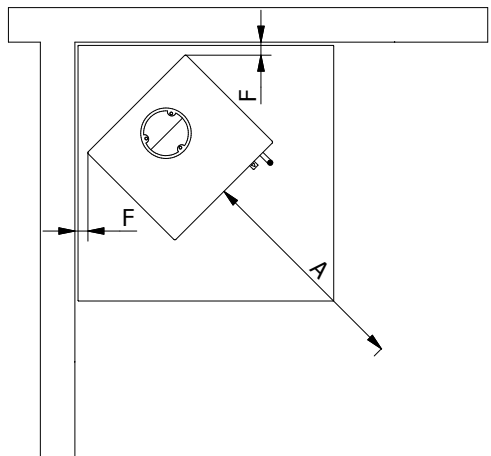


Installation distance in case of non-combustible wall

Using non insulated smoke pipe, the minimum distance to combustable wall must be 225 mm from smoke pipe.

We recommend a minimum distance to non-combustible material of 50 mm (F) for cleaning considerations.

It should always be possible to access the access door.



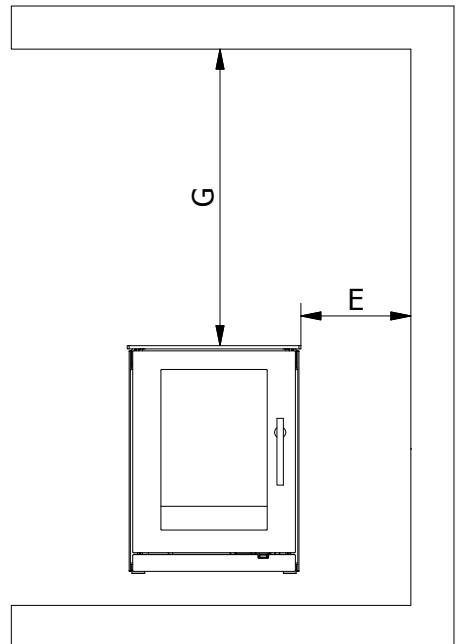
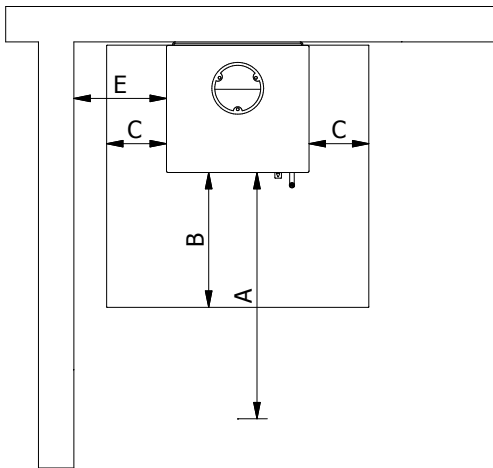
Placement of Q-Tee Wall

Installation distance in case of non-combustible back wall and combustible side wall

If the stove is to be installed above a wooden floor, it must be covered with a non-combustible material at a thickness and seize, which is in accordance with UK Building Regulations.

Normal set-up - corner setting

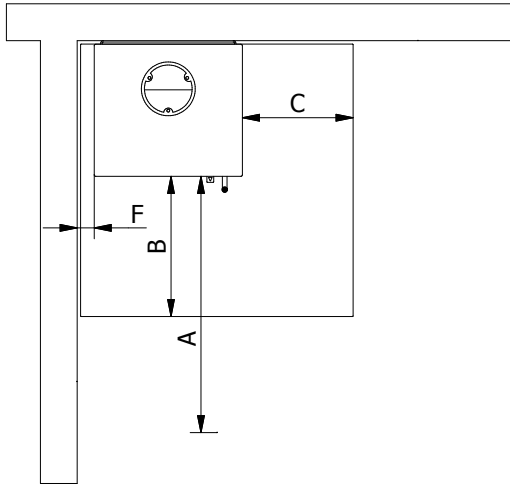
	Uninsulated flue	Insulated flue
A. Distance to furniture (min.)	650 mm	650 mm
Distance to flammable materials (min.):		
B. in front (floor)	300 mm	300 mm
C. to the side (floor)	150 mm	150 mm
E. to the side (combustable side wall)	275 mm	225 mm
G. to the ceiling	800 mm	800 mm



Installation distance in case of non-combustible wall

We recommend a minimum distance to non-combustible material of 50 mm (F) for cleaning considerations.

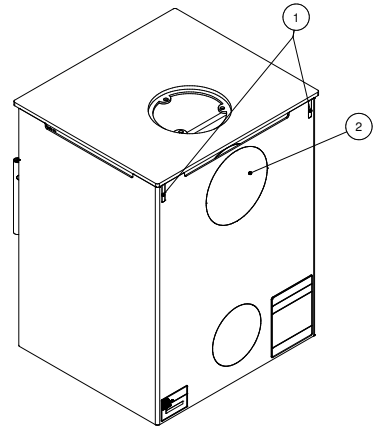
It should always be possible to access the access door.



Mounting of wall bracket and installation of Q-Tee Wall

The stove can only be mounted on non-combustible walls without cracks. Contact the chimney sweep or building expert regarding the wall's suitability. RAIS recommends that hanging and installation of RAIS Q-TEE WALL should only be done by authorized dealers.

Remove the knock-outs for the wall bracket (1) and chimney (2) at rear of the stove (see section 'Change of chimney connection'). Remove the blanking plate and the packing and mount them on the stove top outlet - please ensure that the gasket is properly seated. Parts are screwed together with 3 M6 bolts.

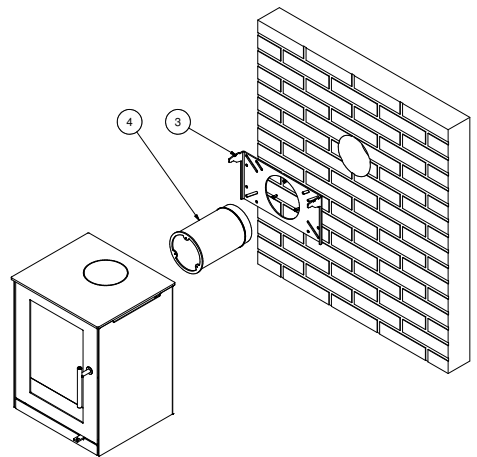


The wall bracket (3) is centered in relation to wall pipe in the wall or at the desired distance above the floor.

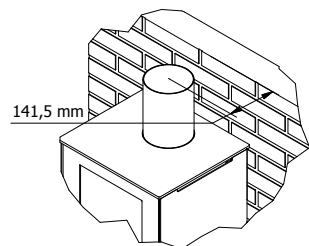
The holes are marked up through the holes in the bracket. All holes are drilled, a minimum of 2 holes must be in a brick.

The bracket is mounted with screws suitable to the type of wall. The bracket's upper edge should be horizontal. Note that the screw head is not higher than 11mm. Plastic plugs are not permitted. Bolts and other fastening material are not included in the delivery from RAIS.

The flue (4) with the seal is mounted on the back of the stove with 3 M6 screws instead of the blanking plate.



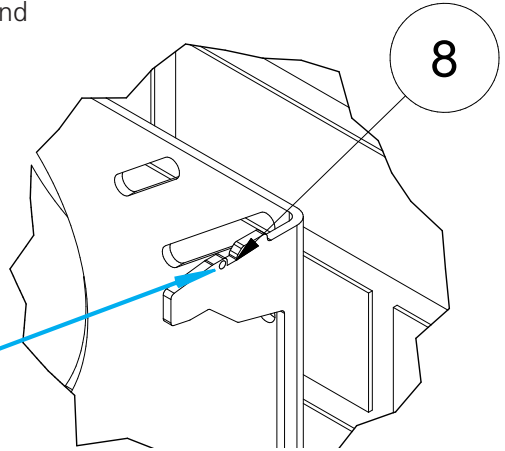
Distance from wall to center of chimney is 141.5mm.



The stove is lifted up on the wall bracket and pushed against the wall until it falls in the "notch" (8).

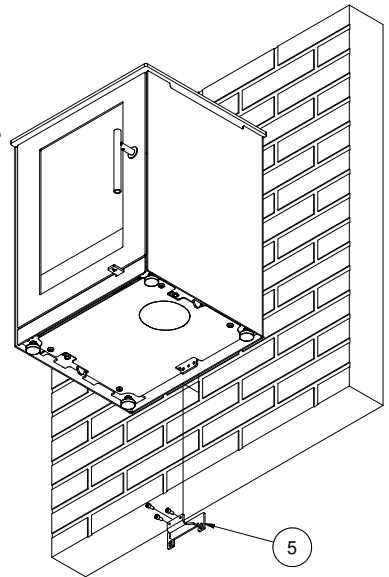
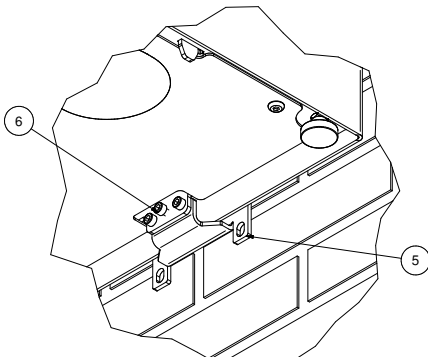
Examine that the top plate of the stove is leveled. If necessary, lift the stove from the wall and adjust the wall bracket.

M4 thread for set screws

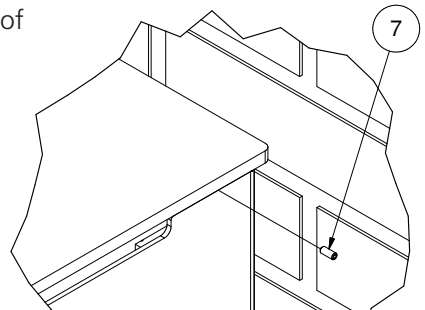


The bottom wall bracket (5) is mounted beneath the stove with 2 M6 screws (6). The middle screw (6) adjusts the stove vertically.

The bracket can be fastened to the wall if desired, however, the screws are not to be tightened because of the downward expansion of the stoves during heating.

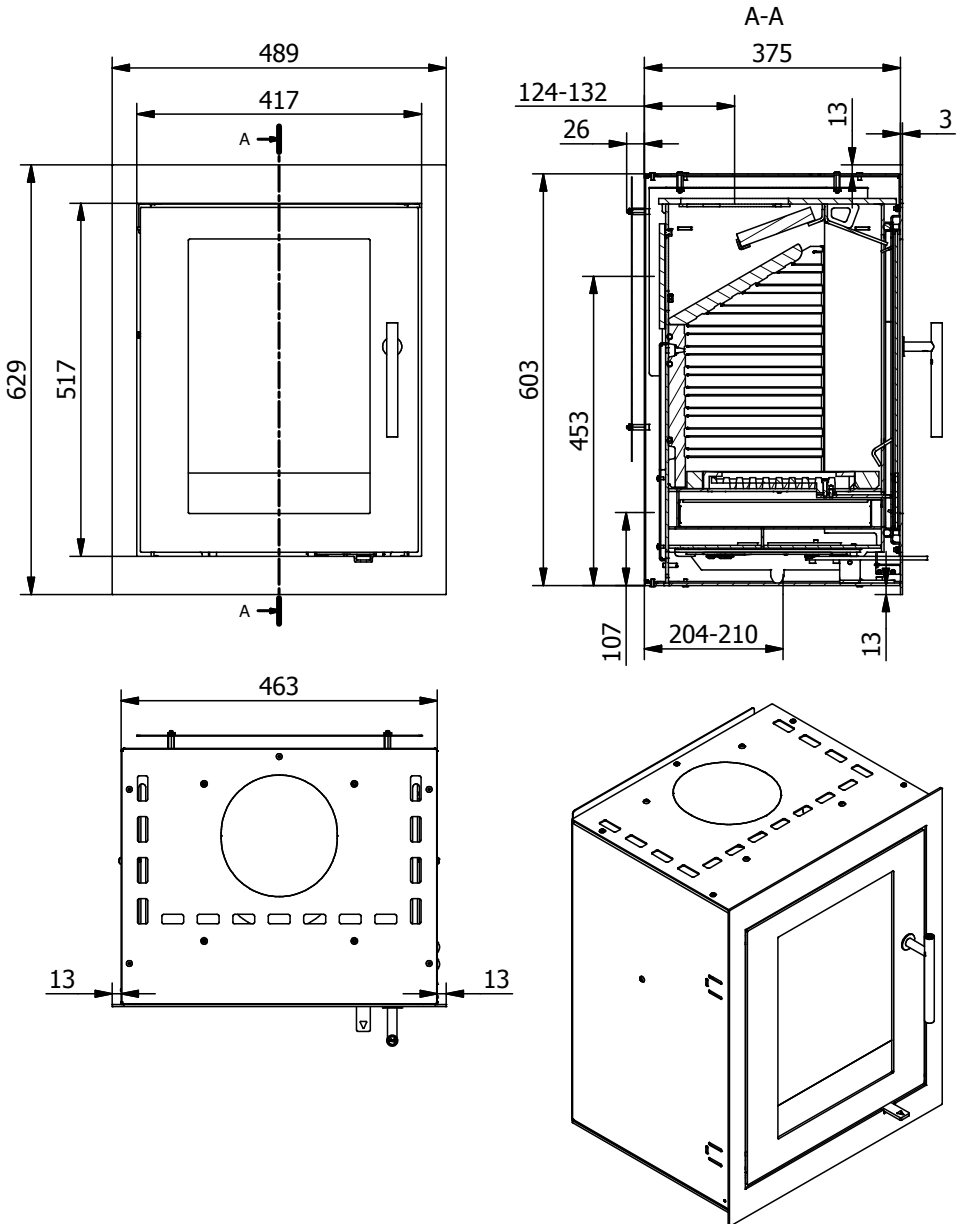


Finally 2 M4 screws (7) are screwed on each side of the bracket and locks the stove to the bracket. See the top of the page.

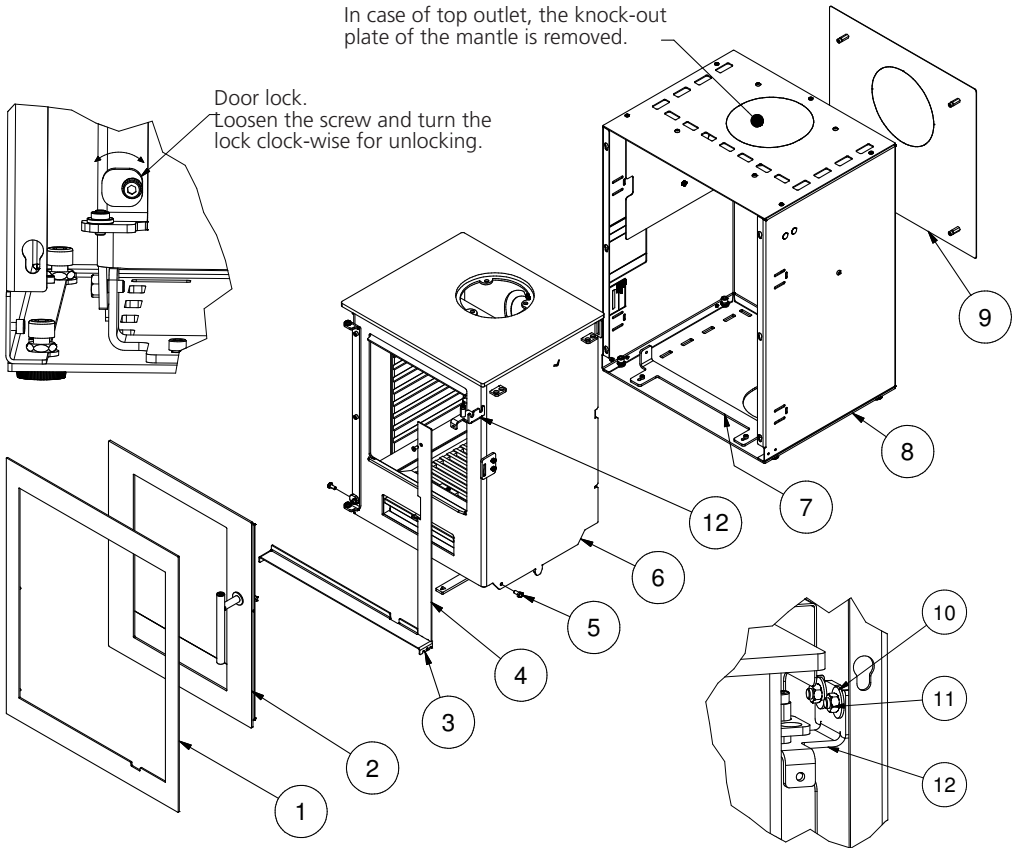


Q-Tee INSERT

Overall dimensions



Assembly Instructions



- Remove the front cover (1) and door (2) from the combustion chamber (6). Note that the door lock is to be turned clockwise before the door can be removed.
- Remove the vertical cover (4), the horizontal stop for ashes (3) and remove 2x M6 hex screws (5) between the combustion chamber and the bracket (7). The nuts (11) for the bracket (12) must only be loosened and the bracket can be removed.
- The burning chamber is removed from the mantle.
- The reflector plate (9) can be removed if the installation is with a rear brick wall, otherwise it is recommended in other installations.
- Place the mantle (8) in the wall opening - adjustment is done using the 4 set screws. Be aware that the mantle must be leveled and adjusted vertically, and can be fastened to the side wall using angle brackets or frame screws.
- The remainder of the stove is assembled in reverse order.
- Check that the cover is parallel to the wall and flush with the steel door frame (steel door), or with the door glass list (glass doors) in the closed position - if necessary, adjust the stove forward or backward.

If desired, the cover can be provided in special outer dimensions. Contact your RAIS dealer. This can be ordered with the stove.

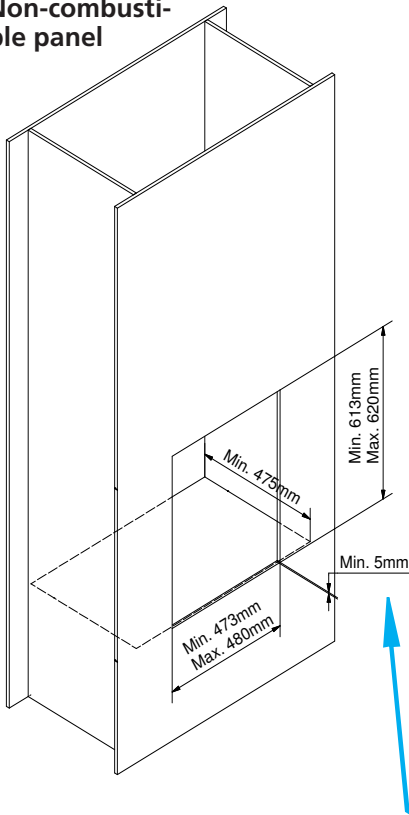
Built-in dimensions - wall opening

The wall opening is min. 613mm x 473mm (height x width).

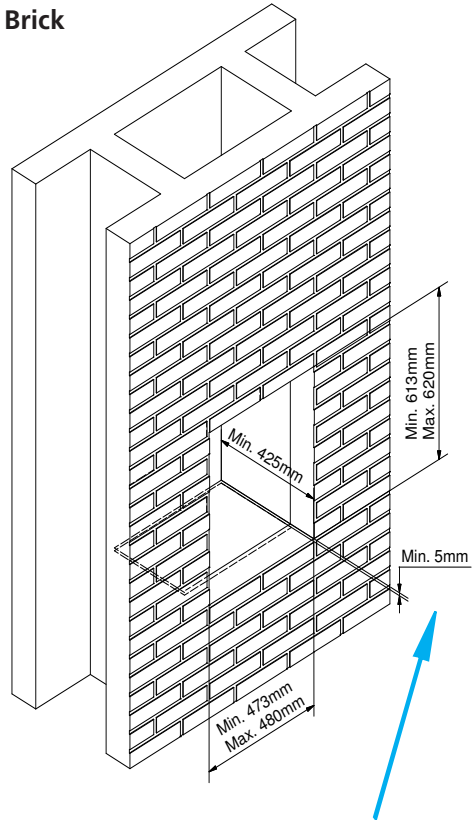
The depth is min. 475 mm (non-combustible panel) and min. 425mm (brick).

A fireplace insert must never be built in tightly as steel expands during heating.

Non-combustible panel



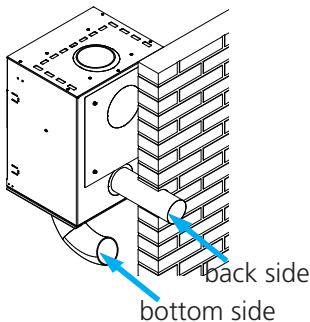
Brick



ATTENTION!

For the sake of adjustment options for set screws, level foundation must be min. 5 mm below the horizontal edge in front.

Air system



If an air system is fitted, make sure that the stove damper is supplied with fresh air from the outside, either through the back or bottom side of the stove.

For correct function of the air system, no negative pressure must occur in the housing.

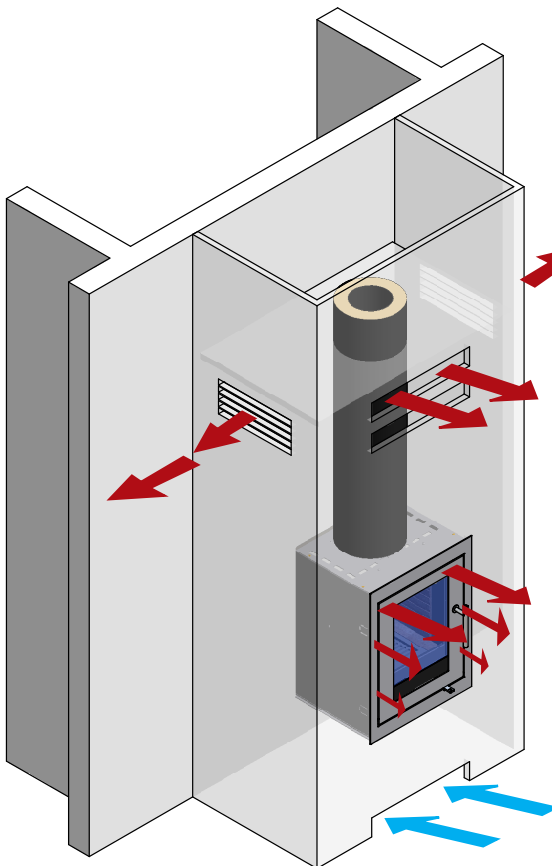
Placement of Q-Tee INSERT

Convection

RAIS stoves are convection stoves. Convection means that there is a circulation of air, which ensures that the heat is distributed more evenly throughout the entire room. The **cold air** is sucked in at the base of the stove up through the convection channel, which runs along the stove's combustion chamber. The **heated air** pours out at the top of the stove, which ensures a circulation of warm air throughout the room.

Ventilation - use the insert optimally

Consider the placement of convection and outlet holes. Ensure that the area requirements are respected and that the holes are not blocked from the outside. There may be discoloration of the wall above the stove doors, and above the convection outlet holes. This is due to the ascending hot air. RAIS accepts no liability for installation or consequential damages.



Material selection

Choose materials for panels/bricks with a thermal resistance greater than $0.03 \text{ m}^2 \times \text{K/W}$.

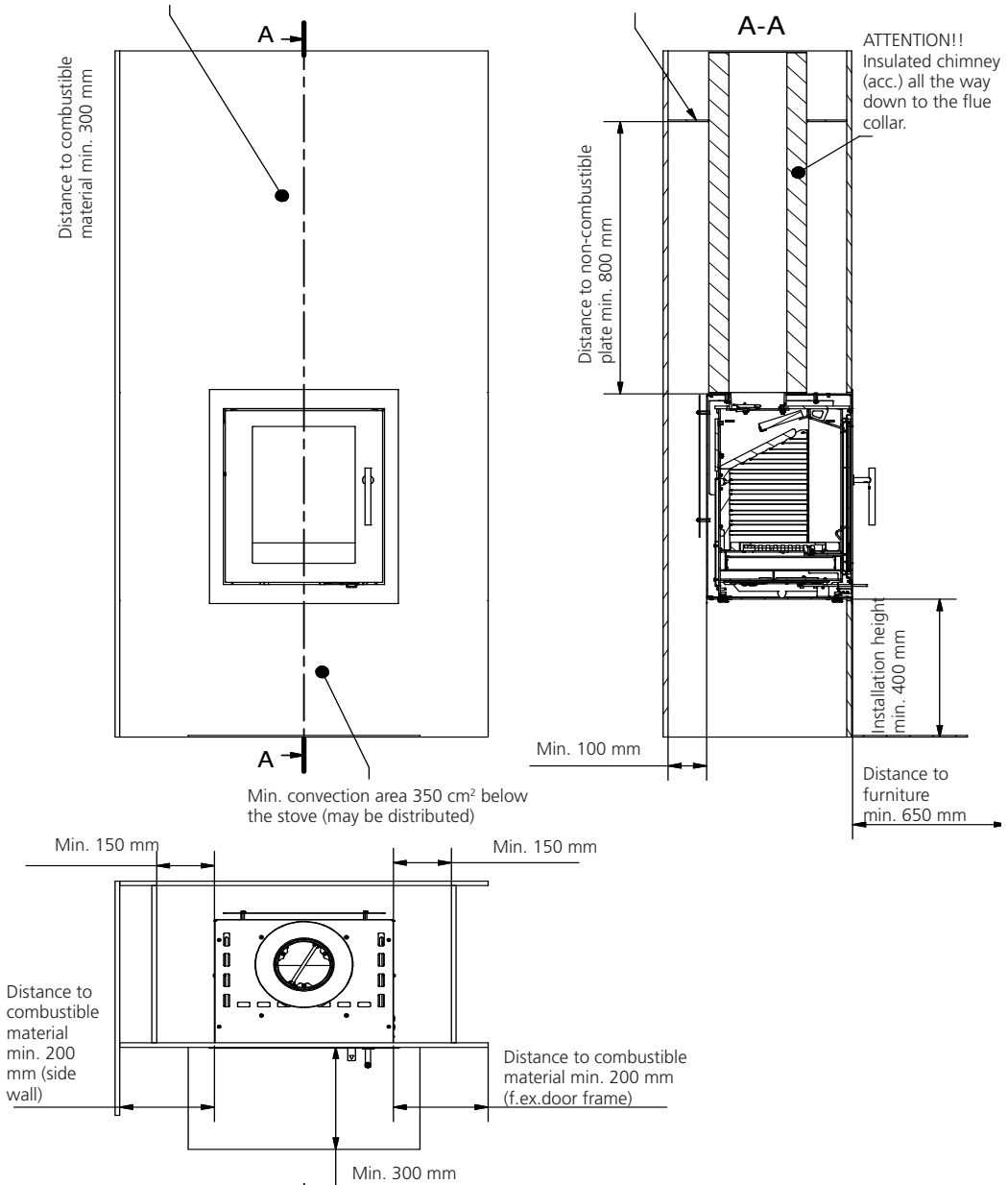
Thermal resistance is defined as the thickness (in m) divided by the wall's lambda value.

Consult with your installer/chimney sweep.

Installation distance in case of non-combustible panels

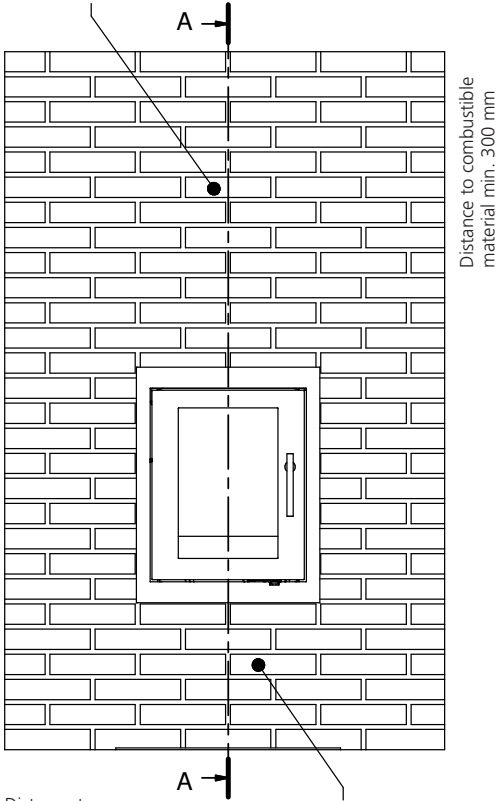
Min. convection area 600 cm² above the stove (may be distributed)

To guide the hot air out of the convection outlets RAIS recommends to mount a non-combustible plate above the outlets.



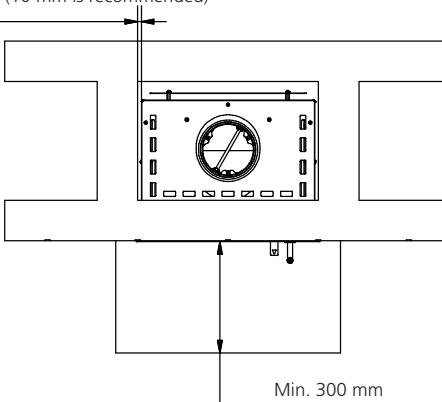
Installation distance in case of brick wall / fire wall

Min. convection area 600 cm² above the stove (may be distributed)

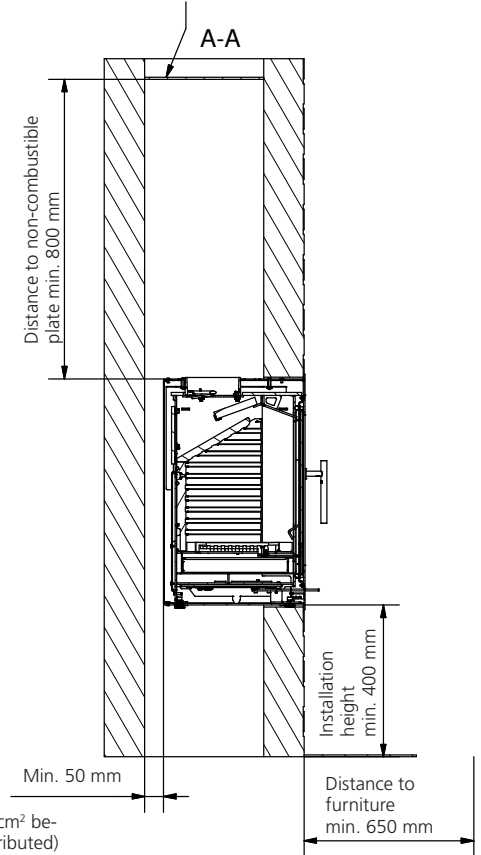


Distance to non-combustible 0 mm (10 mm is recommended)

Min. convection area 350 cm² below the stove (may be distributed)



To guide the hot air out of the convection outlets RAIS recommends to mount a non-combustible plate above the outlets.



For the Installer

Finally before firing the stove for the first time a check should be made to ensure that the assembly and stove installation has been satisfactory and that there are no leaks in any seals in the appliance and appliance connections to the chimney.

Ensure that the appliance and chimney flue are functioning correctly before finally handing over to the user. If necessary read the later parts of this manual for guidance on care required when first lighting.

Inform the user that the appliance has been commissioned and ready to use and give instruction on the safe operation of the stove.

These Instructions must be left with the user and the user should be instructed to keep them in a safe place.

Operating instructions

Please note that HETAS Ltd Appliance Approval only covers the use of dry seasoned wood logs on this appliance. HETAS Ltd Approval does not cover the use of other fuels either alone or mixed with the wood logs, nor does it cover instructions for the use of other fuels.

Fuel

The stove is designed and approved in accordance with EN 13240 and NS 3058 for stoking split, dried firewood. The firewood must have a water content of 15-22% and its max. length should be the length of the combustion chamber minus 50-60 mm.

Stoking with wet firewood causes both soot, environmental pollution and bad fuel economy. Freshly cut wood contains approx. 50-70% water and is thoroughly unsuitable for stoking. Count min. 1 year of storage time for newly cut wood before using. Wood with a diameter of more than 100 mm should be split. Regardless of wood size, it should always have at least one surface area free of bark.

We do not recommend stoking with painted, laminated or impregnated wood, wood with a synthetic surface, painted refuse wood, chipboard, plywood, domestic waste, paper briquettes and pit coal, as this will produce malodorous smoke, which could be poisonous.

When firing with the above-mentioned items and amounts larger than those recommended, the stove is subjected to a larger amount of heat, which results in a higher chimney temperature and lower efficiency. This can result in the stove and chimney becoming damaged and would void the warranty.

The calorific value of the firewood is closely connected to the moisture level of the firewood. Moist firewood has a low heat value. The more water the wood contains, the more energy it takes for this water to vaporise, resulting in this energy being lost.

ONLY USE RECOMMENDED FUELS

The following table shows the calorific value of different types of wood, which have been stored for 2 years, and which have a residual moisture of 15-17%.

Wood	Kg dry wood pr. m ³	compared to beech/oak
Hornbeam	640	110%
Beech and oak	580	100%
Ash	570	98%
Maple	540	93%
Birch	510	88%
Mountain pine	480	83%
Fir	390	67%
Poplar	380	65%

1 kg of wood yields the same heat energy irrespective of wood type. 1 kg beech merely takes up less space than 1 kg of fir.

Drying and storage

Drying wood takes time: proper air drying takes approx. 2 years.

Here are some tips:

Store the wood sawn, split and stacked in an airy, sunny place, which is protected against rain (the south side of the house is particularly suitable).

Store the firewood stacks at a hand's breadth apart, as this ensures that the air flowing through takes the moisture with it. Avoid covering the firewood stacks with plastic, as this prevents the moisture from escaping. It is a good idea to bring the firewood into the house 2-3 days before you need it.

Regulating the combustion air

All RAIS stoves are equipped with a one-handed operating lever for regulating the damper. The stove-specific regulating mechanisms can be seen on the diagrams.

Primary air is the combustion air added to the primary combustion zone, i.e. the bed of glowing embers. This air, which is cold, is only used in the lighting stage.

Secondary air is the air which is added in the gas combustion zone, i.e. air which contributes to the combustion of the pyrolysis gasses (preheated air, which is used for the cleaner glass system and combustion). This air is sucked through the damper under the combustion chamber and is pre-heated through the side channels and then emitted as hot scavenging air onto the glass. The hot air rinses the glass and keeps it soot-free.

The tertiary channel, which can be seen at the top of the combustion chamber towards the back, serves to combust the final gas residues.

By setting the interval between position 1 and 2, the energy content in the firewood is used optimally, as there is oxygen for combustion and for the burning of the pyrolysis gasses. When the flames are a clear yellow the damper has been set correctly. Finding the correct position comes with time after you have used for stove for a while.

It is not recommended that you turn it down completely. A mistake commonly made is shutting the damper too early because it feels too hot. This results in dark smoke emanating from the chimney and in the calorific value of the firewood not being used to its fullest.

Room ventilation and stoves

There must not be an extractor fan fitted in the same room as the stove as this can cause the stove to emit smoke and fumes into the room.

The stove requires a permanent and adequate air supply in order for it to operate safely and efficiently.

In accordance with current Building Regulations the installer may have fitted a permanent air supply vent into the room in which the stove is installed to provide combustion air. This air vent should not under any circumstances be shut off or sealed.

Using the wood burning stove

Adjustment of the air damper - the damper has 3 settings
(see front of manual)

Position 1

The damper is almost closed meaning that there is a minimal air intake.

Position 2

Pull the lever until first click. This position gives full secondary air.

During normal stoking the lever is set between position 1 and 2. When the flames are clear and yellow, the damper is set correctly, i.e. resulting in a slow / optimal burning.

Position 3

Pull the lever until next click.

The air damper is completely open and gives full primary and secondary air. The position is for the lighting stage and is not used under normal operation.

Control

If the ash is white and the walls in the combustion chamber soot-free after the stove has been used, the air regulation was set correctly and the wood was sufficiently dry.

First usage

A careful start pays off. Start with a small fire, so that the wood burning stove can get accustomed to the high temperature. This gives the best start and any damage is avoided.

Be aware that a strange odour and smoke concoction may emanate from the surface of the stove, the first time you fire up. This is because the paint and materials need to harden. The odour disappears quickly, but you should check the ventilation and draught, if possible. See also, the **IMPORTANT** warning notice below about persistent fumes.

During this process you must be careful not to touch the painted surfaces, and it is recommended that you regularly open and close the door to prevent the door seal from sticking.

The stove may also produce “clicking noises” during heating and cooling, caused by the large temperature differences which the material is subjected to.

Never use any type of liquid fuel for kindling or maintaining the fire. You could be at risk of explosion.

The stove gets very hot when in use always wear protective gloves when tending the stove.

If the stove has not been used for a while, follow the steps as if you were using it for the first time.

IMPORTANT - Warning Note!

Properly installed, operated and maintained this appliance will not emit fumes into the dwelling. Occasional fumes from de-ashing and re-fuelling may occur. However, persistent fume emission is potentially dangerous and must not be tolerated. If fume emission does persist, the following immediate actions should be taken:

- (a) Open doors and windows to ventilate room.
- (b) Let the fire out or eject and safely dispose of fuel from the appliance.
- (c) Check for flue or chimney blockage, and clean if required.
- (d) Do not attempt to relight the fire until the cause of the fume emission has been identified and corrected. If necessary seek expert advice.

IMPORTANT - Warning Note!

Do not use an aerosol spray on or near the stove when it is alight.

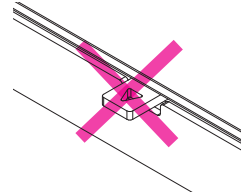
IMPORTANT - Safety advice!

When using the stove in situations where children, aged and/or infirm persons are present a fireguard must be used to prevent accidental contact with the stove. The fireguard should be manufactured in accordance with BS 8423:2002 (Replaces BS 6539).

Warning!!

If the firewood is only burning slowly without flames or is smoking, and too little air is added, unburned exhaust gasses are developed. Exhaust gasses can be ignited and explode, leading to damage to material and possibly personal injury.

Never close the air supply completely when lighting a fire in the stove.



If there are only a few embers remaining you must light the fire again.

If you just add firewood the fire will not be lit, but unburned exhaust gasses will develop.



Here firewood has been added to an ember layer which is too small, and the air flow is too small - smoke is developed.



Avoid heavy smoke - danger of exhaust gas explosion.

In case of very heavy smoke, open the damper and light the fire again.

Cleaning and care

Glass

Most woodstoves use a ceramic glass product which is resistant to heat but requires cleaning to keep its appearance.

Soot or opaque marks can easily be cleaned if the marks are fresh, however if you leave the glass dirty for any length of time the acid from the wood can etch the surface of the glass permanently (wet unseasoned wood, soft wood such as used in the building industry, pallet wood should be avoided).

Only clean when cold.

Use only stove glass cleaners to remove heavy tar/ soot deposits.

All other marks can normally be removed with a damp cloth, then dry with a clean cloth or newspaper, do not let the glass dry before applying a dry clean cloth.

With more stubborn marks i.e. Opaque areas / frosting, you need to put a small amount of wood ash on a clean damp cloth. If the opaque mark /frosting, doesn't come out, contact your dealer for a special remover.

Paint finish

The appliance has been coated with a high temperature paint which can last for years. Do not clean with a damp cloth or any cleaning products as they can cause rust or discolouration. Only clean when cold use a brush with soft bristles or dust with a lint free cloth

Only re-spray when necessary.

The wood burning stove and the chimney must be serviced by a chimney sweep twice a year. During cleaning and care, the stove must be cold.

Cleaning the combustion chamber:

Scrape/shovel the ash out and store it in a non-flammable container until it has cooled down. You can dispose of ash with your normal household waste.

REMEMBER!! Never remove all the ashes from the combustion chamber - the wood will burn at its best with a layer of ashes of approx. 20 mm.

Prolonged period of non-use:

If the stove is to be left unused for a prolonged period of time then it should be given a thorough clean to remove ash and unburned fuel residues. To enable a good flow of air through the appliance to reduce condensation and subsequent damage, leave the air controls fully open.

Prior to a new heating season, it should be checked that the chimney and smoke gas connector are not blocked.

Cleaning of flue way

The flue ways consist of a smoke converter plate and a smoke chicane. Both parts are made of vermaculit. Handle these parts carefully.

Remove the smoke converter plate by tilting it to one side and turning it a little slant-wise.

Pull out the plate carefully.



Then remove the smoke chicane by pushing it backwards, tipping it up on one side and turn slightly tilted. Carefully lift out the smoke chicane.



Remove dirt and dust, and mount the parts in reverse order.

Interruption of operation

Smoke spillage around door:

Could be due to too low draught in the chimney <12Pa

- Check whether the flue or chimney is blocked
- check whether the extraction hood is switched on; if it is, switch it off and open a window/door in the proximity of the stove for a short while.

Soot on glass:

Could be because the firewood is too wet.

- make sure that the stove is heated properly when firing up, prior to closing the door

Could be because the damper regulation is too low.

A stove burning too strong could be caused by:

- leak around the door seal
- chimney draught too large >22 Pa, draught control regulator should be installed.

A stove burning too weakly could be caused by:

- too little firewood
- too little air supply for room ventilation
- unclean smoke channels
- leaky chimney
- leakage between chimney and flue

If your stove continues to malfunction, we recommend that you contact your RAIS distributor or chimney sweep.

IMPORTANT!! To ensure safe burning there must be clear yellow flames or clear embers at all times. The firewood should not be smouldering. Therefore you should never completely cut off the air supply.

WARNING!!

In case of chimney fire:

- shut off all air supply on the wood burning stove
- contact the fire department
- never attempt to put out fire with water!
- afterwards, you should ask your chimney sweeper to check the stove and chimney

If the firewood is only burning slowly without flames or is smoking, and too little air is added, unburned exhaust gasses are developed.

Exhaust gasses can be ignited and explode, leading to damage to material and possibly personal injury.

Never close the air supply completely when lighting a fire in the stove.

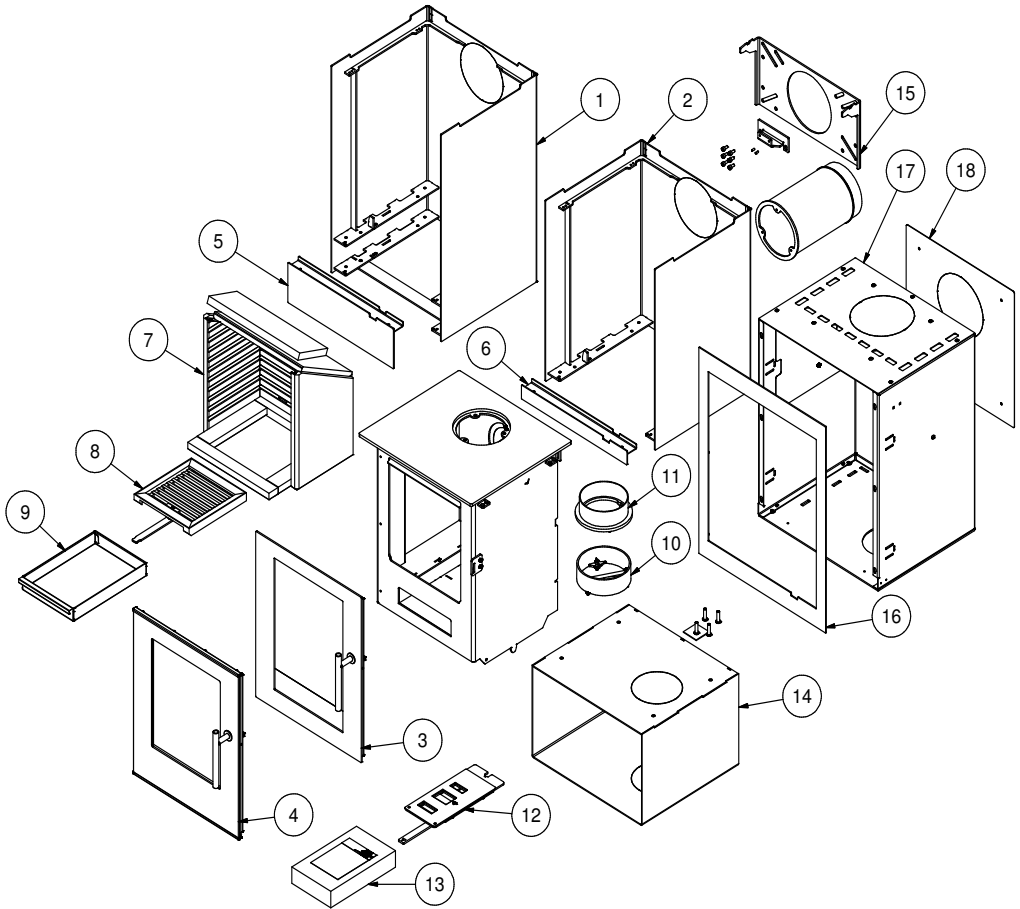
Spare parts Q-Tee

If spare parts other than those recommended by RAIS are used, the warranty is voided.

All replaceable parts can be bought as spare parts from your RAIS distributor.
For reference see spare parts drawing Q-Tee (front of the user manual).

Pos.	Quantity	Part no.	Description
1	1	835010390	Mantle Q-Tee 65
2	1	835010290	Mantle Q-Tee 57
3	1	8352090	Steel door
4	1	8351090	Glass door
5	1	835050490	Cover Q-Tee 65
6	1	835052490	Cover Q-Tee 57
7	1	8352200	Fire brick set
8	1	8353800	Shaking grate
9	1	8354001	Ash pan
10	1	61-00	Flue collar 6"
11	1	61-105	Flue collar 5"
12	1	8350990	Air damper
13	1	8355500	Seal set
14	1	835040190	Socket
15	1	837650490	Wall bracket/flue
16	1	836140190	Standard front cover
17	1	836010190	Mantle Q-Tee insert
18	1	8364101	Reflector plate, back side

Spare parts



DECLARATION OF PERFORMANCE

Regulation (EU) 305/2011 No. 0001 — CPR-2013/07/01

No.: 836

- Unique identification code of the product-type
RAIS Q-TEE INSET
- Type
Inset appliance burning solid fuel without hot water supply
- Intended use
Domestic room heater
- Manufacturer
RAIS AS
Industrielle 20, Vingean
DK-5900 Frederikshavn,
Denmark
n/a
- Authorized representative
RAIS AS
Industrielle 20, Vingean
DK-5900 Frederikshavn,
Denmark
www.rais.com
- System of assessment
System 3
- Notified body
The notified laboratory
Danish Technological Institute - Identification no. 1235
Technologiparken, Kongens Lyngby, DK-2600 Århus C
performed the determination of the product type on the basis of type testing under system 3 and issued test report

- 300-ELAB-1625-EN-SIK
- 300-ELAB-1621-EN-Rev-1

- Declared performance
EN 13229-2001/A2-2304IAC-2007

Essential characteristics	Performance
Fire safety	A1
Reaction to fire	Rear Sides Ceiling Front Floor
Distance to combustible materials Minimum distances (mm) For other installation or wall settings see instruction manual	100 150 800 650 400
Risk of burning fuel falling out	Pass
CO-emission of combustion products	0.1 %
Surface temperature	Pass
Electrical safety	Pass
Cleanability	Pass
Maximum operating pressure	- bar
Flue gas temperature T at nominal heat output	283 °C
Mechanical resistance (to carry a chimney/flue)	NPD
Thermal output	4.7 kW
Nominal heat output	4.7 kW
Room heating output	- kW
Water heating output	- kW
Energy efficiency η	80 %

- The performance of the product identified in points 1 and 2 is in conformity with the declared performance in point 8. This declaration of performance is issued under the sole responsibility of the manufacturer identified in point 4.

Signed for and on behalf of the manufacturer by:

Place
FREDERIKSHAVN, DENMARK

Date
02-06-2016

Signature

Henrik Nergaard, Managing Director

Place
FREDERIKSHAVN, DENMARK

Date
06-06-2016

Signature

- The performance of the product identified in points 1 and 2 is in conformity with the declared performance in point 8. This declaration of performance is issued under the sole responsibility of the manufacturer identified in point 4.

Signed for and on behalf of the manufacturer by:

Place
FREDERIKSHAVN, DENMARK

Date
06-06-2016

Signature

Henrik Nergaard, Managing Director

DECLARATION OF PERFORMANCE

Regulation (EU) 305/2011 No. 0001 — CPR-2013/07/01

No.: 835

- Unique identification code of the product-type
RAIS Q-TEE 57
RAIS Q-TEE 65
RAIS Q-TEE WALL
- Type
Room heater burning solid fuel without hot water supply
- Intended use
Domestic room heater
- Manufacturer
RAIS AS
Industrielle 20, Vingean
DK-5900 Frederikshavn,
Denmark
www.rais.com
- Authorized representative
RAIS AS
Industrielle 20, Vingean
DK-5900 Frederikshavn,
Denmark
www.rais.com
- System of assessment
System 3
- Notified body
The notified laboratory
Danish Technological Institute - Identification no. 1235
Technologiparken, Kongens Lyngby, DK-2600 Århus C
performed the determination of the product type on the basis of type testing under system 3 and issued test report

- 300-ELAB-1521-EN-ver1

- Declared performance
EN 13240-2001/A2-2304IAC-2007

Essential characteristics	Performance
Fire safety	A1
Reaction to fire	Rear Sides Ceiling Front Floor
Distance to combustible materials Minimum distances (mm) For other installation settings see instruction manual	Uninsulated flue 350 275 225 800 650
Risk of burning fuel falling out	Pass
CO-emission of combustion products	0.1 %
Surface temperature	Pass
Electrical safety	Pass
Cleanability	Pass
Maximum operating pressure	- bar
Flue gas temperature T at nominal heat output	283 °C
Mechanical resistance (to carry a chimney/flue)	NPD
Thermal output	4.1 kW
Nominal heat output	4.1 kW
Room heating output	- kW
Water heating output	- kW
Energy efficiency η	80 %

- The performance of the product identified in points 1 and 2 is in conformity with the declared performance in point 8. This declaration of performance is issued under the sole responsibility of the manufacturer identified in point 4.

Signed for and on behalf of the manufacturer by:

Place
FREDERIKSHAVN, DENMARK

Date
06-06-2016

Signature

Henrik Nergaard, Managing Director

EC-CERTIFICATE AND DECLARATION OF CONFORMITY

No.: 835

The undersigned, who represents the following manufacturer

Manufacturer:	RAIS A/S Industrivej 20, DK-9900 Frederikshavn, Denmark
Address:	

herby declares that the product

Product identification:	RAIS Q-TEE 57 RAIS Q-TEE 65 RAIS Q-TEE INSERT
-------------------------	-----------------------------------------------------

is in conformity with the requirements according to the following EC directive(s)
(Inclusive all valid supplementary material)

Reference no.	Title
1989/106/EC	Directive of Building regulations (89/106/EEC Construction Products – CPTD)

And that all standards and/or technical specifications mentioned on the next page have been carried out.

Last two figures, the year, where the CE-label was put on the stove: **12**

PLACE: FREDERIKSHAVN, DENMARK DATE: 02-04-2012

Signature: 

Villy Jacobsen, R&D/Quality Manager

EC-CERTIFICATE AND DECLARATION OF CONFORMITY

No.: 835

References to standards or/and technical specifications, which have been applicable to this Declaration of Conformity, or partly:

- Harmonized standards:

No.	Edition	Title	Part
EN 13240	2001	Roomheaters fired by solid fuel	
EN 13240/A2	2004	Roomheaters fired by solid fuel (Supplementary material)	
EN 13229	2001	Roomheaters fired by solid fuel	
EN 13229/A2	2004	Roomheaters fired by solid fuel (Supplementary material)	

- Other standards and/or technical specifications:

No.	Edition	Title	Part

- Other technical solutions, of which detailed information are included in the technical documentation or the technical dossier of the construction:

- OPTION: AIR-SYSTEM
- OPTION: GLASS OR STEEL DOOR
- OPTION: SOCKET
- OPTION: WALL BRACKET/FLUE

Other references or other relevant information determined by the applicable EC Directive(s):

.....
.....
.....





attika[®]
FEUERKULTUR

ATTIKA FEUER AG

Brunnmatt 16
CH-6330 Cham
Switzerland
www.attika.ch

RAIS[®]
ART  OF FIRE

RAIS A/S

Industrivej 20
DK-9900 Frederikshavn
Denmark
www.rais.dk

THE ORIGINAL