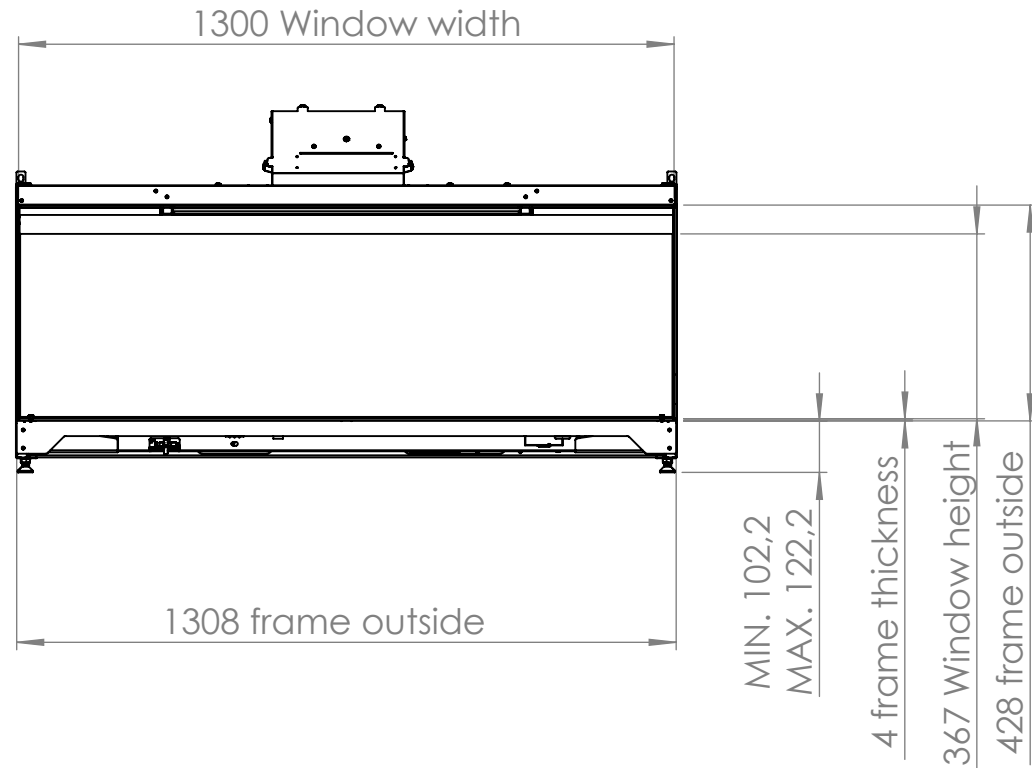
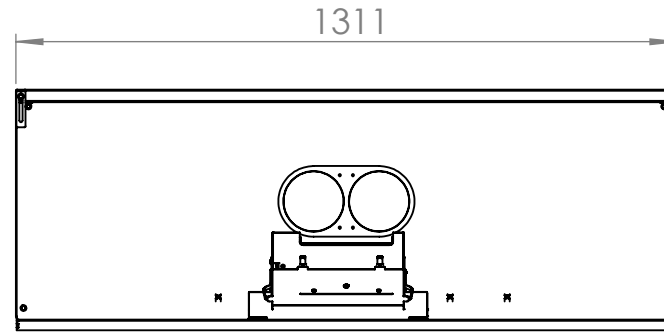
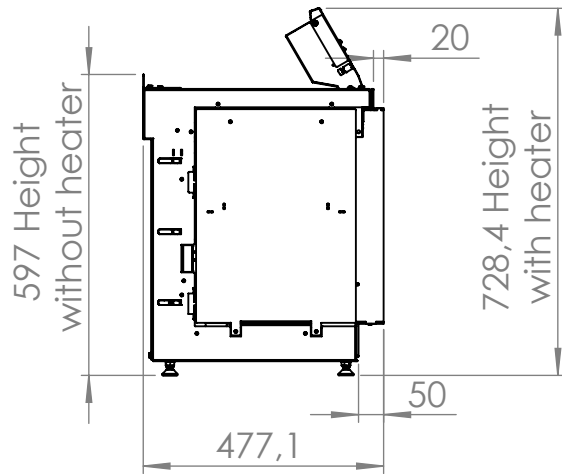
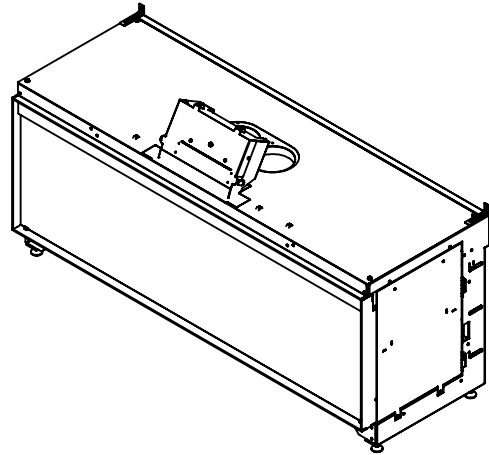


KALFIRE

FIREPLACES

E-ONE 130 F



Note:

- Minimum of 2mm clearance around frame.
- All materials must withstand a temperature of minimum 80 degrees.
- A minimum of 100 cm² of free area is required.
- Ventilation must be provided at both the bottom and top of the housing.
- No rights can be derived from this drawing.

All dimensions in mm. Modifications under reserve.

18-10-2023 sheet 1 / 1

© All rights reserved. This drawing is sole property of Kal-fire. No part of this drawing may be reproduced, or published, in any form or in any way without prior written permission from Kal-fire.