

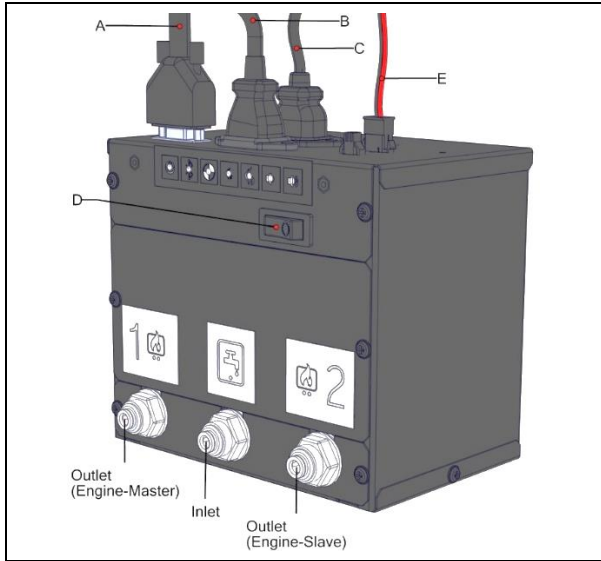
Installation manual
e-Matrix linear 1050/400 I,II,III
e-Matrix linear 1300/400 I,II,III
ENG



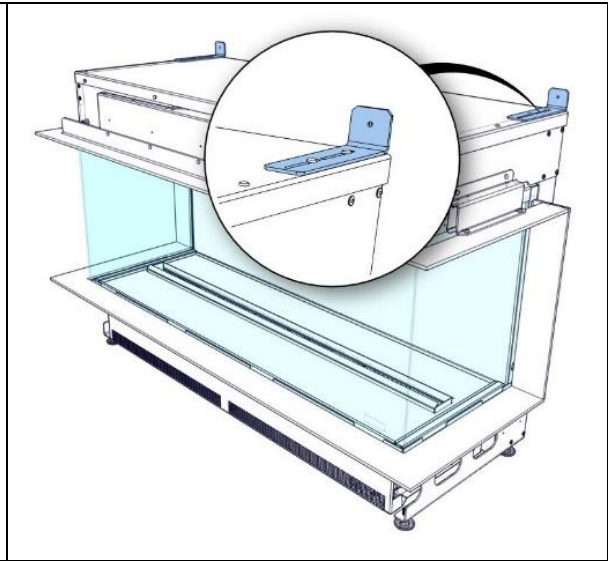
40012151-2203

 **faber**

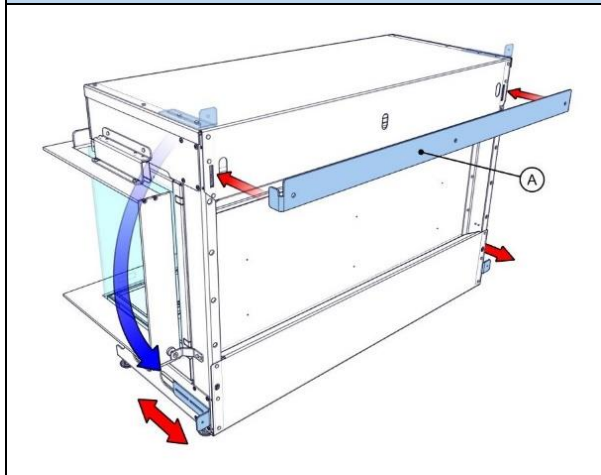




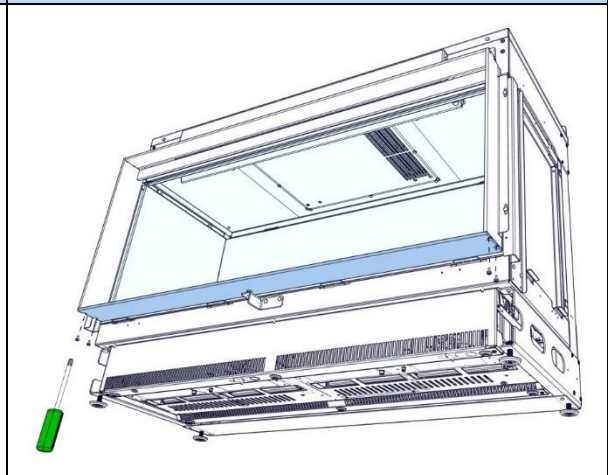
1.0



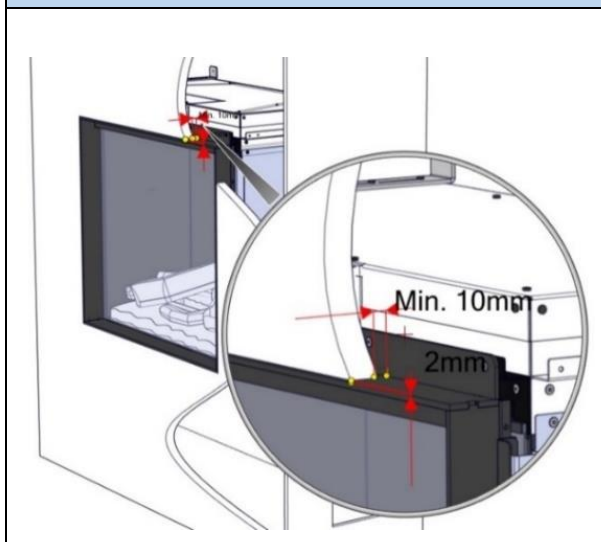
1.1



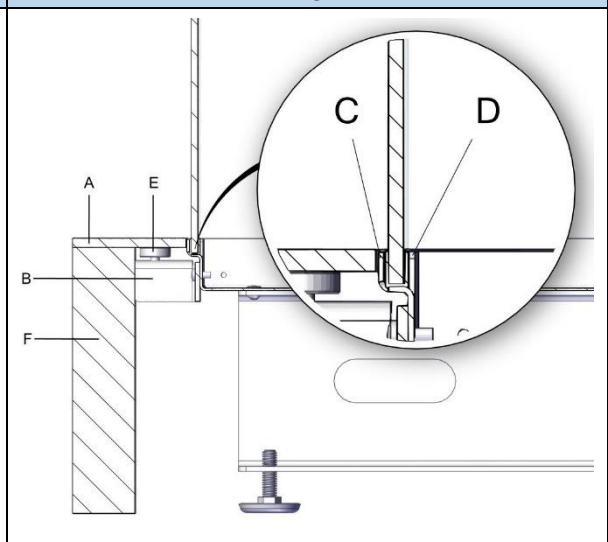
1.2



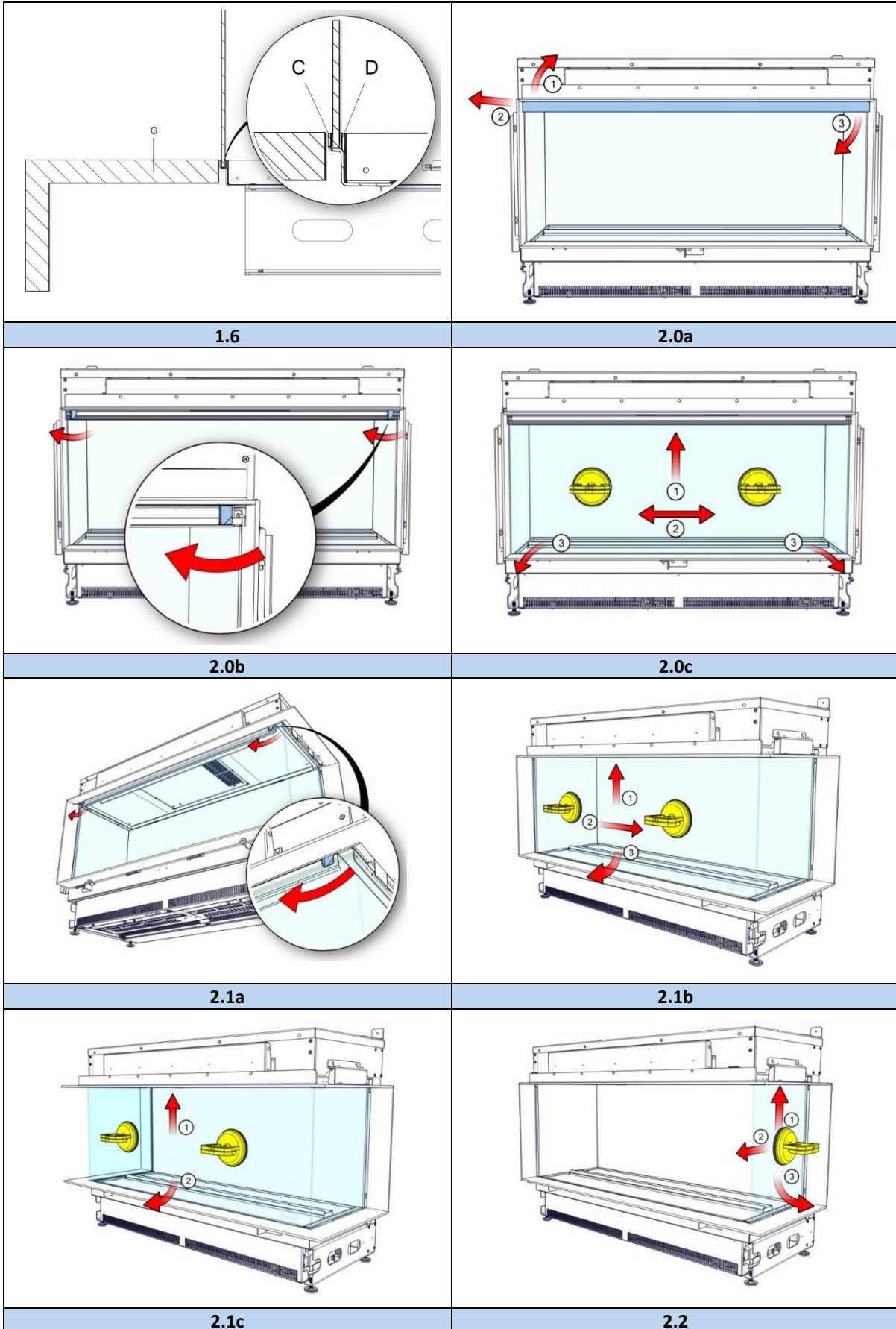
1.3

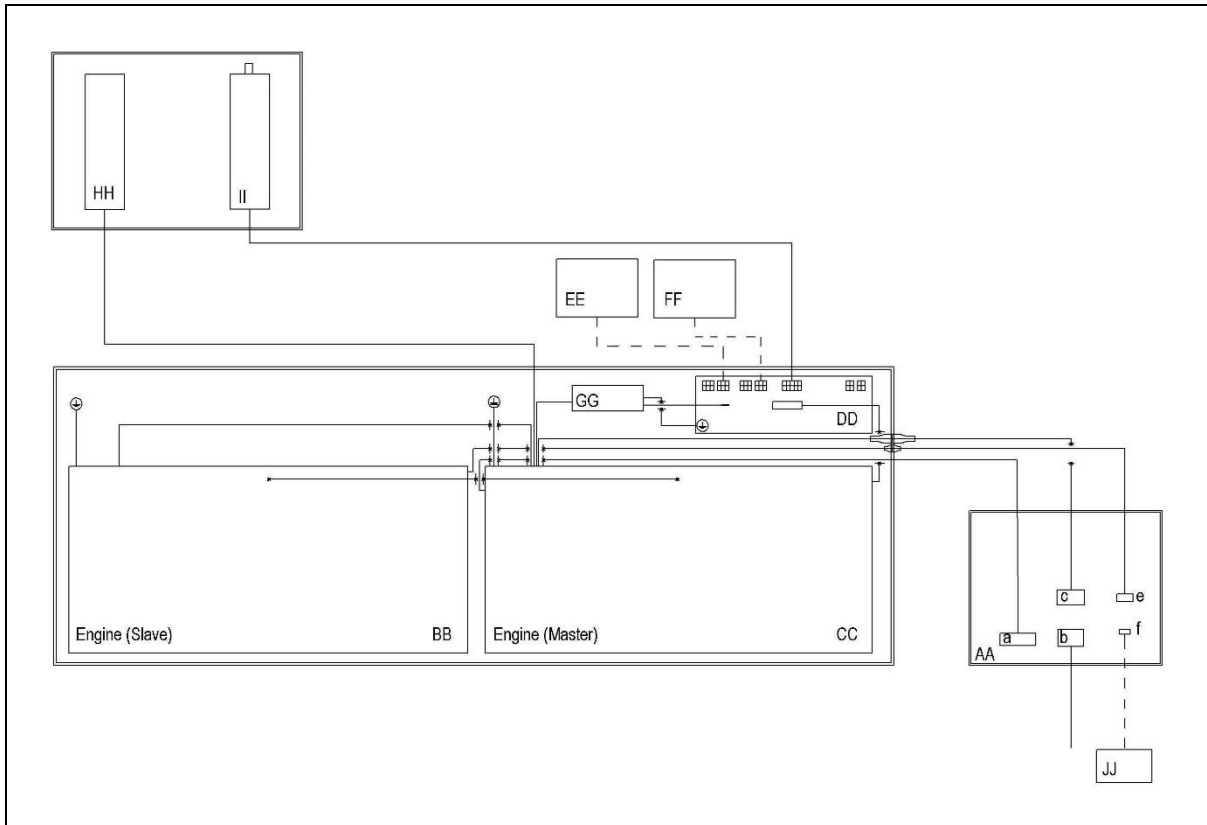


1.4

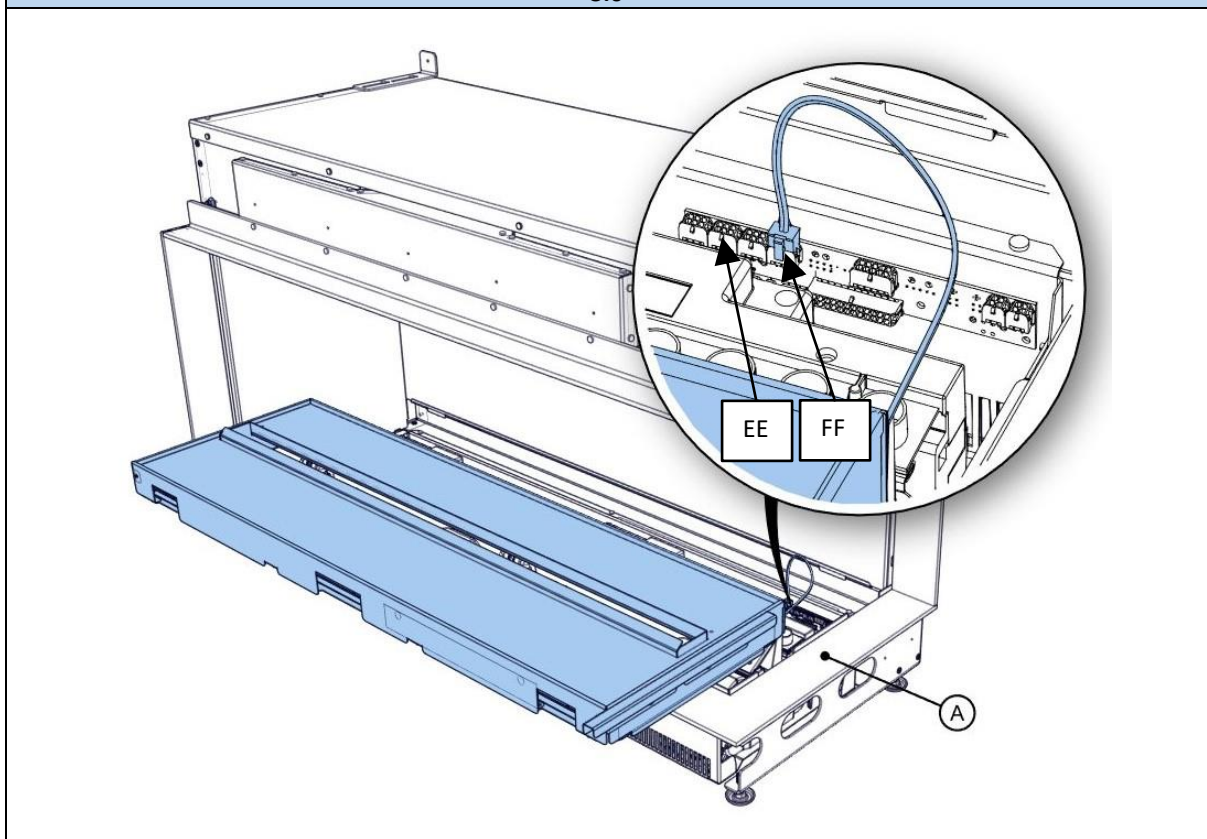


1.5





3.0



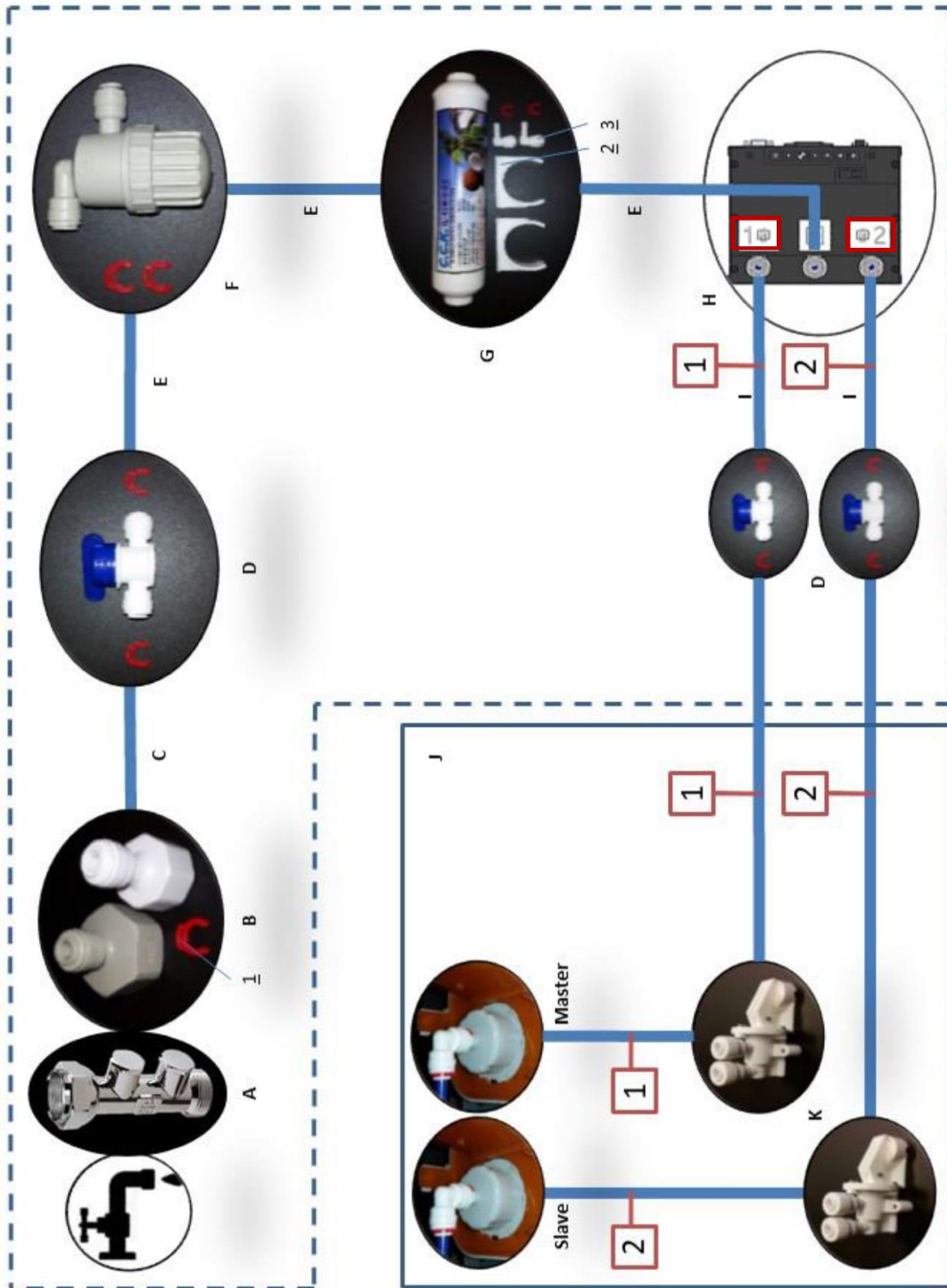
4.0



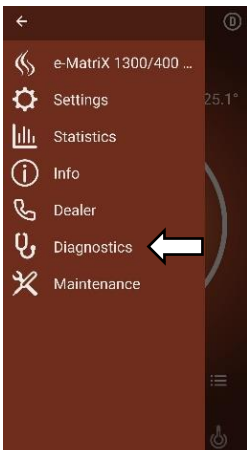
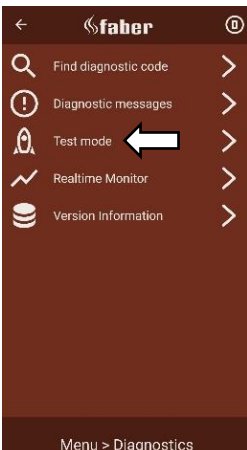

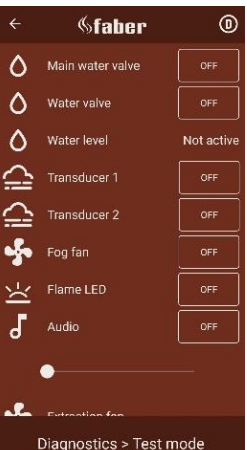



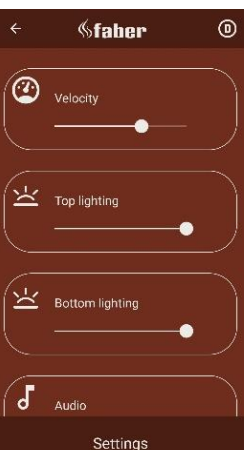
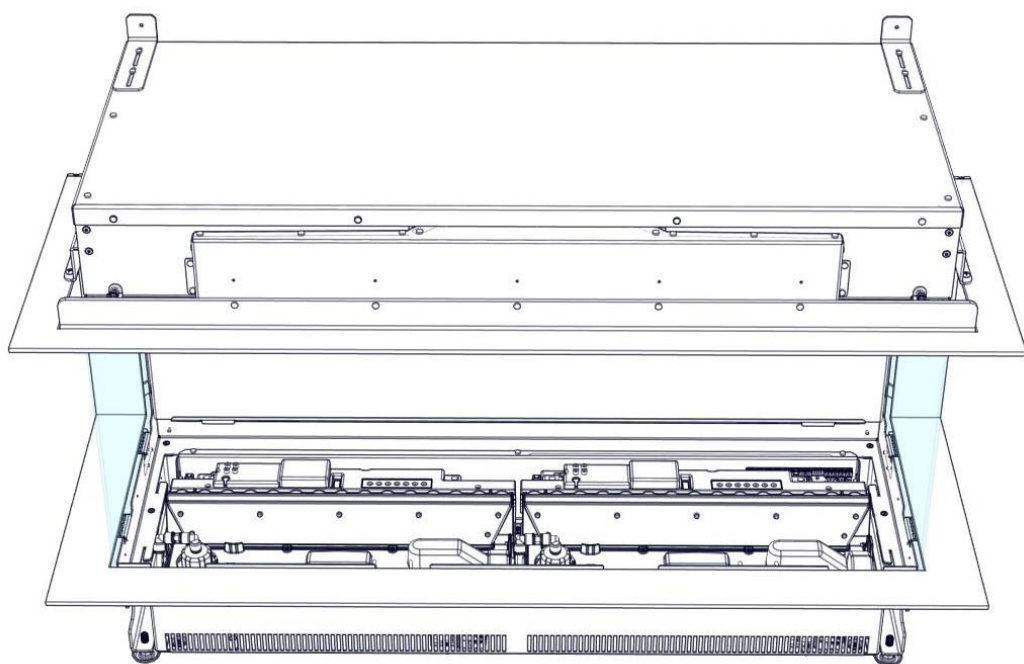
A = EA Non-return valve
 B = 1/2 or 3/4" connector
 C = 1/4" 1m pipe
 D = Valve
 E = To be cut from a 1/4" pipe length of 1 meter

F = Coarse filter
 G = Fine filter
 H = Control box
 I = 1/4" 1.5m pipe
 J = Engine e-Matrix linear

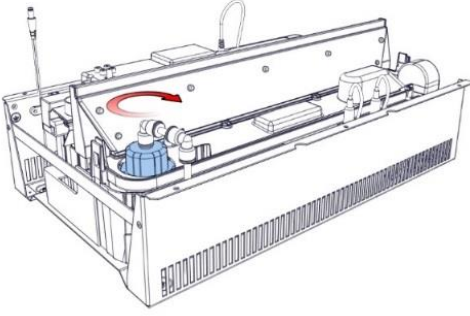
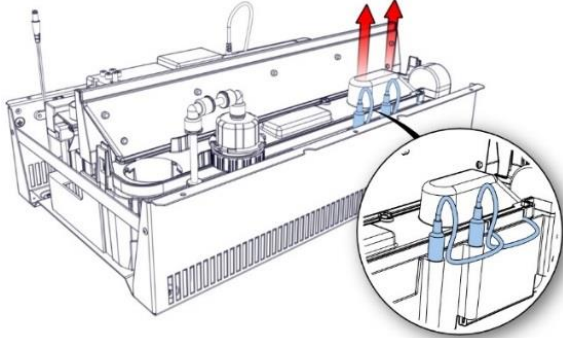
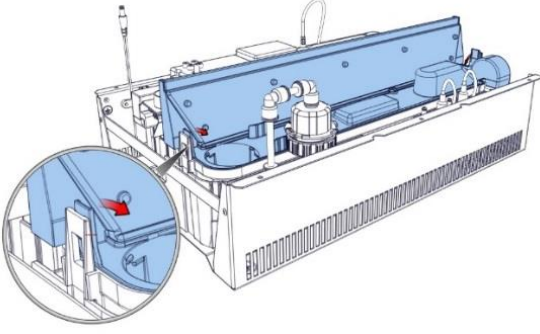
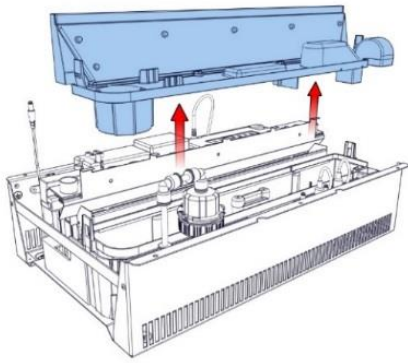
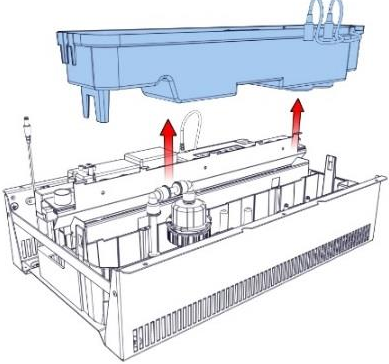
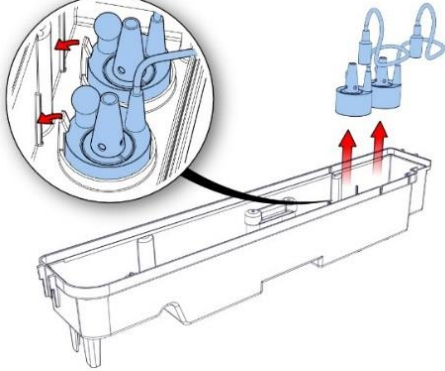
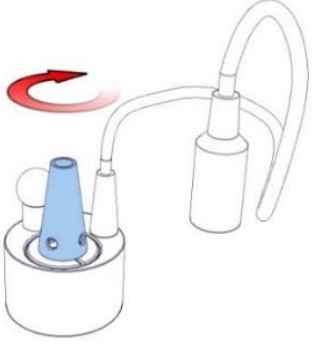
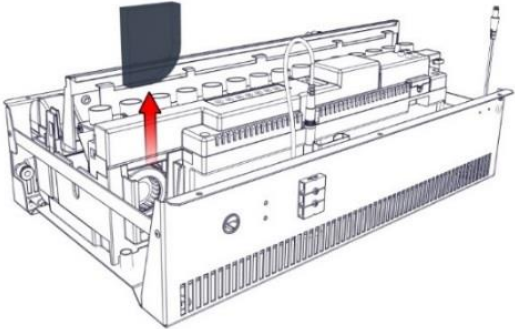
1 = Safety clip (11x)
 2 = Brackets (2x) fine filter
 3 = Knee coupling (4x)



5.0

			
6.0	6.1	6.2	6.3
			
7.0	7.1	7.2	7.3
			
8.0			



	
<p>8.1</p>	<p>8.2</p>
	
<p>8.3</p>	<p>8.4</p>
	
<p>8.5</p>	<p>8.6</p>
	
<p>8.7</p>	<p>9.0</p>



1 Dear user

Congratulations on your purchase of a Faber fire! A quality product from which you will experience warmth and atmosphere for many years. We recommend that you read this manual carefully before using the fireplace. If any problem arises despite our strict quality control, you can always contact your dealer or Glen Dimplex Benelux B.V.

For any warranty claims, it is essential you first register your fireplace.

➤ **Please note!**

The details of your fireplace can be found in the user manual.

You can register your fire at: www.faberfires.com

Glen Dimplex Benelux B.V.

Address: Saturnus 8

NL-8448 CC

Heerenveen

Tel: +31 (0)513 656 500

Email: contact@faberfires.com

Info: www.faberfires.com

1.1 Introduction

Only have the fire installed by a qualified installer according to the water and electric safety Regulations. Read this installation manual properly.

Where the installation instructions are not clear, national/local regulations must be followed.

1.2 Check

- Check the fire for transport damage and report any damage immediately to your supplier.
- Check whether all of the parts below are included:
 - Control box;
 - Remote (incl. batteries);
 - Ash material;
 - Suction cups (2x);
 - Remote access door;
 - Spare transducers (2x) and sponge.

1.3 CE declaration

We hereby declare that Glen Dimplex Benelux B.V. released Faber heating appliance by its design and construction method complies with the European Safety Standards EN60335-2-30 and the European Standard Electromagnetic Compatibility (EMC) EN55014, EN60555-2 and EN60555-3 these cover

the essential requirements of EEC Directives 2014/35/EU and 2014/30/EU.

Product: electric fire Opti-myst.

Model: e-Matrix linear 1050/400 I,II,III

e-Matrix linear 1300/400 I,II,III

This declaration will become null and void as soon as the unit is in any way modified without written authorization of Glen Dimplex Benelux B.V.

2 Safety instructions

- Do not use outdoors.
- Do not use in the immediate surroundings of a bath, shower or swimming pool.
- The fire must be installed according to this manual.

3 Installation requirements

3.1 Water supply

- Install a water connection with an ½" or ¾" external thread connection, placed at an accessible location.
- Install an EA backflow protection valve, this is not included with the appliance.
- Water pressure on the appliance between 0,5 and 8 Bar. Where required, use a pressure reducing valve.

3.2 Power supply

Electric connection -230VAC/50Hz earthed and placed at an accessible location.

4 Preparation and installation instructions

4.1 Preparing the fire

- Make sure that all packaging materials have been removed.
- Remove the packaged parts.
- Remove the front glass, see chapter 5.

4.2 Placing the fire

➤ **Please note!**

- Always the fire must be fitted with the back to a wall.
- The fitting of a chimney breast is mandatory.
- For a proper functioning of the fire, always ensure that the fire is levelled.

Floor standing

Place the fire in the correct position and fix it to the wall, see fig. 1.1.



Hanging on the wall (fig. 1.2)

The fire can be mounted on the wall using the optional wall bracket "A" (see also dimensional drawing in chapter 10.10 or 10.11). Remove the brackets (on top of the appliance) and mount them on both sides. Now they can be used to level the appliance vertically.

4.3 Installation and finishing

See fig. 1.5 and fig. 1.6.

- A = cover strip
- B = built-in support
- C = glass support
- D = top of the slot (glass)
- E = magnet / bolt (adjustable)
- F = false chimney breast
- G = plateau

With cover strip (fig. 1.5)

e-MatriX I:

Build the false chimney breast against cover strip A and built-in support B.

e-MatriX II and III:

- Don't build the false chimney breast (incl. cover strip) higher than point D.
- Adjust the magnets and bolts 6mm lower than point D.

Without cover strip (fig. 1.6)

➤ **Please note!**

At the e-MatriX front glass only versions, the cover strip is fixed by screws, remove those first, see fig. 1.3.

Remove built-in support B from the fire. Build the false chimney breast against glass support C.

4.4 Control box (see fig. 1.0)

➤ **Please note!**

Fix the Control box at an accessible location behind the service door, see dimensional drawing 10.9 and 10.12.

Connection of the control box to the e-MatriX, see fig. 1.0:

- A = control cable, 9 pole
- B = power cord (power supply Control box)
- C = extension cable (power supply Control box to Engine (Master))
- D = main switch on/off
- E = cable Control box to Engine (Slave), 2 pole

F = external water pump connection (optional)

Electrical connection:

➤ **Please note!**

Connect all plugs according to the diagram, see fig. 3.0.

- AA = control box
- BB = Engine (Slave)
- CC = Engine (Master)
- DD = printed circuit board
- EE = top lighting (optional)
- FF = bottom lighting (optional)
- GG = power supply LED
- HH = fan heating
- II = fan extraction
- YY = external water pump (optional)

1. Lead control cable A, from the Engine to the Control box and connect it, see fig. 1.0-A.
2. Connect the supplied extension cable C to the Control box, see fig. 1.0-C. *(Max. cable length from the center of the fire to the left / right is 0.75m).*
3. Lead cable E, from the Engine (Slave) to the Control box, see fig. 1.0-E.
4. Connect the supplied power cord B to the Control box, see fig. 1.0-B.

If desired, a 2m extension set is available (The existing cables are extended by 2m), item number 20901578.

Water connection

➤ **Please note!**

Connect all parts according to the flow diagram. See fig. 5.0.
Place the water filters, in the correct direction of flow, in an accessible location. There is a "flow direction" mark on both filters.

Water inlet

Connect the water supply pipe to the middle water connection of the control box.

Water supply to the Engines

The two blue flexible supply pipes protruding from the side of the fire are marked with numbers 1 and 2. Connect these pipes to the same numbers on the control box.



Assemble the flexible water pipe

Press the blue flexible pipes 15mm in a coupling piece. When mounting correctly, you feel resistance that you have to push through. Check the connection by pulling the pipe. Secure the connection with the supplied red / or blue safety clips.

➤ **Please note!**

A watertight connection is only guaranteed with safety clips.

Disassemble the flexible water pipe

Remove the red or blue safety clip. Push the water pipe in the coupling, hold the flange in its position and pull the water pipe out of the coupling.

This appliance is equipped with the following (overflow) protections:

- Electromechanical valve in the Control box that is controlled by sensors in the water tank.
- Absorption valve in the Engine that kicks in when the water sump has an unexpectedly overflow, see fig. 5.0-K.

4.5 LED lighting (optional)

LED bottom lighting

The bottom lighting, which is located in the bottom plate, can be switched on and off with both the remote control and the App. (See user manual). See fig. 3.0-FF and 4.0 for the position of the connection of the bottom lighting.

LED top lighting

The top lighting can be switched on and off with both the remote control and the app. (See user manual). See fig. 3.0-EE and 4.0 for the position of the connection of the top lighting.

Removing the bottom plate with LED lighting

➤ **Please note!**

To prevent damage / scratches, it is strongly recommended to protect the cover strip, see fig. 4.0-A. Should scratches nevertheless occur, this can only be repaired with spray paint (Order number: 09000026).

- Remove the decoration set;
- Lift the bottom plate in the middle and let it rest carefully at the front of the fire. See fig. 4.0.
- Loosen the plug connection, for this press the retaining clip of the plug. Now remove the bottom plate.

Install LED bottom lighting

- Lift the bottom plate in the middle and let it rest carefully at the front of the fire. See fig. 4.0.
- Insert the plug into the correct connector of the terminal block (see fig. 3.0-FF and 4.0) and carefully place the bottom plate. (Check that the cable will not block the outflow opening (fire opening) of the Engine).

4.6 Test mode

Do a performance test (see chapter 7) and check all water connections for leaks, before installing the decoration set and the front glass.

Functional test via the ITC-V2 app

(Only possible in dealer setting). Make sure the ITC-V2 app is connected to the fire. Navigate to *Menu* -> *Diagnostics / Test mode* and push "Activate", see fig. 6.0 to 6.3.

Per unit (Engine), all components can be tested individually for function.

All components are also checked by a self-test in the normal starting procedure. Any error messages are displayed in the App.

Click on the "exclamation mark" symbol at the top left of the screen for additional information about the notification.

4.7 Built-in structure and ventilation requirements

- The construction may not rest on the fire.
- Take into account the thickness of any finishing layer!
- Keep a minimum distance of 10mm between built-in frame and false chimney breast when using combustible material, see fig. 1.4.
- Take into account a minimum distance of 2mm due to expansion of the fireplace, see fig. 1.4.

Ventilation

- The e-Matrix needs a minimum free space of 50mm above the fire.
- The e-Matrix needs a minimum ventilation of 420cm² underneath the fire.



5 Removing glass

5.1 Front glass

e-MatriX I:

- Remove the cover list, see fig. 2.0a.
- Rotate both glass clamps clockwise, see fig. 2.0b.
- Place suction cups and remove the front glass see fig. 2.0c.

For replacing the glass repeat the steps in reverse order.

e-MatriX II and e-MatriX III:

- Rotate both glass clamps clockwise, see fig. 2.1a.
- Place suction cups and remove the front glass, see fig. 2.1b or 2.1c.

For replacing the glass repeat the steps in reverse order.

5.2 Side glass

For cleaning only it's not necessary to remove the side glass.

- First remove the front glass, see chapter 5.1.
- Place a suction cup and remove the side glass, see fig. 2.2.

For replacing the glass repeat the steps in reverse order.

6 Decoration set

➤ Please note!

To get the right glow effect, the (optional) bottom lighting must be switched on at 100% intensity.

Make sure the ITC-V2 App is connected to the fire, see fig. 7.0.

- Switch on the glow effect, see fig. 7.1.
- Click on the "flame" in the circle, see fig. 7.1.
- Click on the "settings", see fig. 7.2.
- Set "bottom lighting" to maximum, see fig. 7.3.

6.1 Log set

See the included decoration instruction card or Chapter 11:

➤ Please note!

Placing the logs is a meticulous job, this determines the flame distribution.

Do not let any decoration material fall into the outflow (fire) opening.

The outflow openings may not be completely covered.

- Divide the mini chips over the bottom;
- Place the logs;
- Apply the ash material.

Fine tuning of the glow bed

By placing the decoration chips close together you create a real glow bed.

6.2 Pebbles/Acrylic ice

Spread an even amount of Pebbles or Acrylic-ice on the bottom plate.

7 Functional test

- See "Using the appliance for the first time" in chapter 4 of the user manual.
- Check all connections for water leaks.
- Check the operation of the extractor fan.
- Check the operation of the heating fan.
- Check the operation of the remote control at the desired distance (max. 8m).
- Check the functioning of the ITC-V2 App
- Place the decoration set, see chapter 6.
- Place the front glass, see chapter 5.1.
- Do a final functional test.

8 Maintenance

8.1 Maintenance frequency

- Cleaning water sump, air filter and replacing transducers.

Commercial use:

- Every three months.

Domestic use:

- Once a year.

- Cleaning mesh filter and replacing in-line filter.

Commercial use:

- Once a year.

Domestic use:

- Every second year.



➤ **Please note!**

The maintenance interval depends on the water quality and/or the running hours and therefore can differ from the above mentioned.

Cleaning water sump

➤ **Please note!**

- Always press the mains switch of the Control box to the OFF (0) position, see fig. 1.0-D and disconnect the power supply,
- Never use abrasive cleaners.

1. Remove the front glass, see chapter 5.1.
2. Remove the decoration set, see chapter 6.
3. Lift the bottom plate in the middle and let it rest carefully at front of the fire. See fig. 4.0.
4. Disconnect the plug connection, pressing in the plug's locking clip to do so. Remove the base plate to gain full access to both engines, see fig. 8.0;
5. Disconnect the "fill cap" by turning it clockwise, see fig. 8.1.
6. Disconnect both transducers cables, see fig. 8.2.
7. Release the clip on both sides and remove the nozzle, see fig. 8.3 and 8.4.
8. Without spilling any water, lift up the water sump gently and empty the water sump, see fig. 8.5.
9. The transducers are fixed in the water sump with plastic clips. Push the clips backwards gently and remove the transducers, see fig. 8.6.
10. Put a small amount of washing up liquid into the water sump and using a soft brush to clean the sump. Also clean the transducers, including the discs underneath the cones. Remove the cone by turning it clockwise, see fig. 8.7.
11. When cleaned, thoroughly rinse the water sump with clean water to remove all traces of washing up liquid.
12. Clean the nozzle (fig. 8.4) with a soft brush and flush out thoroughly with water.

Reverse the steps above to reassemble.

Cleaning air filter

1. Gently slide the air filter upwards out of its plastic holder, see fig. 9.0.
2. Gently rinse with water in the sink and dry with fabric towel before returning.
3. Replace the air filter.
4. Place the decoration set, see chapter 6.
5. Place the front glass, see section 5.1.

Replacing transducers

➤ **Please note!**

Press the mains switch of the Control box to the "OFF" (0) position, see fig. 1.0-D and disconnect the power supply.

1. Follow the first 9 steps in section "Cleaning water sump" in chapter 8.1 to gain access and remove the transducers.
2. Place the new transducers and repeat the steps above in reverse order.
(Please take note that the transducer cables will not block the opening of the cones).

Cleaning mesh filter

1. Turn off the water supply.
2. Close the ball valves.
3. Unscrew the base and clean the filter inside.

Replacing in-line filter

1. Turn off the water supply.
2. Close the ball valves.
3. Replace the filter. Note the flow direction mark on the filter!

8.2 Resetting absorption valve

When the absorption valve (fig. 5.0-K) is activated, the sponge need to be replaced. The absorption valve is located on the right front at the bottom of the Engine.

1. Take out the sponge.
2. Fix the cause of the water leakage and remove any water at the bottom of the engine.
3. Place the new sponge and open the absorption valve by pressing down the white clamp.



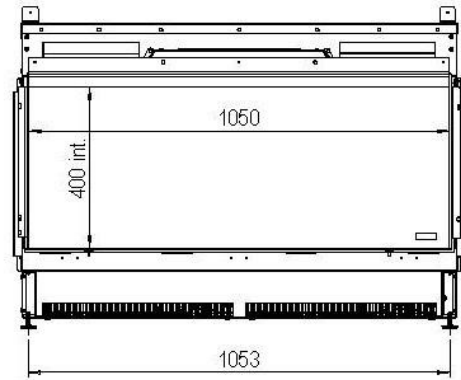
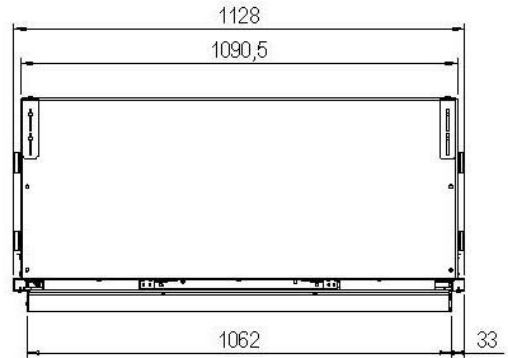
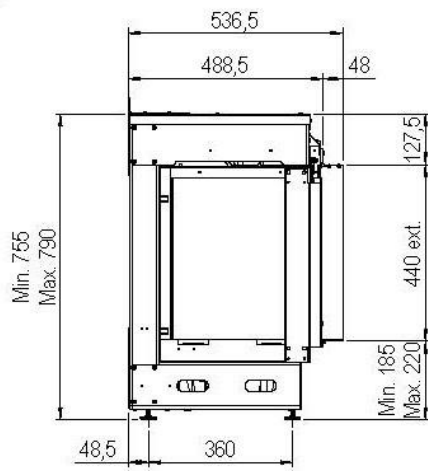
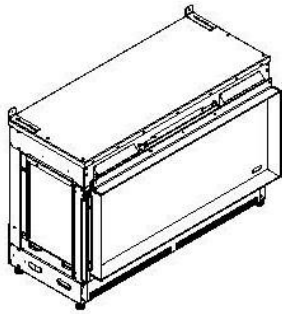
9 Technical data

		230 V	240 V
Input Figures	Full Heat	2270 W	2470 W
	Half Heat	1330 W	1450 W
	Flame only	463 W	504 W
	Standby	32 W	35 W
	Batteries remote	(2x) 1,5 AA V	
	Water consumption	0,3 L/h	
	Inlet water pressure	0,5-8 Bar	
	Water connection	½ or ¾ Inch	



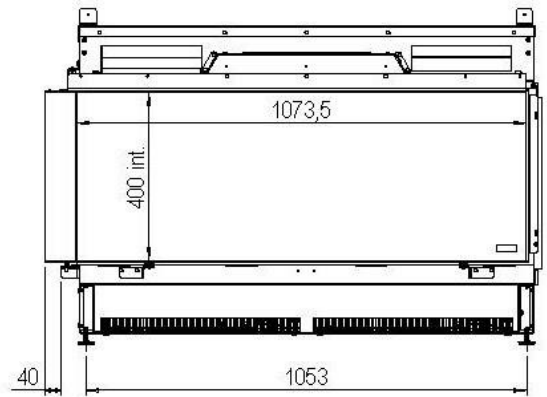
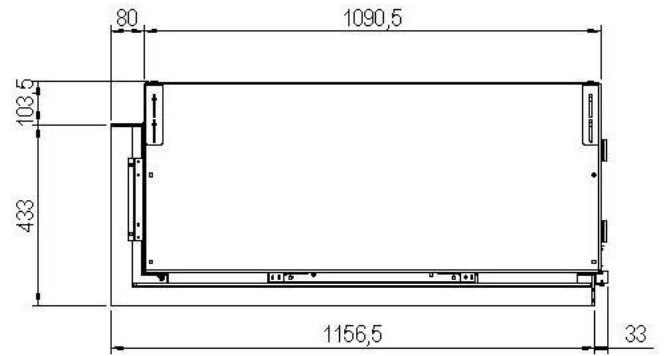
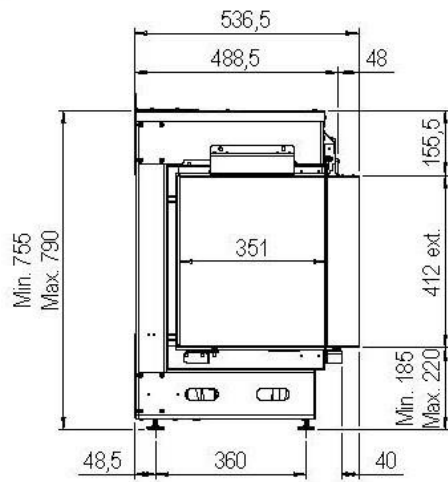
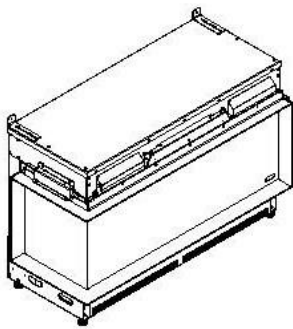
10 Dimensional drawings

10.1 e-Matrix linear 1050/400-I



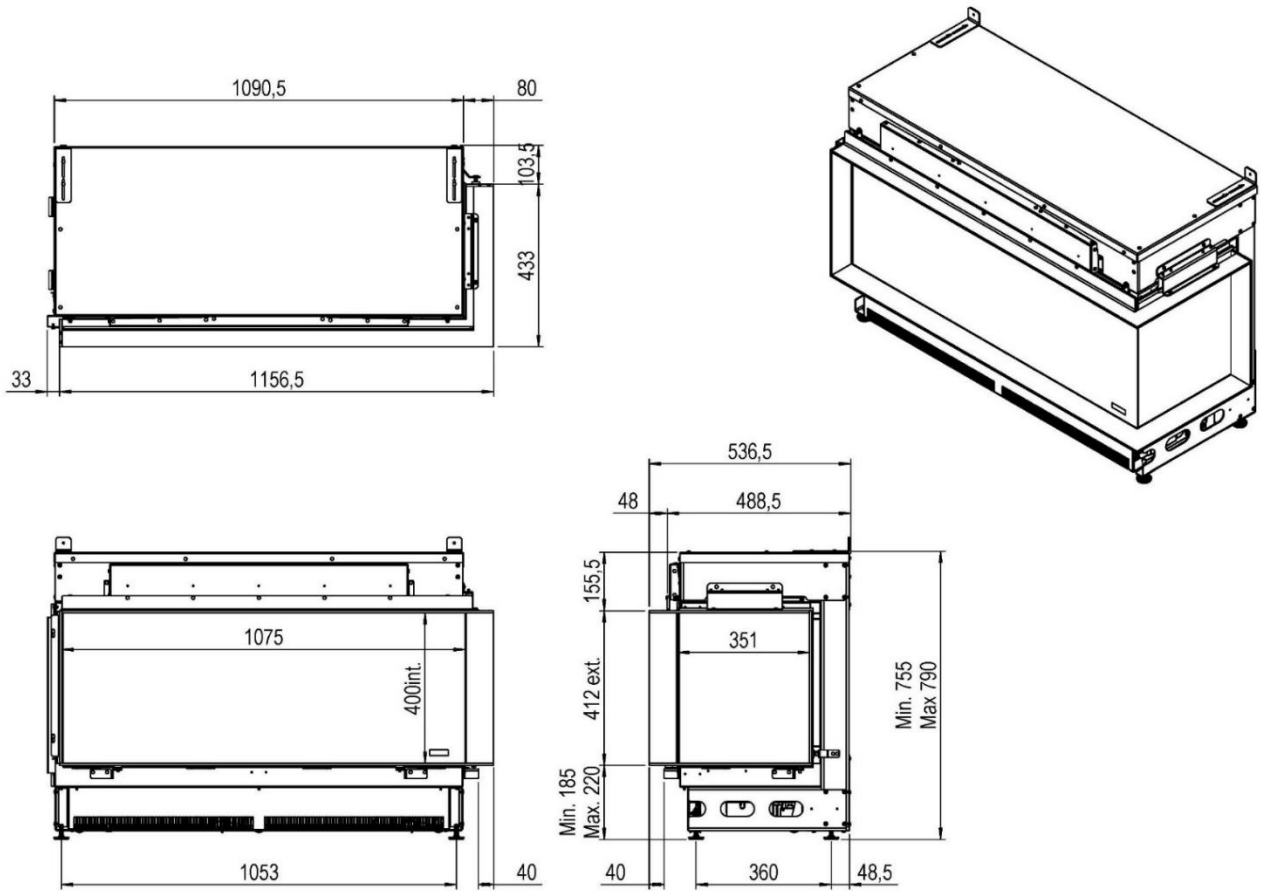


10.2 e-Matrix linear 1050/400-III



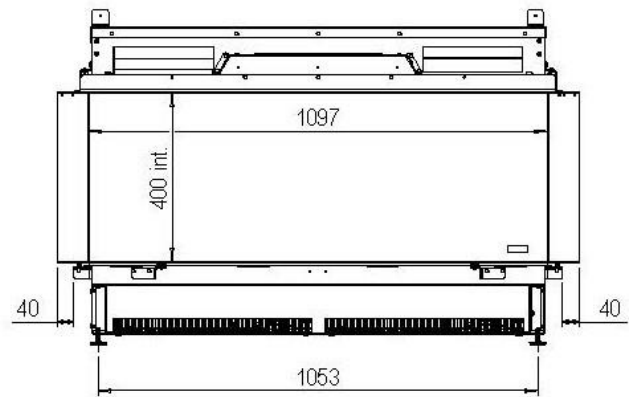
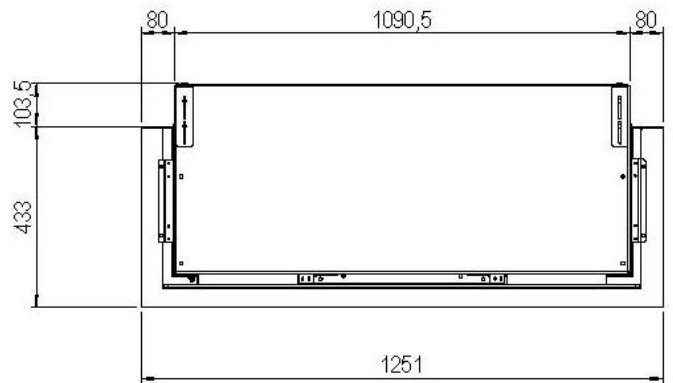
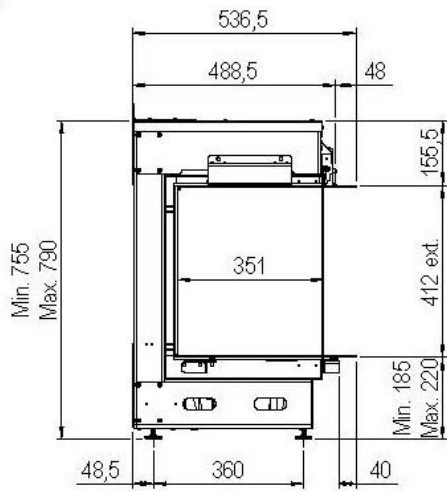
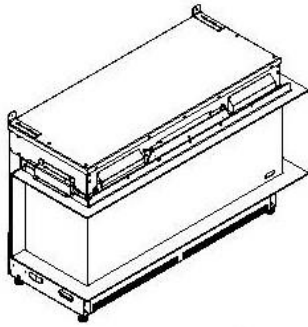


10.3 e-Matrix linear 1050/400-IIR



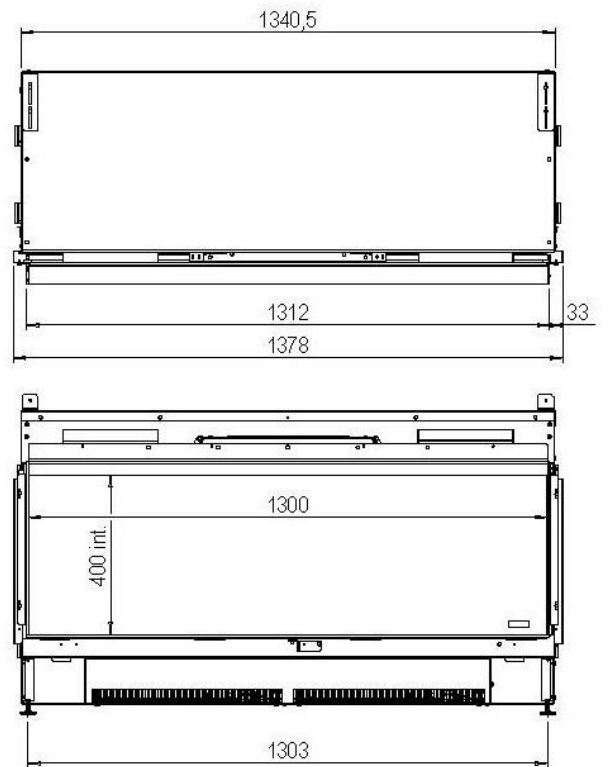
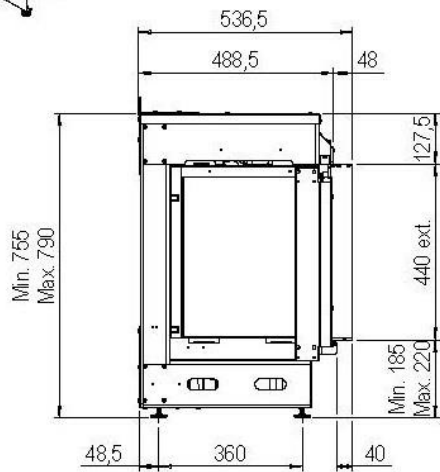
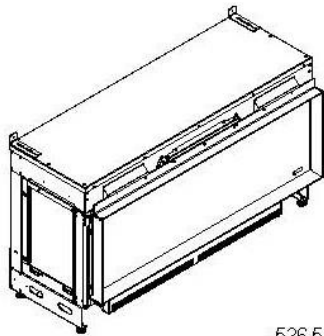


10.4 e-Matrix linear 1050/400-III



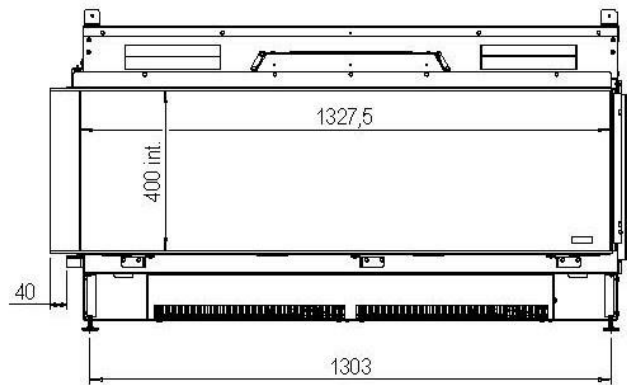
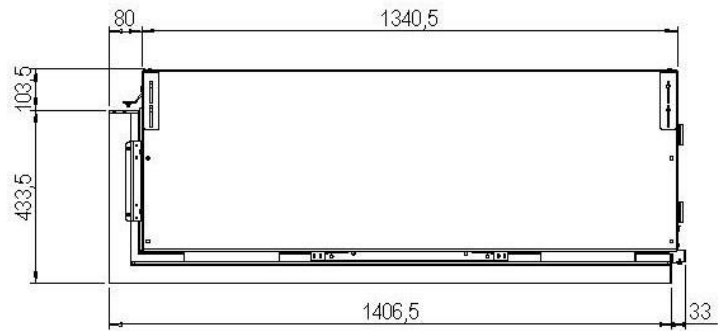
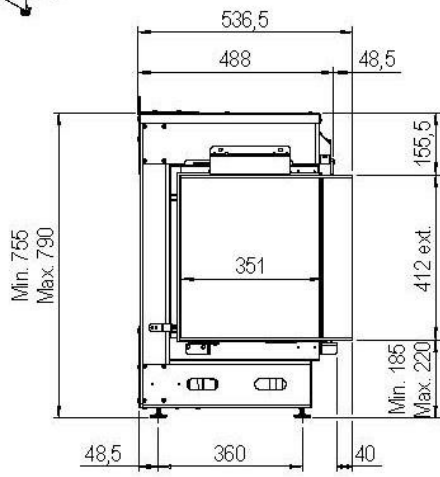
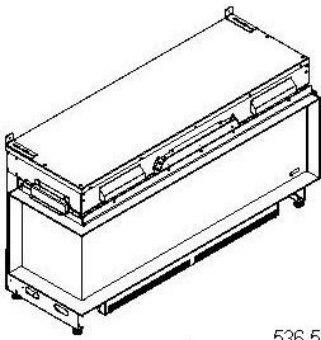


10.5 e-Matrix linear 1300/400-I



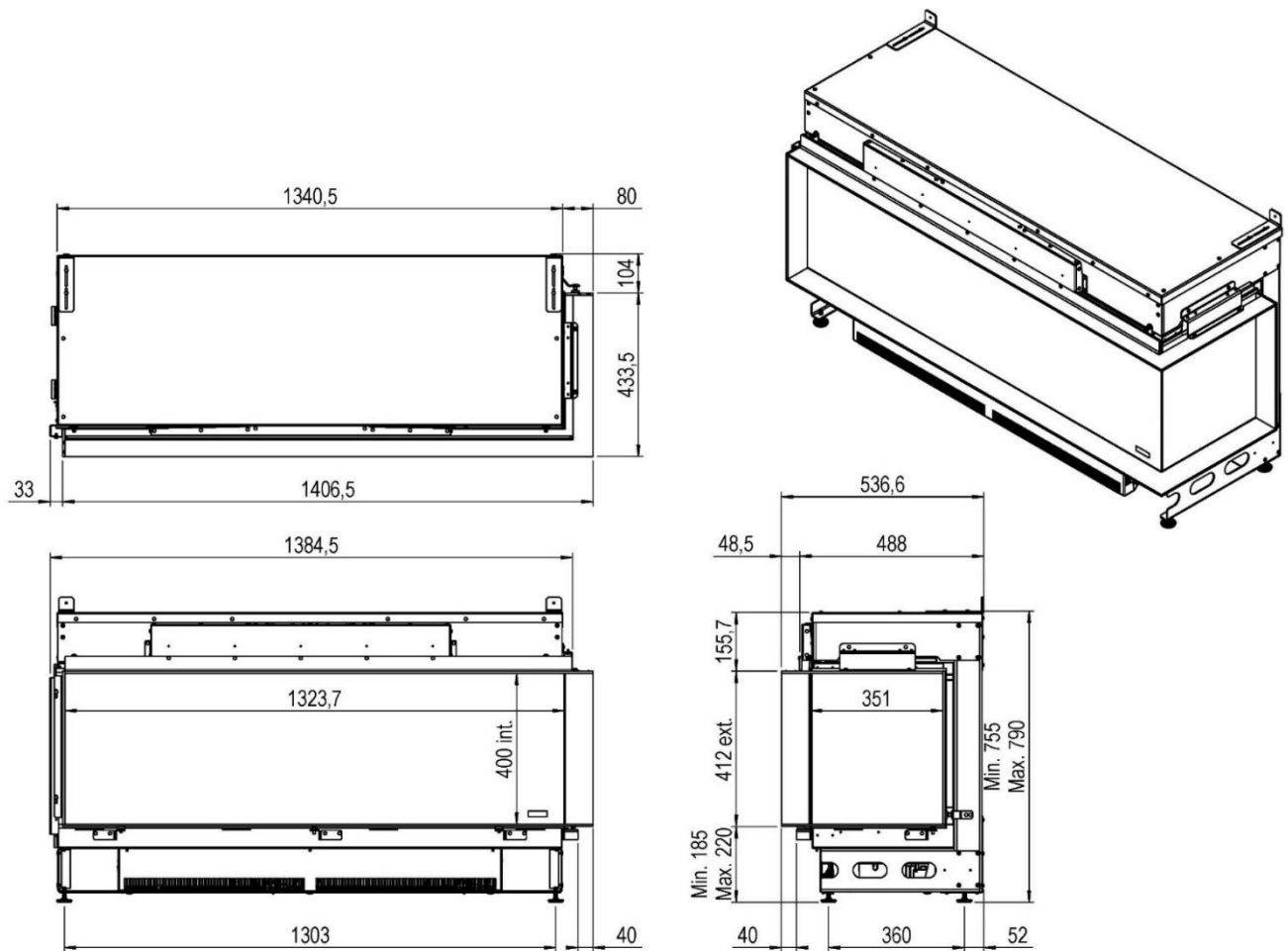


10.6 e-Matrix linear 1300/400-III



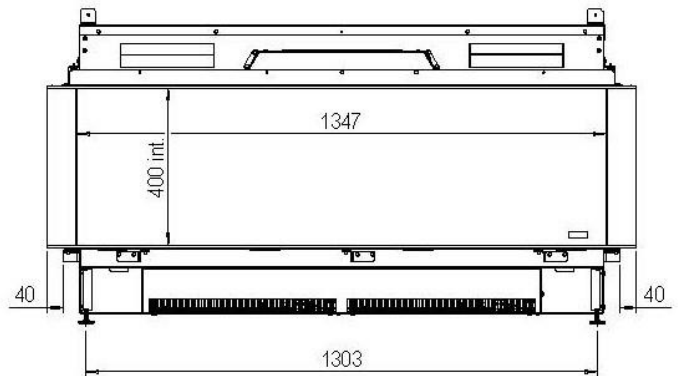
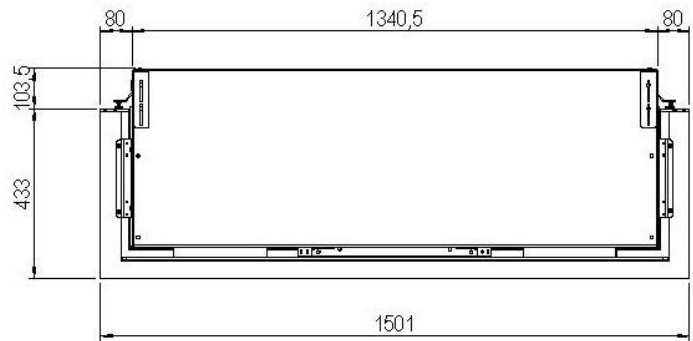
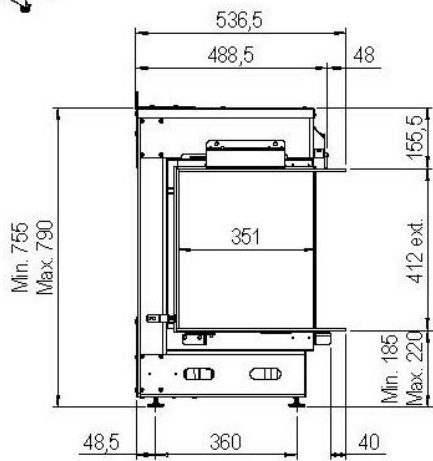
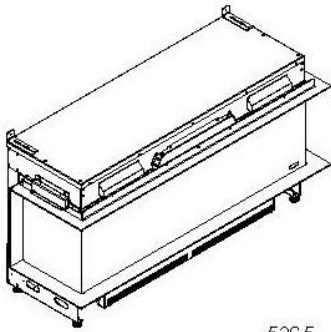


10.7 e-Matrix linear 1300/400-IIR



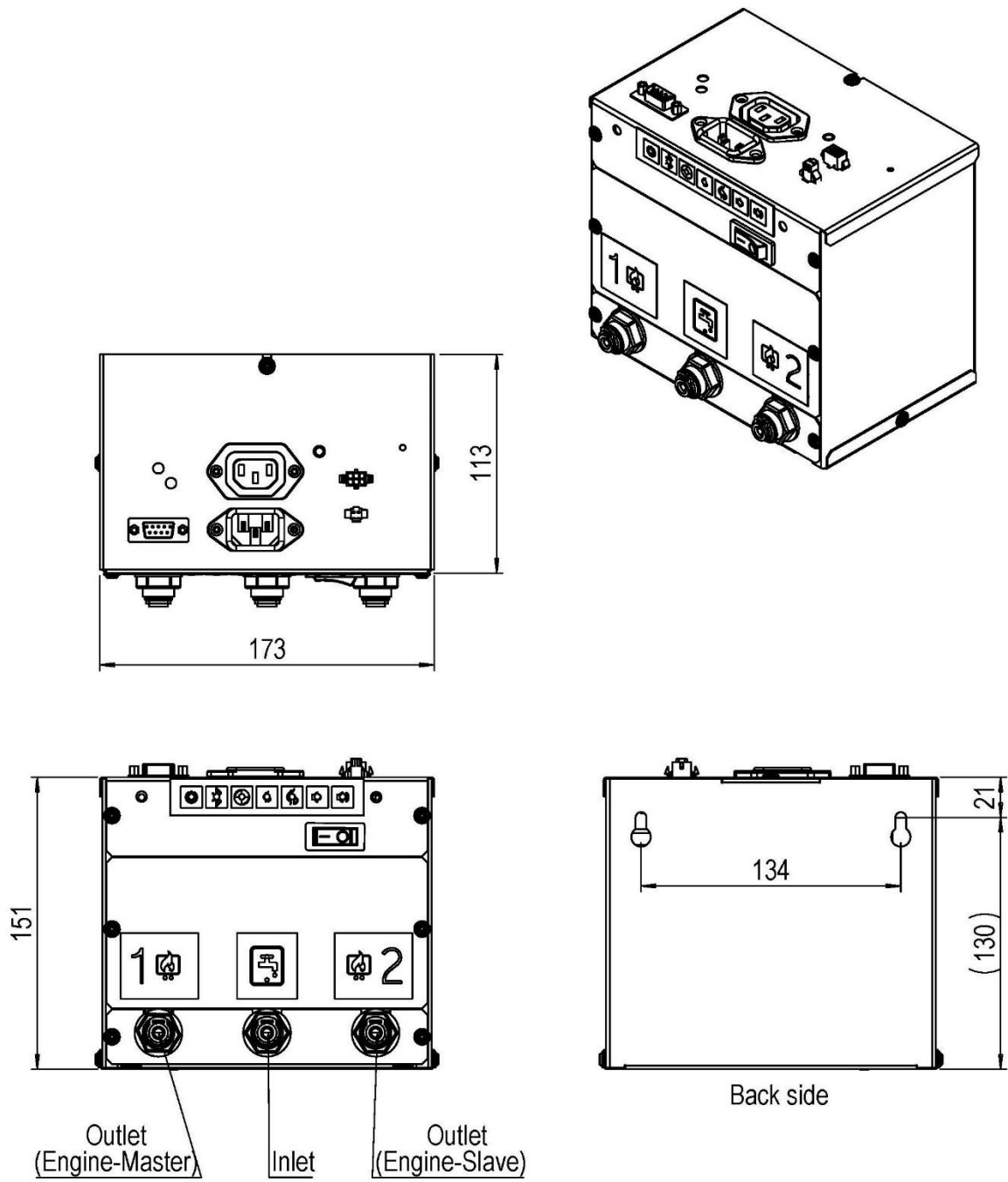


10.8 e-Matrix linear 1300/400-III



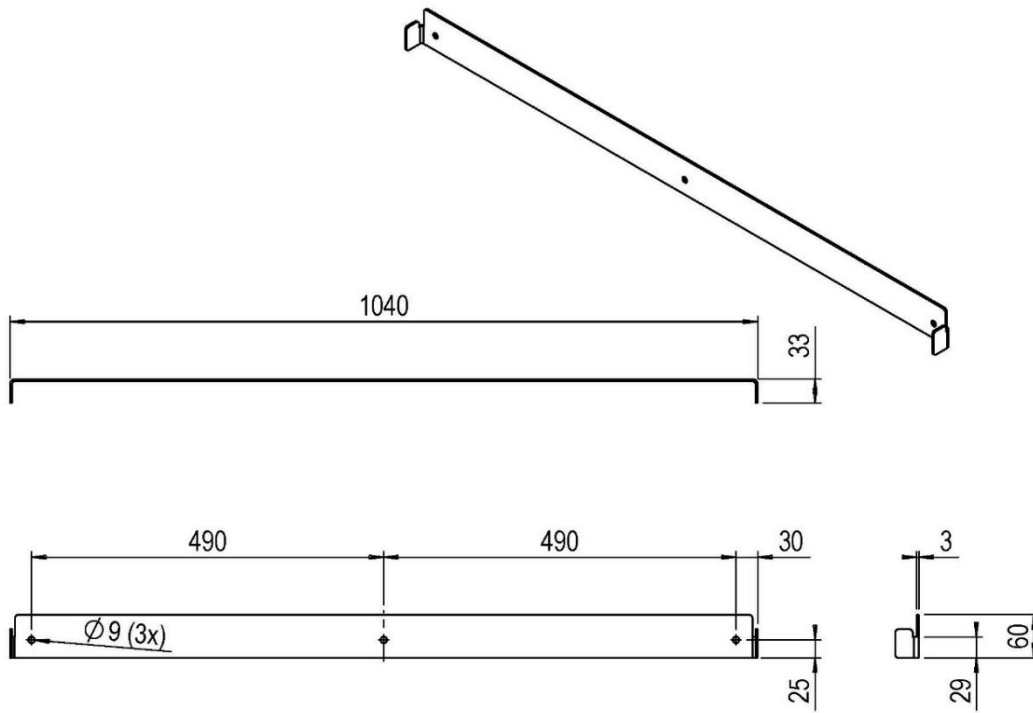


10.9 Control box

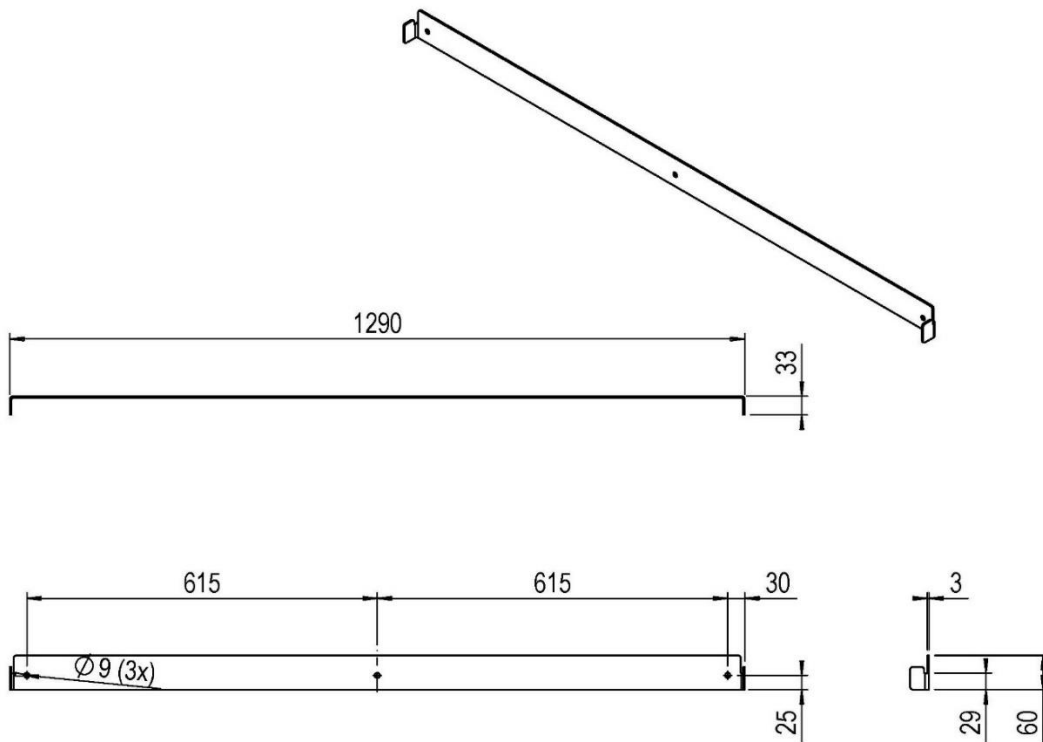




10.10 Wall bracket e-Matrix 1050/400 (article number A9325696)

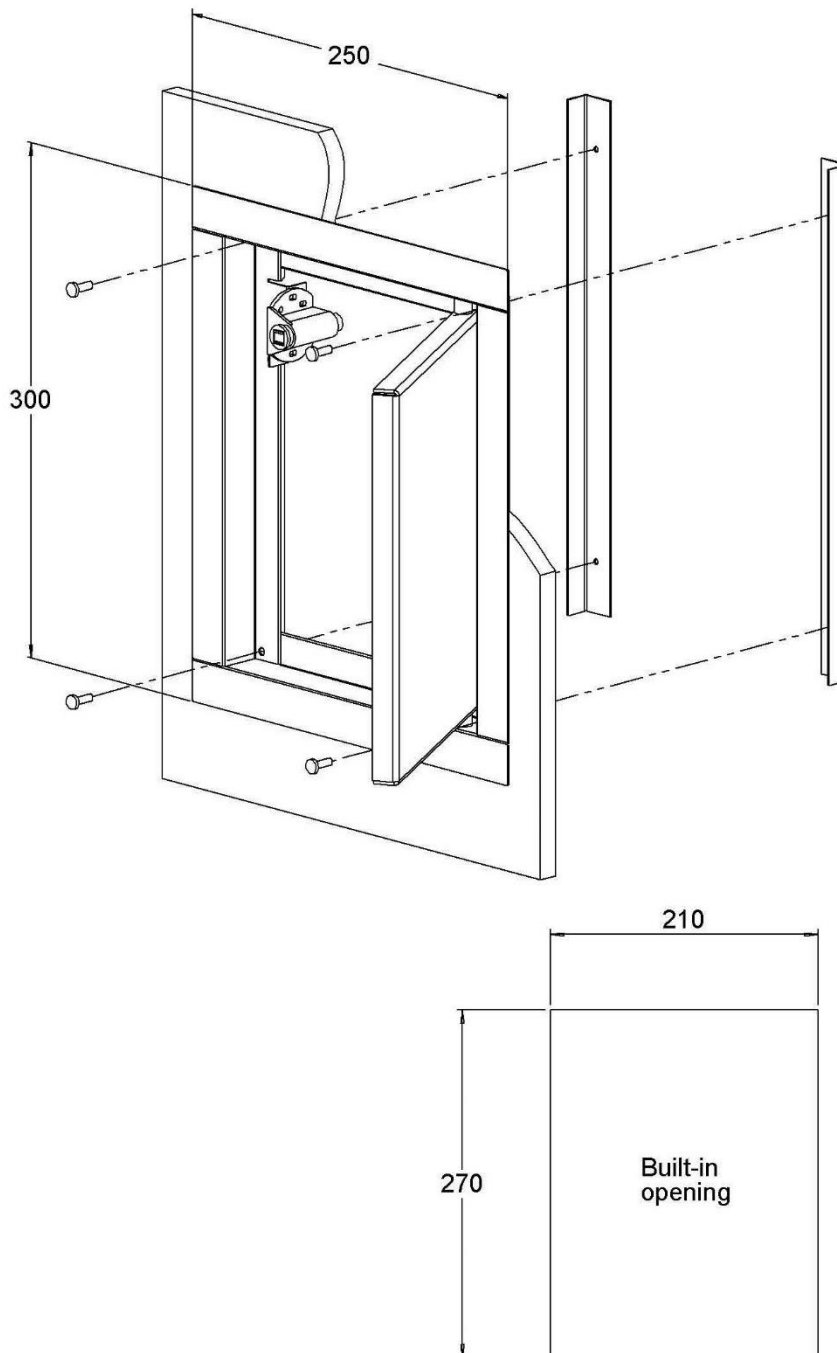


10.11 Wall bracket e-Matrix 1300/400 (article number A9325796)



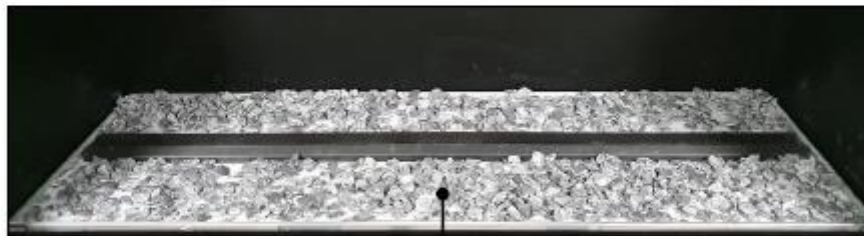


10.12 Remote access door (article number A9299463)



11 Decoration instruction card

11.1 e-Matrix linear 1050/400 & e-Matrix linear 1300/400







Pebbles



Acrylic ice











www.faberfires.com

Saturnus 8

Postbus 219

contact@faberfires.com

NL 8448 CC Heerenveen

NL 8440 AE Heerenveen