

TECHNICAL INFORMATION

| | |
|------------------|---|
| Capacity: | 1.7 L |
| Burning time: | Up to 6 hours |
| Heat efficiency: | 1.5 kW/h |
| Net weight: | 12.7 kg |
| Burner: | Manual |
| Materials: | Burner: Stainless steel 8mm hardened glass |
| Finish: | See info |
| Fuel: | Bioethanol at 96.5 - 97.5% |

FEATURES

- No chimney required
- No smoke, ash or soot
- Manual burner
- Safety chamber
- Easy to relocate

ACCESSORIES

Shutter tool / Lid

STANDARD FINISH

| | | | |
|------------------|--------------------------------|---|--------------------------------|
| GLASS | <input type="checkbox"/> clear | <input type="checkbox"/> smoked | <input type="checkbox"/> clear |
| BASE | <input type="checkbox"/> white | <input checked="" type="checkbox"/> black | <input type="checkbox"/> white |
| TOP-PLATE | <input type="checkbox"/> grey | <input checked="" type="checkbox"/> black | <input type="checkbox"/> white |

OPTIONAL FINISH - ASK FOR MORE INFO

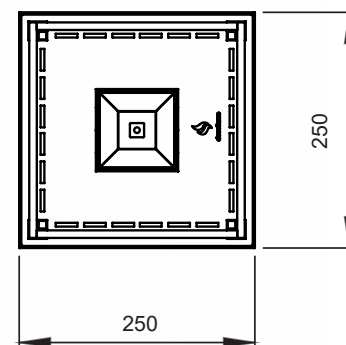
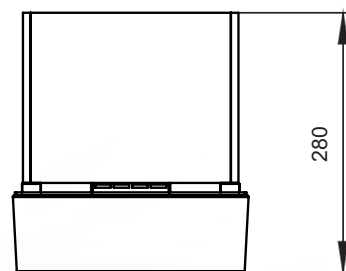
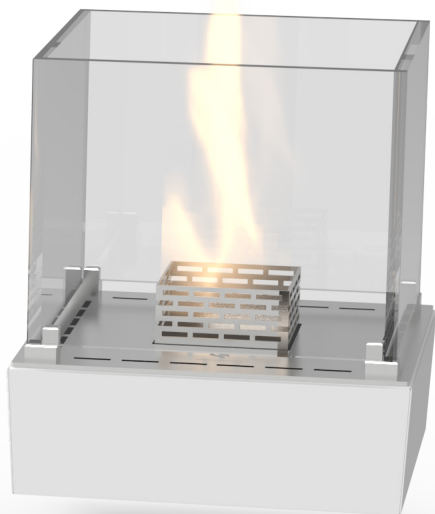


BIOETHANOL

For use and information about bioethanol, please visit: decoflame.com.
Please be aware that bioethanol is essential to a proper use and guarantee of your product.

Subject to typing errors, typos and technical faults, production- and product tolerances.

DecoFlame ApS reserves the right to make changes without notice. We refer to DecoFlame's Ordinary Terms and Conditions.



TECHNICAL INFORMATION

| | |
|------------------|---|
| Capacity: | 1.3 L |
| Burning time: | Up to 6 hours |
| Heat efficiency: | 1.2 kW/h |
| Net weight: | 7.5 kg |
| Burner: | Manual |
| Materials: | Burner: Stainless steel 8mm hardened glass |
| Finish: | See info |
| Fuel: | Bioethanol at 96.5 - 97.5% |

FEATURES

- No chimney required
- No smoke, ash or soot
- Manual burner
- Safety chamber
- Easy to relocate

ACCESSORIES

Shutter tool / Lid

STANDARD FINISH

| | | | |
|------------------|--------------------------------|---|--------------------------------|
| GLASS | <input type="checkbox"/> clear | <input type="checkbox"/> smoked | <input type="checkbox"/> clear |
| BASE | <input type="checkbox"/> white | <input checked="" type="checkbox"/> black | <input type="checkbox"/> white |
| TOP-PLATE | <input type="checkbox"/> grey | <input checked="" type="checkbox"/> black | <input type="checkbox"/> white |

OPTIONAL FINISH - ASK FOR MORE INFO



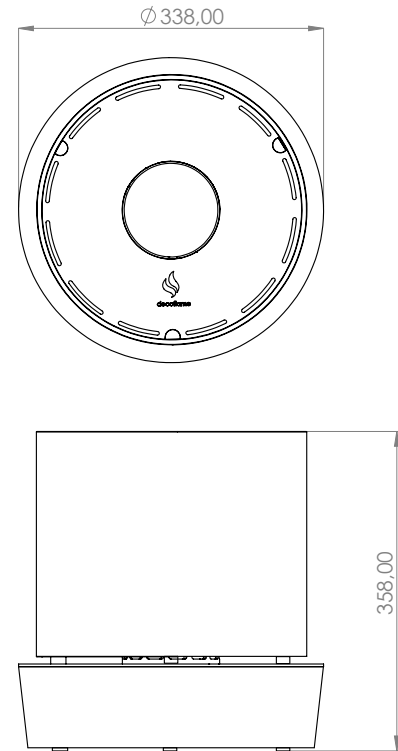
BIOETHANOL

For use and information about bioethanol, please visit: decoflame.com.

Please be aware that bioethanol is essential to a proper use and guarantee of your product.

Subject to typing errors, typos and technical faults, production- and product tolerances.

Decoflame ApS reserves the right to make changes without notice. We refer to Decoflame's Ordinary Terms and Conditions.



TECHNICAL INFORMATION

| | |
|------------------|---|
| Capacity: | 2.3 L |
| Burning time: | Up to 6 hours |
| Heat efficiency: | 2.1 kW/h |
| Net weight: | 7.5 kg |
| Burner: | Manual |
| Materials: | Burner: Stainless steel 8mm hardened glass |
| Finish: | See info |
| Fuel: | Bioethanol at 96.5 - 97.5% |

FEATURES

- No chimney required
- No smoke, ash or soot
- Manual burner
- Safety chamber
- Easy to relocate

ACCESSORIES

Shutter tool / Lid

STANDARD FINISH

GLASS

BASE

TOP-PLATE 

OPTIONAL FINISH - ASK FOR MORE INFO



BIOETHANOL

For use and information about bioethanol, please visit: decoflame.com.

Please be aware that bioethanol is essential to a proper use and guarantee of your product.

Subject to typing errors, typos and technical faults, production- and product tolerances.

DecoFlame ApS reserves the right to make changes without notice. We refer to DecoFlame's Ordinary Terms and Conditions.