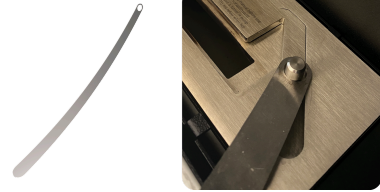


MONTREAL - WITH DENVER MANUAL BURNER

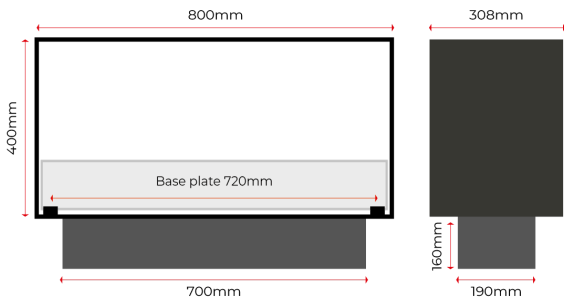
MONTREAL 800 mm - Tunnel - Manual

This refined Montreal built-in fireplace, with an open front and back and two low glass panels, is fitted with the classic manual burner. Manual operation – no electronics. Also available in a variety of configurations and with alternative burner options. Designed and produced in Denmark. Ideal as a stylish focal point for modern interiors.



OPERATION

The flame is manually controlled using the included shutter tool, which is also used to safely extinguish the fireplace.



MANUAL FILLING

Use the tap included with the bioethanol container. An External Fuel Pump is available as an optional upgrade for easier handling."

GENERAL INFORMATION

Model	Montreal 800 mm
Configuration	Open to Front and Back vs 2
Included Burner	Manual Burner 600 mm
Operation Type	Manual
Production	Made in Denmark

DESIGN & MATERIALS

Material	Stainless steel / Powder coated aluminum
Finish	Standard black powder coating
Glass Quality	Tempered diamond clear glass
Standard Glass	2x Low Glass

MONTREAL - WITH DENVER MANUAL BURNER**PHYSICAL SPECIFICATIONS**

Gross Dimensions (mm)	W: 800 × H: 400 × D: 308
Glass Dimensions (mm)	Low Glass: L: 769 × H: 110 × T: 10 / L: 271 × H: 110 × T: 10
Weight: (kg)	25.0

BURNER DETAILS

Burner Model	Manual Burner 600 mm
Fuel Type	Bioethanol 95 - 96.5 %
Flametray (mm)	400
Flame Levels	Manual adjustment
Chimney	Not Required

PERFORMANCE

Capacity (L)	2.9
Max Level Burn Time (H)	7.0
Nominal Heat Output (kW)	4
Fuel consumption (ml/h)	N/A

INSTALLATION REQUIREMENTS

Cut-out Dimensions (mm)	W: 810 × H: 410 × D: 308
Minimum Room Size (m ³)	48
Power Supply	Manual operation (no power required)
Installation Environment	Indoor

FEATURES

Safety Features	Safety Chamber
Add-on Features	External Fuel Pump without Coupling
Included Features	Shutter tool

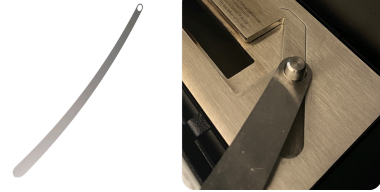
DISCLAIMER – DECOFLAME A/S

All product specifications and technical data are subject to change without prior notice and are considered accurate as of the date of publication. Decoflame A/S, including its affiliates, employees, agents and other representatives (collectively referred to as "Decoflame A/S"), disclaims all liability for any errors, inaccuracies, or omissions in this document or in any other product-related information. Decoflame A/S shall not be held liable for any damage, loss, or indirect consequences arising from the use, installation, or operation of the products, unless otherwise required under applicable law. It is the user's responsibility to ensure correct installation and usage in accordance with applicable safety standards and the manufacturer's instructions. No licence, whether express or implied, to any intellectual property rights is granted through this document. Customers who use or sell Decoflame A/S products for purposes not explicitly specified do so at their own risk and agree to indemnify Decoflame A/S against any claims or damages resulting from such use. Fuel consumption may vary depending on individual units, environmental conditions, and operating parameters. Product images are for illustrative purposes only and may differ from the actual product. This limitation of liability does not apply where it would conflict with mandatory consumer protection laws.

MONTREAL - WITH DENVER MANUAL BURNER

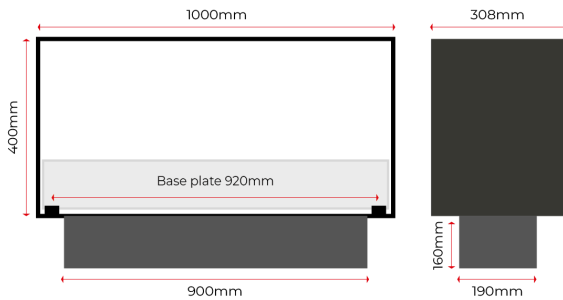
MONTREAL 1000 mm - Tunnel - Manual

This refined Montreal built-in fireplace, with an open front and back and two low glass panels, is fitted with the classic manual burner. Manual operation – no electronics. Also available in a variety of configurations and with alternative burner options. Designed and produced in Denmark. Ideal as a stylish focal point for modern interiors.



OPERATION

The flame is manually controlled using the included shutter tool, which is also used to safely extinguish the fireplace.



MANUAL FILLING

Use the tap included with the bioethanol container. An External Fuel Pump is available as an optional upgrade for easier handling."

GENERAL INFORMATION

Model	Montreal 1000 mm
Configuration	Open to Front and Back vs 2
Included Burner	Manual Burner 800 mm
Operation Type	Manual
Production	Made in Denmark

DESIGN & MATERIALS

Material	Stainless steel / Powder coated aluminum
Finish	Standard black powder coating
Glass Quality	Tempered diamond clear glass
Standard Glass	2x Low Glass

MONTREAL - WITH DENVER MANUAL BURNER**PHYSICAL SPECIFICATIONS**

Gross Dimensions (mm)	W: 1000 × H: 400 × D: 308
Glass Dimensions (mm)	Low Glass: L: 769 × H: 110 × T: 10 / L: 271 × H: 110 × T: 10
Weight: (kg)	30.0

BURNER DETAILS

Burner Model	Manual Burner 800 mm
Fuel Type	Bioethanol 95 - 96.5 %
Flametray (mm)	700
Flame Levels	Manual adjustment
Chimney	Not Required

PERFORMANCE

Capacity (L)	3.9
Max Level Burn Time (H)	7.0
Nominal Heat Output (kW)	5.4
Fuel consumption (ml/h)	N/A

INSTALLATION REQUIREMENTS

Cut-out Dimensions (mm)	W: 1010 × H: 410 × D: 308
Minimum Room Size (m ³)	64
Power Supply	Manual operation (no power required)
Installation Environment	Indoor

FEATURES

Safety Features	Safety Chamber
Add-on Features	External Fuel Pump without Coupling
Included Features	Shutter tool

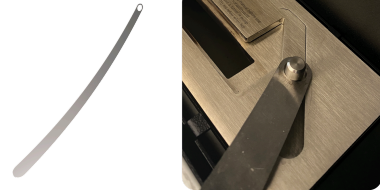
DISCLAIMER – DECOFLAME A/S

All product specifications and technical data are subject to change without prior notice and are considered accurate as of the date of publication. Decoflame A/S, including its affiliates, employees, agents and other representatives (collectively referred to as "Decoflame A/S"), disclaims all liability for any errors, inaccuracies, or omissions in this document or in any other product-related information. Decoflame A/S shall not be held liable for any damage, loss, or indirect consequences arising from the use, installation, or operation of the products, unless otherwise required under applicable law. It is the user's responsibility to ensure correct installation and usage in accordance with applicable safety standards and the manufacturer's instructions. No licence, whether express or implied, to any intellectual property rights is granted through this document. Customers who use or sell Decoflame A/S products for purposes not explicitly specified do so at their own risk and agree to indemnify Decoflame A/S against any claims or damages resulting from such use. Fuel consumption may vary depending on individual units, environmental conditions, and operating parameters. Product images are for illustrative purposes only and may differ from the actual product. This limitation of liability does not apply where it would conflict with mandatory consumer protection laws.

MONTREAL - WITH DENVER MANUAL BURNER

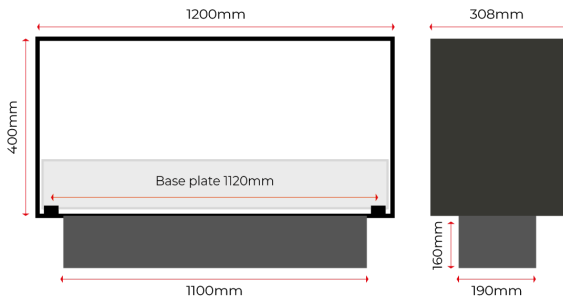
MONTREAL 1200 mm - Tunnel - Manual

This refined Montreal built-in fireplace, with an open front and back and two low glass panels, is fitted with the classic manual burner. Manual operation – no electronics. Also available in a variety of configurations and with alternative burner options. Designed and produced in Denmark. Ideal as a stylish focal point for modern interiors.



OPERATION

The flame is manually controlled using the included shutter tool, which is also used to safely extinguish the fireplace.



MANUAL FILLING

Use the tap included with the bioethanol container. An External Fuel Pump is available as an optional upgrade for easier handling."

GENERAL INFORMATION

Model	Montreal 1200 mm
Configuration	Open to Front and Back vs 2
Included Burner	Manual Burner 900 mm
Operation Type	Manual
Production	Made in Denmark

DESIGN & MATERIALS

Material	Stainless steel / Powder coated aluminum
Finish	Standard black powder coating
Glass Quality	Tempered diamond clear glass
Standard Glass	2x Low Glass

MONTREAL - WITH DENVER MANUAL BURNER**PHYSICAL SPECIFICATIONS**

Gross Dimensions (mm)	W: 1200 × H: 400 × D: 308
Glass Dimensions (mm)	Low Glass: L: 769 × H: 110 × T: 10 / L: 271 × H: 110 × T: 10
Weight: (kg)	34.0

BURNER DETAILS

Burner Model	Manual Burner 900 mm
Fuel Type	Bioethanol 95 - 96.5 %
Flametray (mm)	800
Flame Levels	Manual adjustment
Chimney	Not Required

PERFORMANCE

Capacity (L)	4.4
Max Level Burn Time (H)	7.0
Nominal Heat Output (kW)	6.1
Fuel consumption (ml/h)	N/A

INSTALLATION REQUIREMENTS

Cut-out Dimensions (mm)	W: 1210 × H: 410 × D: 308
Minimum Room Size (m ³)	72
Power Supply	Manual operation (no power required)
Installation Environment	Indoor

FEATURES

Safety Features	Safety Chamber
Add-on Features	External Fuel Pump without Coupling
Included Features	Shutter tool

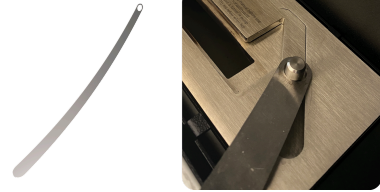
DISCLAIMER – DECOFLAME A/S

All product specifications and technical data are subject to change without prior notice and are considered accurate as of the date of publication. Decoflame A/S, including its affiliates, employees, agents and other representatives (collectively referred to as "Decoflame A/S"), disclaims all liability for any errors, inaccuracies, or omissions in this document or in any other product-related information. Decoflame A/S shall not be held liable for any damage, loss, or indirect consequences arising from the use, installation, or operation of the products, unless otherwise required under applicable law. It is the user's responsibility to ensure correct installation and usage in accordance with applicable safety standards and the manufacturer's instructions. No licence, whether express or implied, to any intellectual property rights is granted through this document. Customers who use or sell Decoflame A/S products for purposes not explicitly specified do so at their own risk and agree to indemnify Decoflame A/S against any claims or damages resulting from such use. Fuel consumption may vary depending on individual units, environmental conditions, and operating parameters. Product images are for illustrative purposes only and may differ from the actual product. This limitation of liability does not apply where it would conflict with mandatory consumer protection laws.

MONTREAL - WITH DENVER MANUAL BURNER

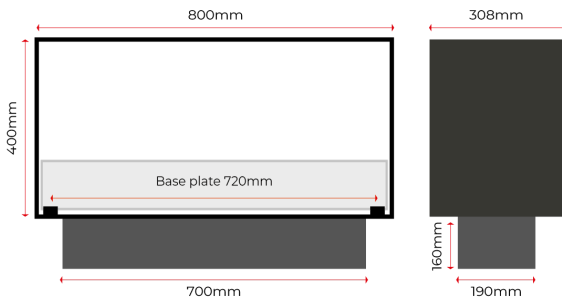
MONTREAL 800 mm - Tunnel - Low/high Glass - Manual

This elegant Montreal built-in fireplace, designed with an open front and back and one high and one low glass panel, features the classic manual burner. Manual operation – no electronics. Also available in a variety of configurations and with alternative burner options. Designed and produced in Denmark. Ideal as a stylish focal point for modern interiors.



OPERATION

The flame is manually controlled using the included shutter tool, which is also used to safely extinguish the fireplace.



MANUAL FILLING

Use the tap included with the bioethanol container. An External Fuel Pump is available as an optional upgrade for easier handling."

GENERAL INFORMATION

Model	Montreal 800 mm
Configuration	Open to Front and Back vs 1
Included Burner	Manual Burner 600 mm
Operation Type	Manual
Production	Made in Denmark

DESIGN & MATERIALS

Material	Stainless steel / Powder coated aluminum
Finish	Standard black powder coating
Glass Quality	Tempered diamond clear glass
Standard Glass	1x Low Glass / 1x High Glass

MONTREAL - WITH DENVER MANUAL BURNER**PHYSICAL SPECIFICATIONS**

Gross Dimensions (mm)	W: 800 × H: 400 × D: 308
Glass Dimensions (mm)	Low Glass: L: 764 × H: 110 × T: 10 / High Glass: L: 764 × H: 362 × T: 10
Weight: (kg)	30.0

BURNER DETAILS

Burner Model	Manual Burner 600 mm
Fuel Type	Bioethanol 95 - 96.5 %
Flametray (mm)	400
Flame Levels	Manual adjustment
Chimney	Not Required

PERFORMANCE

Capacity (L)	2.9
Max Level Burn Time (H)	7.0
Nominal Heat Output (kW)	4
Fuel consumption (ml/h)	N/A

INSTALLATION REQUIREMENTS

Cut-out Dimensions (mm)	W: 810 × H: 410 × D: 308
Minimum Room Size (m ³)	48
Power Supply	Manual operation (no power required)
Installation Environment	Indoor

FEATURES

Safety Features	Safety Chamber
Add-on Features	External Fuel Pump without Coupling
Included Features	Shutter tool

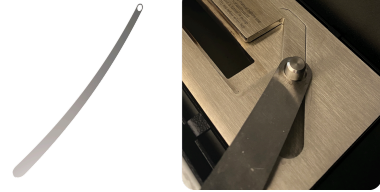
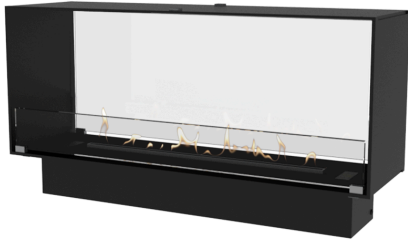
DISCLAIMER – DECOFLAME A/S

All product specifications and technical data are subject to change without prior notice and are considered accurate as of the date of publication. Decoflame A/S, including its affiliates, employees, agents and other representatives (collectively referred to as "Decoflame A/S"), disclaims all liability for any errors, inaccuracies, or omissions in this document or in any other product-related information. Decoflame A/S shall not be held liable for any damage, loss, or indirect consequences arising from the use, installation, or operation of the products, unless otherwise required under applicable law. It is the user's responsibility to ensure correct installation and usage in accordance with applicable safety standards and the manufacturer's instructions. No licence, whether express or implied, to any intellectual property rights is granted through this document. Customers who use or sell Decoflame A/S products for purposes not explicitly specified do so at their own risk and agree to indemnify Decoflame A/S against any claims or damages resulting from such use. Fuel consumption may vary depending on individual units, environmental conditions, and operating parameters. Product images are for illustrative purposes only and may differ from the actual product. This limitation of liability does not apply where it would conflict with mandatory consumer protection laws.

MONTREAL - WITH DENVER MANUAL BURNER

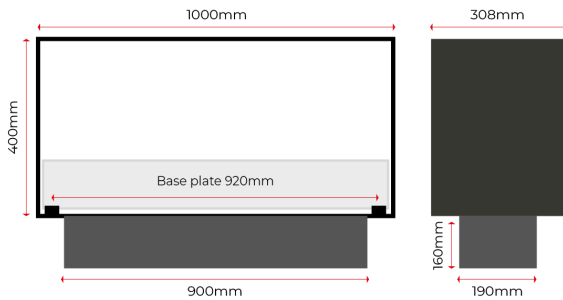
MONTREAL 1000 mm - Tunnel - Low/high Glass - Manual

This elegant Montreal built-in fireplace, designed with an open front and back and one high and one low glass panel, features the classic manual burner. Manual operation – no electronics. Also available in a variety of configurations and with alternative burner options. Designed and produced in Denmark. Ideal as a stylish focal point for modern interiors.



OPERATION

The flame is manually controlled using the included shutter tool, which is also used to safely extinguish the fireplace.



MANUAL FILLING

Use the tap included with the bioethanol container. An External Fuel Pump is available as an optional upgrade for easier handling."

GENERAL INFORMATION

Model	Montreal 1000 mm
Configuration	Open to Front and Back vs 1
Included Burner	Manual Burner 800 mm
Operation Type	Manual
Production	Made in Denmark

DESIGN & MATERIALS

Material	Stainless steel / Powder coated aluminum
Finish	Standard black powder coating
Glass Quality	Tempered diamond clear glass
Standard Glass	1x Low Glass / 1x High Glass

MONTREAL - WITH DENVER MANUAL BURNER**PHYSICAL SPECIFICATIONS**

Gross Dimensions (mm)	W: 1000 × H: 400 × D: 308
Glass Dimensions (mm)	Low Glass: L: 764 × H: 110 × T: 10 / High Glass: L: 764 × H: 362 × T: 10
Weight: (kg)	34.0

BURNER DETAILS

Burner Model	Manual Burner 800 mm
Fuel Type	Bioethanol 95 - 96.5 %
Flametray (mm)	700
Flame Levels	Manual adjustment
Chimney	Not Required

PERFORMANCE

Capacity (L)	3.9
Max Level Burn Time (H)	7.0
Nominal Heat Output (kW)	5.4
Fuel consumption (ml/h)	N/A

INSTALLATION REQUIREMENTS

Cut-out Dimensions (mm)	W: 1010 × H: 410 × D: 308
Minimum Room Size (m ³)	64
Power Supply	Manual operation (no power required)
Installation Environment	Indoor

FEATURES

Safety Features	Safety Chamber
Add-on Features	External Fuel Pump without Coupling
Included Features	Shutter tool

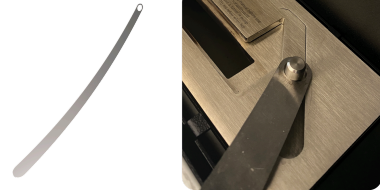
DISCLAIMER – DECOFLAME A/S

All product specifications and technical data are subject to change without prior notice and are considered accurate as of the date of publication. Decoflame A/S, including its affiliates, employees, agents and other representatives (collectively referred to as "Decoflame A/S"), disclaims all liability for any errors, inaccuracies, or omissions in this document or in any other product-related information. Decoflame A/S shall not be held liable for any damage, loss, or indirect consequences arising from the use, installation, or operation of the products, unless otherwise required under applicable law. It is the user's responsibility to ensure correct installation and usage in accordance with applicable safety standards and the manufacturer's instructions. No licence, whether express or implied, to any intellectual property rights is granted through this document. Customers who use or sell Decoflame A/S products for purposes not explicitly specified do so at their own risk and agree to indemnify Decoflame A/S against any claims or damages resulting from such use. Fuel consumption may vary depending on individual units, environmental conditions, and operating parameters. Product images are for illustrative purposes only and may differ from the actual product. This limitation of liability does not apply where it would conflict with mandatory consumer protection laws.

MONTREAL - WITH DENVER MANUAL BURNER

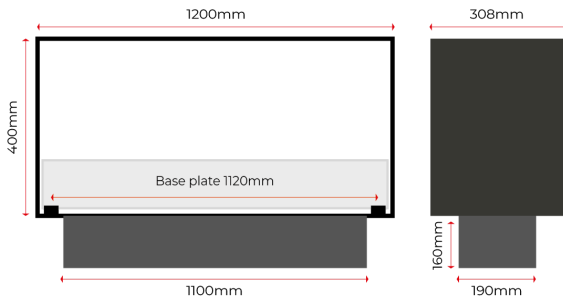
MONTREAL 1200 mm - Tunnel - Low/high Glass - Manual

This refined Montreal built-in fireplace, with an open front and back and two low glass panels, is fitted with the classic manual burner. Manual operation – no electronics. Also available in a variety of configurations and with alternative burner options. Designed and produced in Denmark. Ideal as a stylish focal point for modern interiors.



OPERATION

The flame is manually controlled using the included shutter tool, which is also used to safely extinguish the fireplace.



MANUAL FILLING

Use the tap included with the bioethanol container. An External Fuel Pump is available as an optional upgrade for easier handling."

GENERAL INFORMATION

Model	Montreal 1200 mm
Configuration	Open to Front and Back vs 1
Included Burner	Manual Burner 900 mm
Operation Type	Manual
Production	Made in Denmark

DESIGN & MATERIALS

Material	Stainless steel / Powder coated aluminum
Finish	Standard black powder coating
Glass Quality	Tempered diamond clear glass
Standard Glass	1x Low Glass / 1x High Glass

MONTREAL - WITH DENVER MANUAL BURNER**PHYSICAL SPECIFICATIONS**

Gross Dimensions (mm)	W: 1200 × H: 400 × D: 308
Glass Dimensions (mm)	Low Glass: L: 764 × H: 110 × T: 10 / High Glass: L: 764 × H: 362 × T: 10
Weight: (kg)	42.0

BURNER DETAILS

Burner Model	Manual Burner 900 mm
Fuel Type	Bioethanol 95 - 96.5 %
Flametray (mm)	800
Flame Levels	Manual adjustment
Chimney	Not Required

PERFORMANCE

Capacity (L)	4.4
Max Level Burn Time (H)	7.0
Nominal Heat Output (kW)	6.1
Fuel consumption (ml/h)	N/A

INSTALLATION REQUIREMENTS

Cut-out Dimensions (mm)	W: 1210 × H: 410 × D: 308
Minimum Room Size (m ³)	72
Power Supply	Manual operation (no power required)
Installation Environment	Indoor

FEATURES

Safety Features	Safety Chamber
Add-on Features	External Fuel Pump without Coupling
Included Features	Shutter tool

DISCLAIMER – DECOFLAME A/S

All product specifications and technical data are subject to change without prior notice and are considered accurate as of the date of publication. Decoflame A/S, including its affiliates, employees, agents and other representatives (collectively referred to as "Decoflame A/S"), disclaims all liability for any errors, inaccuracies, or omissions in this document or in any other product-related information. Decoflame A/S shall not be held liable for any damage, loss, or indirect consequences arising from the use, installation, or operation of the products, unless otherwise required under applicable law. It is the user's responsibility to ensure correct installation and usage in accordance with applicable safety standards and the manufacturer's instructions. No licence, whether express or implied, to any intellectual property rights is granted through this document. Customers who use or sell Decoflame A/S products for purposes not explicitly specified do so at their own risk and agree to indemnify Decoflame A/S against any claims or damages resulting from such use. Fuel consumption may vary depending on individual units, environmental conditions, and operating parameters. Product images are for illustrative purposes only and may differ from the actual product. This limitation of liability does not apply where it would conflict with mandatory consumer protection laws.