

MONTREAL - WITH DENVER F6 BURNER

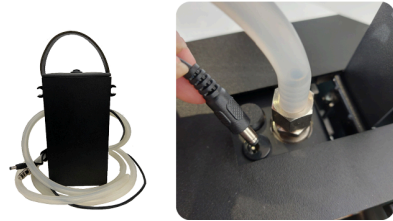
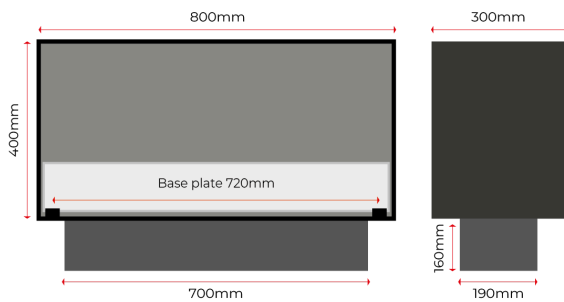
MONTREAL 800 mm - Front - Denver F6

This minimalist Montreal built-in fireplace, with a front-facing opening, is equipped with the advanced electronic Denver F6 burner. Smart control via display, remote, or app. Also available in a variety of configurations and with alternative burner options. Designed and produced in Denmark. Ideal as a stylish focal point for modern interiors.



OPERATION

The model is equipped with an electronic bio burner and can be operated either with the included remote control, via the control panel on the burner or the DecoFlame App, available for both Android and Apple.



ELECTRONIC PUMP

Included: External customised filling pump for safe and easy filling. Can also be used if the tank needs to be emptied.

GENERAL INFORMATION

Model	Montreal 800 mm
Configuration	Open to Front
Included Burner	Denver F6 720
Operation Type	Electronic
Production	Made in Denmark

DESIGN & MATERIALS

Material	Stainless steel / Powder coated aluminum
Finish	Standard black powder coating
Glass Quality	Tempered diamond clear glass
Standard Glass	1x Low Glass

MONTREAL - WITH DENVER F6 BURNER**PHYSICAL SPECIFICATIONS**

Gross Dimensions (mm)	W: 800 × H: 400 × D: 300
Glass Dimensions (mm)	Low Glass: L: 764 × H: 110 × T: 10
Weight: (kg)	33.0

BURNER DETAILS

Burner Model	Denver F6 720
Fuel Type	Bioethanol 95 - 96.5 %
Flametray (mm)	500
Flame Levels	6 + ECO-Wave
Chimney	Not Required

PERFORMANCE

Capacity (L)	4.0
Max Level Burn Time (H)	7.0
Nominal Heat Output (kW)	3.2
Fuel consumption (ml/h)	N/A

INSTALLATION REQUIREMENTS

Cut-out Dimensions (mm)	W: 810 × H: 410 × D: 308
Minimum Room Size (m ³)	64
Power Supply	230 V AC (220 V compatible), 50–60 Hz, earthed connection
Installation Environment	Indoor

FEATURES

Safety Features	Automatic emergency shut-off / Spill- and Safety sensors
Add-on Features	SmartHome integration / Preparation for Automatic Tank System / Automatic Tank System 60 L + 10 m cable and hose
Included Features	e-Ribbon Technology / Remote Control / App Operation / Large Fuel Tank / External Fuel Pump with Quick Connection

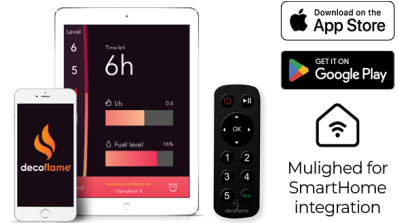
DISCLAIMER – DECOFLAME A/S

All product specifications and technical data are subject to change without prior notice and are considered accurate as of the date of publication. Decoflame A/S, including its affiliates, employees, agents and other representatives (collectively referred to as "Decoflame A/S"), disclaims all liability for any errors, inaccuracies, or omissions in this document or in any other product-related information. Decoflame A/S shall not be held liable for any damage, loss, or indirect consequences arising from the use, installation, or operation of the products, unless otherwise required under applicable law. It is the user's responsibility to ensure correct installation and usage in accordance with applicable safety standards and the manufacturer's instructions. No licence, whether express or implied, to any intellectual property rights is granted through this document. Customers who use or sell Decoflame A/S products for purposes not explicitly specified do so at their own risk and agree to indemnify Decoflame A/S against any claims or damages resulting from such use. Fuel consumption may vary depending on individual units, environmental conditions, and operating parameters. Product images are for illustrative purposes only and may differ from the actual product. This limitation of liability does not apply where it would conflict with mandatory consumer protection laws.

MONTREAL - WITH DENVER F6 BURNER

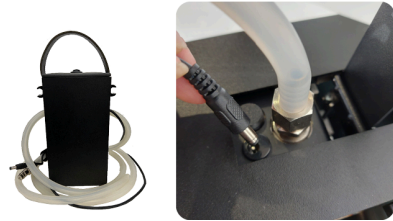
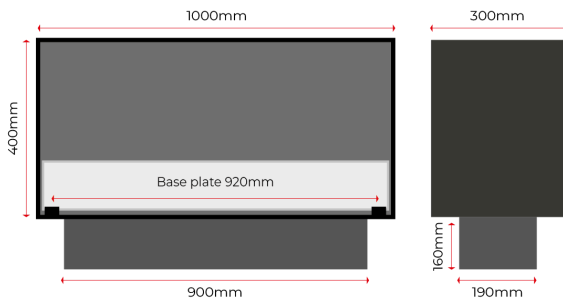
MONTREAL 1000 mm - Front - Denver F6

This minimalist Montreal built-in fireplace, with a front-facing opening, is equipped with the advanced electronic Denver F6 burner. Smart control via display, remote, or app. Also available in a variety of configurations and with alternative burner options. Designed and produced in Denmark. Ideal as a stylish focal point for modern interiors.



OPERATION

The model is equipped with an electronic bio burner and can be operated either with the included remote control, via the control panel on the burner or the DecoFlame App, available for both Android and Apple.



ELECTRONIC PUMP

Included: External customised filling pump for safe and easy filling. Can also be used if the tank needs to be emptied.

GENERAL INFORMATION

Model	Montreal 1000 mm
Configuration	Open to Front
Included Burner	Denver F6 920
Operation Type	Electronic
Production	Made in Denmark

DESIGN & MATERIALS

Material	Stainless steel / Powder coated aluminum
Finish	Standard black powder coating
Glass Quality	Tempered diamond clear glass
Standard Glass	1x Low Glass

MONTREAL - WITH DENVER F6 BURNER**PHYSICAL SPECIFICATIONS**

Gross Dimensions (mm)	W: 1000 × H: 400 × D: 300
Glass Dimensions (mm)	Low Glass: L: 764 × H: 110 × T: 10
Weight: (kg)	39.0

BURNER DETAILS

Burner Model	Denver F6 920
Fuel Type	Bioethanol 95 - 96.5 %
Flametray (mm)	700
Flame Levels	6 + ECO-Wave
Chimney	Not Required

PERFORMANCE

Capacity (L)	5.8
Max Level Burn Time (H)	7.5
Nominal Heat Output (kW)	4.3
Fuel consumption (ml/h)	N/A

INSTALLATION REQUIREMENTS

Cut-out Dimensions (mm)	W: 1010 × H: 410 × D: 308
Minimum Room Size (m ³)	89
Power Supply	230 V AC (220 V compatible), 50–60 Hz, earthed connection
Installation Environment	Indoor

FEATURES

Safety Features	Automatic emergency shut-off / Spill- and Safety sensors
Add-on Features	SmartHome integration / Preparation for Automatic Tank System / Automatic Tank System 60 L + 10 m cable and hose
Included Features	e-Ribbon Technology / Remote Control / App Operation / Large Fuel Tank / External Fuel Pump with Quick Connection

DISCLAIMER – DECOFLAME A/S

All product specifications and technical data are subject to change without prior notice and are considered accurate as of the date of publication. Decoflame A/S, including its affiliates, employees, agents and other representatives (collectively referred to as "Decoflame A/S"), disclaims all liability for any errors, inaccuracies, or omissions in this document or in any other product-related information. Decoflame A/S shall not be held liable for any damage, loss, or indirect consequences arising from the use, installation, or operation of the products, unless otherwise required under applicable law. It is the user's responsibility to ensure correct installation and usage in accordance with applicable safety standards and the manufacturer's instructions. No licence, whether express or implied, to any intellectual property rights is granted through this document. Customers who use or sell Decoflame A/S products for purposes not explicitly specified do so at their own risk and agree to indemnify Decoflame A/S against any claims or damages resulting from such use. Fuel consumption may vary depending on individual units, environmental conditions, and operating parameters. Product images are for illustrative purposes only and may differ from the actual product. This limitation of liability does not apply where it would conflict with mandatory consumer protection laws.

MONTREAL - WITH DENVER F6 BURNER

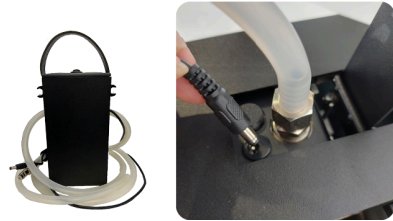
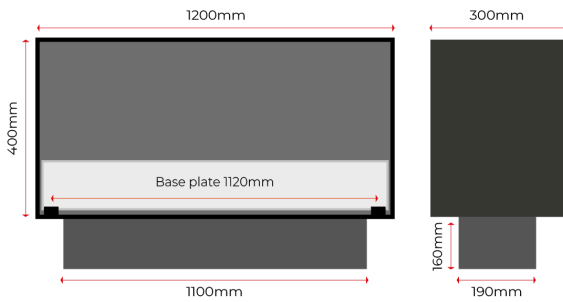
MONTREAL 1200 mm - Front - Denver F6

This minimalist Montreal built-in fireplace, with a front-facing opening, is equipped with the advanced electronic Denver F6 burner. Smart control via display, remote, or app. Also available in a variety of configurations and with alternative burner options. Designed and produced in Denmark. Ideal as a stylish focal point for modern interiors.



OPERATION

The model is equipped with an electronic bio burner and can be operated either with the included remote control, via the control panel on the burner or the DecoFlame App, available for both Android and Apple.



ELECTRONIC PUMP

Included: External customised filling pump for safe and easy filling. Can also be used if the tank needs to be emptied.

GENERAL INFORMATION

Model	Montreal 1200 mm
Configuration	Open to Front
Included Burner	Denver F6 1120
Operation Type	Electronic
Production	Made in Denmark

DESIGN & MATERIALS

Material	Stainless steel / Powder coated aluminum
Finish	Standard black powder coating
Glass Quality	Tempered diamond clear glass
Standard Glass	1x Low Glass

MONTREAL - WITH DENVER F6 BURNER**PHYSICAL SPECIFICATIONS**

Gross Dimensions (mm)	W: 1200 × H: 400 × D: 300
Glass Dimensions (mm)	Low Glass: L: 764 × H: 110 × T: 10
Weight: (kg)	44.0

BURNER DETAILS

Burner Model	Denver F6 1120
Fuel Type	Bioethanol 95 - 96.5 %
Flametray (mm)	900
Flame Levels	6 + ECO-Wave
Chimney	Not Required

PERFORMANCE

Capacity (L)	7.2
Max Level Burn Time (H)	7.0
Nominal Heat Output (kW)	5.7
Fuel consumption (ml/h)	N/A

INSTALLATION REQUIREMENTS

Cut-out Dimensions (mm)	W: 1210 × H: 410 × D: 308
Minimum Room Size (m ³)	115
Power Supply	230 V AC (220 V compatible), 50–60 Hz, earthed connection
Installation Environment	Indoor

FEATURES

Safety Features	Automatic emergency shut-off / Spill- and Safety sensors
Add-on Features	SmartHome integration / Preparation for Automatic Tank System / Automatic Tank System 60 L + 10 m cable and hose
Included Features	e-Ribbon Technology / Remote Control / App Operation / Large Fuel Tank / External Fuel Pump with Quick Connection

DISCLAIMER – DECOFLAME A/S

All product specifications and technical data are subject to change without prior notice and are considered accurate as of the date of publication. Decoflame A/S, including its affiliates, employees, agents and other representatives (collectively referred to as "Decoflame A/S"), disclaims all liability for any errors, inaccuracies, or omissions in this document or in any other product-related information. Decoflame A/S shall not be held liable for any damage, loss, or indirect consequences arising from the use, installation, or operation of the products, unless otherwise required under applicable law. It is the user's responsibility to ensure correct installation and usage in accordance with applicable safety standards and the manufacturer's instructions. No licence, whether express or implied, to any intellectual property rights is granted through this document. Customers who use or sell Decoflame A/S products for purposes not explicitly specified do so at their own risk and agree to indemnify Decoflame A/S against any claims or damages resulting from such use. Fuel consumption may vary depending on individual units, environmental conditions, and operating parameters. Product images are for illustrative purposes only and may differ from the actual product. This limitation of liability does not apply where it would conflict with mandatory consumer protection laws.