

**MONTREAL - WITH DENVER F6 BURNER**

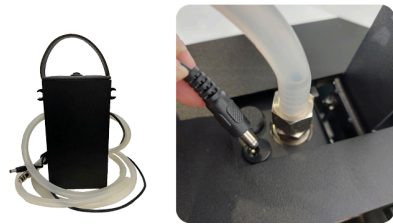
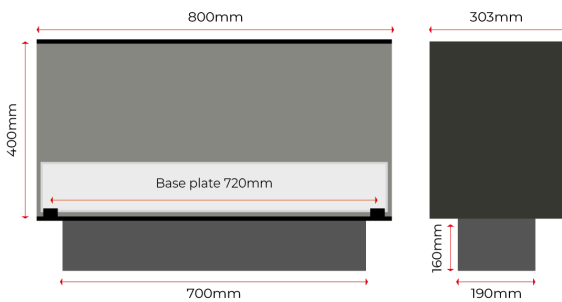
## MONTREAL 800 mm - 3 sides - Denver F6

This stylish Montreal built-in fireplace, open on the front and both sides, includes the advanced electronic Denver F6 burner. Smart control via display, remote, or app. Also available in a variety of configurations and with alternative burner options. Designed and produced in Denmark. Ideal as a stylish focal point for modern interiors.



### OPERATION

The model is equipped with an electronic bio burner and can be operated either with the included remote control, via the control panel on the burner or the DecoFlame App, available for both Android and Apple.



### ELECTRONIC PUMP

Included: External customised filling pump for safe and easy filling. Can also be used if the tank needs to be emptied.

### GENERAL INFORMATION

|                 |                               |
|-----------------|-------------------------------|
| Model           | Montreal 800 mm               |
| Configuration   | Open to Front, Right and Left |
| Included Burner | Denver F6 720                 |
| Operation Type  | Electronic                    |
| Production      | Made in Denmark               |

### DESIGN & MATERIALS

|                |  |
|----------------|--|
| Material       | Stainless steel / Powder coated aluminum |
| Finish         | Standard black powder coating            |
| Glass Quality  | Tempered diamond clear glass             |
| Standard Glass | 3x Low Glass                             |

**MONTREAL - WITH DENVER F6 BURNER****PHYSICAL SPECIFICATIONS**

|                       |  |
|-----------------------|--|
| Gross Dimensions (mm) | W: 800 × H: 400 × D: 303                                     |
| Glass Dimensions (mm) | Low Glass: L: 769 × H: 110 × T: 10 / L: 271 × H: 110 × T: 10 |
| Weight: (kg)          | 33.0   |

**BURNER DETAILS**

|                |                        |
|----------------|------------------------|
| Burner Model   | Denver F6 720          |
| Fuel Type      | Bioethanol 95 - 96.5 % |
| Flametray (mm) | 500                    |
| Flame Levels   | 6 + ECO-Wave           |
| Chimney        | Not Required           |

**PERFORMANCE**

|                          |     |
|--------------------------|-----|
| Capacity (L)             | 4.0 |
| Max Level Burn Time (H)  | 7.0 |
| Nominal Heat Output (kW) | 3.2 |
| Fuel consumption (ml/h)  | N/A |

**INSTALLATION REQUIREMENTS**

|                                     |   |
|-------------------------------------|---|
| Cut-out Dimensions (mm)             | W: 800 × H: 410 × D: 305                                  |
| Minimum Room Size (m <sup>3</sup> ) | 64  |
| Power Supply                        | 230 V AC (220 V compatible), 50–60 Hz, earthed connection |
| Installation Environment            | Indoor  |

**FEATURES**

|                   |   |
|-------------------|---|
| Safety Features   | Automatic emergency shut-off / Spill- and Safety sensors  |
| Add-on Features   | SmartHome integration / Preparation for Automatic Tank System / Automatic Tank System 60 L + 10 m cable and hose  |
| Included Features | e-Ribbon Technology / Remote Control / App Operation / Large Fuel Tank / External Fuel Pump with Quick Connection |

**DISCLAIMER – DECOFLAME A/S**

All product specifications and technical data are subject to change without prior notice and are considered accurate as of the date of publication. Decoflame A/S, including its affiliates, employees, agents and other representatives (collectively referred to as "Decoflame A/S"), disclaims all liability for any errors, inaccuracies, or omissions in this document or in any other product-related information. Decoflame A/S shall not be held liable for any damage, loss, or indirect consequences arising from the use, installation, or operation of the products, unless otherwise required under applicable law. It is the user's responsibility to ensure correct installation and usage in accordance with applicable safety standards and the manufacturer's instructions. No licence, whether express or implied, to any intellectual property rights is granted through this document. Customers who use or sell Decoflame A/S products for purposes not explicitly specified do so at their own risk and agree to indemnify Decoflame A/S against any claims or damages resulting from such use. Fuel consumption may vary depending on individual units, environmental conditions, and operating parameters. Product images are for illustrative purposes only and may differ from the actual product. This limitation of liability does not apply where it would conflict with mandatory consumer protection laws.

**MONTREAL - WITH DENVER F6 BURNER**

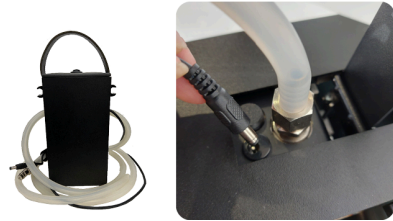
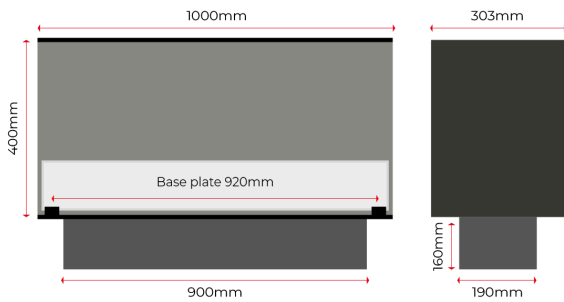
## MONTREAL 1000 mm - 3 sides - Denver F6

This stylish Montreal built-in fireplace, open on the front and both sides, includes the advanced electronic Denver F6 burner. Smart control via display, remote, or app. Also available in a variety of configurations and with alternative burner options. Designed and produced in Denmark. Ideal as a stylish focal point for modern interiors.



### OPERATION

The model is equipped with an electronic bio burner and can be operated either with the included remote control, via the control panel on the burner or the Decoflame App, available for both Android and Apple.



### ELECTRONIC PUMP

Included: External customised filling pump for safe and easy filling. Can also be used if the tank needs to be emptied.

### GENERAL INFORMATION

|                 |                               |
|-----------------|-------------------------------|
| Model           | Montreal 1000 mm              |
| Configuration   | Open to Front, Right and Left |
| Included Burner | Denver F6 920                 |
| Operation Type  | Electronic                    |
| Production      | Made in Denmark               |

### DESIGN & MATERIALS

|                |  |
|----------------|--|
| Material       | Stainless steel / Powder coated aluminum |
| Finish         | Standard black powder coating            |
| Glass Quality  | Tempered diamond clear glass             |
| Standard Glass | 3x Low Glass                             |

**MONTREAL - WITH DENVER F6 BURNER****PHYSICAL SPECIFICATIONS**

|                       |  |
|-----------------------|--|
| Gross Dimensions (mm) | W: 1000 × H: 400 × D: 303                                    |
| Glass Dimensions (mm) | Low Glass: L: 769 × H: 110 × T: 10 / L: 271 × H: 110 × T: 10 |
| Weight: (kg)          | 39.0   |

**BURNER DETAILS**

|                |                        |
|----------------|------------------------|
| Burner Model   | Denver F6 920          |
| Fuel Type      | Bioethanol 95 - 96.5 % |
| Flametray (mm) | 700                    |
| Flame Levels   | 6 + ECO-Wave           |
| Chimney        | Not Required           |

**PERFORMANCE**

|                          |     |
|--------------------------|-----|
| Capacity (L)             | 5.8 |
| Max Level Burn Time (H)  | 7.5 |
| Nominal Heat Output (kW) | 4.3 |
| Fuel consumption (ml/h)  | N/A |

**INSTALLATION REQUIREMENTS**

|                                     |   |
|-------------------------------------|---|
| Cut-out Dimensions (mm)             | W: 1000 × H: 410 × D: 305                                 |
| Minimum Room Size (m <sup>3</sup> ) | 89  |
| Power Supply                        | 230 V AC (220 V compatible), 50–60 Hz, earthed connection |
| Installation Environment            | Indoor  |

**FEATURES**

|                   |   |
|-------------------|---|
| Safety Features   | Automatic emergency shut-off / Spill- and Safety sensors  |
| Add-on Features   | SmartHome integration / Preparation for Automatic Tank System / Automatic Tank System 60 L + 10 m cable and hose  |
| Included Features | e-Ribbon Technology / Remote Control / App Operation / Large Fuel Tank / External Fuel Pump with Quick Connection |

**DISCLAIMER – DECOFLAME A/S**

All product specifications and technical data are subject to change without prior notice and are considered accurate as of the date of publication. Decoflame A/S, including its affiliates, employees, agents and other representatives (collectively referred to as "Decoflame A/S"), disclaims all liability for any errors, inaccuracies, or omissions in this document or in any other product-related information. Decoflame A/S shall not be held liable for any damage, loss, or indirect consequences arising from the use, installation, or operation of the products, unless otherwise required under applicable law. It is the user's responsibility to ensure correct installation and usage in accordance with applicable safety standards and the manufacturer's instructions. No licence, whether express or implied, to any intellectual property rights is granted through this document. Customers who use or sell Decoflame A/S products for purposes not explicitly specified do so at their own risk and agree to indemnify Decoflame A/S against any claims or damages resulting from such use. Fuel consumption may vary depending on individual units, environmental conditions, and operating parameters. Product images are for illustrative purposes only and may differ from the actual product. This limitation of liability does not apply where it would conflict with mandatory consumer protection laws.

**MONTREAL - WITH DENVER F6 BURNER**

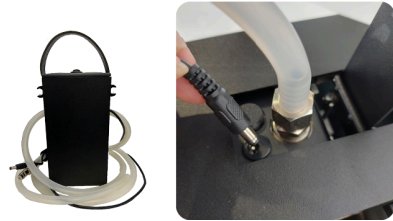
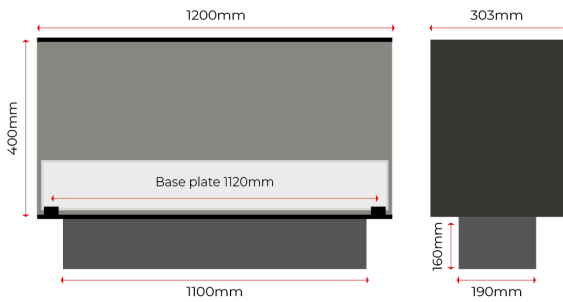
## MONTREAL 1200 mm - 3 sides - Denver F6

This stylish Montreal built-in fireplace, open on the front and both sides, includes the advanced electronic Denver F6 burner. Smart control via display, remote, or app. Also available in a variety of configurations and with alternative burner options. Designed and produced in Denmark. Ideal as a stylish focal point for modern interiors.



### OPERATION

The model is equipped with an electronic bio burner and can be operated either with the included remote control, via the control panel on the burner or the DecoFlame App, available for both Android and Apple.



### ELECTRONIC PUMP

Included: External customised filling pump for safe and easy filling. Can also be used if the tank needs to be emptied.

### GENERAL INFORMATION

|                 |                               |
|-----------------|-------------------------------|
| Model           | Montreal 1200 mm              |
| Configuration   | Open to Front, Right and Left |
| Included Burner | Denver F6 1120                |
| Operation Type  | Electronic                    |
| Production      | Made in Denmark               |

### DESIGN & MATERIALS

|                |  |
|----------------|--|
| Material       | Stainless steel / Powder coated aluminum |
| Finish         | Standard black powder coating            |
| Glass Quality  | Tempered diamond clear glass             |
| Standard Glass | 3x Low Glass                             |

**MONTREAL - WITH DENVER F6 BURNER****PHYSICAL SPECIFICATIONS**

|                       |  |
|-----------------------|--|
| Gross Dimensions (mm) | W: 1200 × H: 400 × D: 303                                    |
| Glass Dimensions (mm) | Low Glass: L: 769 × H: 110 × T: 10 / L: 271 × H: 110 × T: 10 |
| Weight: (kg)          | 44.0   |

**BURNER DETAILS**

|                |                        |
|----------------|------------------------|
| Burner Model   | Denver F6 1120         |
| Fuel Type      | Bioethanol 95 - 96.5 % |
| Flametray (mm) | 900                    |
| Flame Levels   | 6 + ECO-Wave           |
| Chimney        | Not Required           |

**PERFORMANCE**

|                          |     |
|--------------------------|-----|
| Capacity (L)             | 7.2 |
| Max Level Burn Time (H)  | 7.0 |
| Nominal Heat Output (kW) | 5.7 |
| Fuel consumption (ml/h)  | N/A |

**INSTALLATION REQUIREMENTS**

|                                     |   |
|-------------------------------------|---|
| Cut-out Dimensions (mm)             | W: 1200 × H: 410 × D: 305                                 |
| Minimum Room Size (m <sup>3</sup> ) | 115   |
| Power Supply                        | 230 V AC (220 V compatible), 50–60 Hz, earthed connection |
| Installation Environment            | Indoor  |

**FEATURES**

|                   |   |
|-------------------|---|
| Safety Features   | Automatic emergency shut-off / Spill- and Safety sensors  |
| Add-on Features   | SmartHome integration / Preparation for Automatic Tank System / Automatic Tank System 60 L + 10 m cable and hose  |
| Included Features | e-Ribbon Technology / Remote Control / App Operation / Large Fuel Tank / External Fuel Pump with Quick Connection |

**DISCLAIMER – DECOFLAME A/S**

All product specifications and technical data are subject to change without prior notice and are considered accurate as of the date of publication. Decoflame A/S, including its affiliates, employees, agents and other representatives (collectively referred to as "Decoflame A/S"), disclaims all liability for any errors, inaccuracies, or omissions in this document or in any other product-related information. Decoflame A/S shall not be held liable for any damage, loss, or indirect consequences arising from the use, installation, or operation of the products, unless otherwise required under applicable law. It is the user's responsibility to ensure correct installation and usage in accordance with applicable safety standards and the manufacturer's instructions. No licence, whether express or implied, to any intellectual property rights is granted through this document. Customers who use or sell Decoflame A/S products for purposes not explicitly specified do so at their own risk and agree to indemnify Decoflame A/S against any claims or damages resulting from such use. Fuel consumption may vary depending on individual units, environmental conditions, and operating parameters. Product images are for illustrative purposes only and may differ from the actual product. This limitation of liability does not apply where it would conflict with mandatory consumer protection laws.