

**MONTREAL - WITH DENVER F3 BURNER**

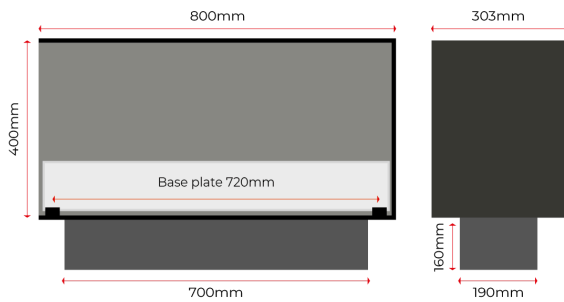
## MONTREAL 800 mm - Front/Left - Denver F3

This versatile Montreal built-in fireplace, open on the front, back and both sides, integrates the electronic Denver F3 burner. Explore other layout variations and burner options to suit your space. Designed and produced in Denmark.



**OPERATION**

The model features an electronic bio burner and can only be operated using the included remote control or via the control panel on the burner.



**ELECTRONIC PUMP**

Included: External customised filling pump for safe and easy filling. Can also be used if the tank needs to be emptied.

**GENERAL INFORMATION**

Model	Montreal 800 mm
Configuration	Open to Front and Left
Included Burner	Denver F3 720
Operation Type	Electronic
Production	Made in Denmark

**DESIGN & MATERIALS**

Material	Stainless steel / Powder coated aluminum
Finish	Standard black powder coating
Glass Quality	Tempered diamond clear glass
Standard Glass	2x Low Glass

**MONTREAL - WITH DENVER F3 BURNER****PHYSICAL SPECIFICATIONS**

Gross Dimensions (mm)	W: 800 × H: 400 × D: 303
Glass Dimensions (mm)	Low Glass: L: 769 × H: 110 × T: 10 / L: 279 × H: 110 × T: 10
Weight: (kg)	35.0

**BURNER DETAILS**

Burner Model	Denver F3 720
Fuel Type	Bioethanol 95 - 96.5 %
Flametray (mm)	500
Flame Levels	3
Chimney	Not Required

**PERFORMANCE**

Capacity (L)	4.0
Max Level Burn Time (H)	7.0
Nominal Heat Output (kW)	3.2
Fuel consumption (ml/h)	N/A

**INSTALLATION REQUIREMENTS**

Cut-out Dimensions (mm)	W: 805 × H: 410 × D: 308
Minimum Room Size (m <sup>3</sup> )	64
Power Supply	230 V AC (220 V compatible), 50–60 Hz, earthed connection
Installation Environment	Indoor

**FEATURES**

Safety Features	Automatic emergency shut-off / Spill- and Safety sensors
Add-on Features	N/A
Included Features	e-Ribbon Technology / Remote Control / Large Fuel Tank / External Fuel Pump with Quick Connection

**DISCLAIMER – DECOFLAME A/S**

All product specifications and technical data are subject to change without prior notice and are considered accurate as of the date of publication. Decoflame A/S, including its affiliates, employees, agents and other representatives (collectively referred to as "Decoflame A/S"), disclaims all liability for any errors, inaccuracies, or omissions in this document or in any other product-related information. Decoflame A/S shall not be held liable for any damage, loss, or indirect consequences arising from the use, installation, or operation of the products, unless otherwise required under applicable law. It is the user's responsibility to ensure correct installation and usage in accordance with applicable safety standards and the manufacturer's instructions. No licence, whether express or implied, to any intellectual property rights is granted through this document. Customers who use or sell Decoflame A/S products for purposes not explicitly specified do so at their own risk and agree to indemnify Decoflame A/S against any claims or damages resulting from such use. Fuel consumption may vary depending on individual units, environmental conditions, and operating parameters. Product images are for illustrative purposes only and may differ from the actual product. This limitation of liability does not apply where it would conflict with mandatory consumer protection laws.

**MONTREAL - WITH DENVER F3 BURNER**

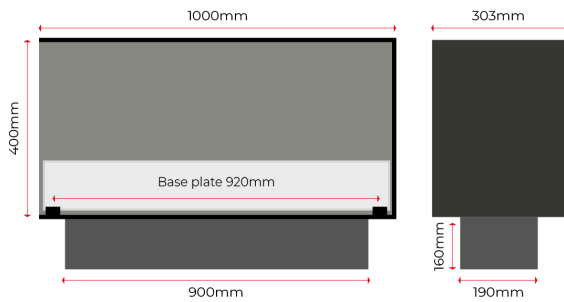
## MONTREAL 1000 mm - Front/Left- Denver F3

This versatile Montreal built-in fireplace, open on the front, back and both sides, integrates the electronic Denver F3 burner. Explore other layout variations and burner options to suit your space. Designed and produced in Denmark.



**OPERATION**

The model features an electronic bio burner and can only be operated using the included remote control or via the control panel on the burner.



**ELECTRONIC PUMP**

Included: External customised filling pump for safe and easy filling. Can also be used if the tank needs to be emptied.

**GENERAL INFORMATION**

Model	Montreal 1000 mm
Configuration	Open to Front and Left
Included Burner	Denver F3 920
Operation Type	Electronic
Production	Made in Denmark

**DESIGN & MATERIALS**

Material	Stainless steel / Powder coated aluminum
Finish	Standard black powder coating
Glass Quality	Tempered diamond clear glass
Standard Glass	2x Low Glass

**MONTREAL - WITH DENVER F3 BURNER****PHYSICAL SPECIFICATIONS**

Gross Dimensions (mm)	W: 1000 × H: 400 × D: 303
Glass Dimensions (mm)	Low Glass: L: 769 × H: 110 × T: 10 / L: 279 × H: 110 × T: 10
Weight: (kg)	41.0

**BURNER DETAILS**

Burner Model	Denver F3 920
Fuel Type	Bioethanol 95 - 96.5 %
Flametray (mm)	700
Flame Levels	3
Chimney	Not Required

**PERFORMANCE**

Capacity (L)	5.8
Max Level Burn Time (H)	7.5
Nominal Heat Output (kW)	4.3
Fuel consumption (ml/h)	N/A

**INSTALLATION REQUIREMENTS**

Cut-out Dimensions (mm)	W: 1005 × H: 410 × D: 308
Minimum Room Size (m <sup>3</sup> )	89
Power Supply	230 V AC (220 V compatible), 50–60 Hz, earthed connection
Installation Environment	Indoor

**FEATURES**

Safety Features	Automatic emergency shut-off / Spill- and Safety sensors
Add-on Features	N/A
Included Features	e-Ribbon Technology / Remote Control / Large Fuel Tank / External Fuel Pump with Quick Connection

**DISCLAIMER – DECOFLAME A/S**

All product specifications and technical data are subject to change without prior notice and are considered accurate as of the date of publication. Decoflame A/S, including its affiliates, employees, agents and other representatives (collectively referred to as "Decoflame A/S"), disclaims all liability for any errors, inaccuracies, or omissions in this document or in any other product-related information. Decoflame A/S shall not be held liable for any damage, loss, or indirect consequences arising from the use, installation, or operation of the products, unless otherwise required under applicable law. It is the user's responsibility to ensure correct installation and usage in accordance with applicable safety standards and the manufacturer's instructions. No licence, whether express or implied, to any intellectual property rights is granted through this document. Customers who use or sell Decoflame A/S products for purposes not explicitly specified do so at their own risk and agree to indemnify Decoflame A/S against any claims or damages resulting from such use. Fuel consumption may vary depending on individual units, environmental conditions, and operating parameters. Product images are for illustrative purposes only and may differ from the actual product. This limitation of liability does not apply where it would conflict with mandatory consumer protection laws.

**MONTREAL - WITH DENVER F3 BURNER**

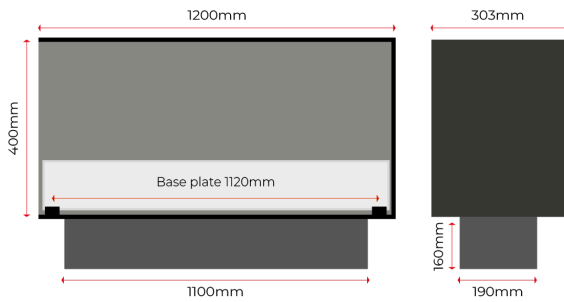
## MONTREAL 1200 mm - Front/Left- Denver F3

This versatile Montreal built-in fireplace, open on the front, back and both sides, integrates the electronic Denver F3 burner. Explore other layout variations and burner options to suit your space. Designed and produced in Denmark.



**OPERATION**

The model features an electronic bio burner and can only be operated using the included remote control or via the control panel on the burner.



**ELECTRONIC PUMP**

Included: External customised filling pump for safe and easy filling. Can also be used if the tank needs to be emptied.

**GENERAL INFORMATION**

Model	Montreal 1200 mm
Configuration	Open to Front and Left
Included Burner	Denver F3 1120
Operation Type	Electronic
Production	Made in Denmark

**DESIGN & MATERIALS**

Material	Stainless steel / Powder coated aluminum
Finish	Standard black powder coating
Glass Quality	Tempered diamond clear glass
Standard Glass	2x Low Glass

**MONTREAL - WITH DENVER F3 BURNER****PHYSICAL SPECIFICATIONS**

Gross Dimensions (mm)	W: 1200 × H: 400 × D: 303
Glass Dimensions (mm)	Low Glass: L: 769 × H: 110 × T: 10 / L: 279 × H: 110 × T: 10
Weight: (kg)	47.0

**BURNER DETAILS**

Burner Model	Denver F3 1120
Fuel Type	Bioethanol 95 - 96.5 %
Flametray (mm)	900
Flame Levels	3
Chimney	Not Required

**PERFORMANCE**

Capacity (L)	7.2
Max Level Burn Time (H)	7.3
Nominal Heat Output (kW)	5.7
Fuel consumption (ml/h)	N/A

**INSTALLATION REQUIREMENTS**

Cut-out Dimensions (mm)	W: 1205 × H: 410 × D: 308
Minimum Room Size (m <sup>3</sup> )	115
Power Supply	230 V AC (220 V compatible), 50–60 Hz, earthed connection
Installation Environment	Indoor

**FEATURES**

Safety Features	Automatic emergency shut-off / Spill- and Safety sensors
Add-on Features	N/A
Included Features	e-Ribbon Technology / Remote Control / Large Fuel Tank / External Fuel Pump with Quick Connection

**DISCLAIMER – DECOFLAME A/S**

All product specifications and technical data are subject to change without prior notice and are considered accurate as of the date of publication. Decoflame A/S, including its affiliates, employees, agents and other representatives (collectively referred to as "Decoflame A/S"), disclaims all liability for any errors, inaccuracies, or omissions in this document or in any other product-related information. Decoflame A/S shall not be held liable for any damage, loss, or indirect consequences arising from the use, installation, or operation of the products, unless otherwise required under applicable law. It is the user's responsibility to ensure correct installation and usage in accordance with applicable safety standards and the manufacturer's instructions. No licence, whether express or implied, to any intellectual property rights is granted through this document. Customers who use or sell Decoflame A/S products for purposes not explicitly specified do so at their own risk and agree to indemnify Decoflame A/S against any claims or damages resulting from such use. Fuel consumption may vary depending on individual units, environmental conditions, and operating parameters. Product images are for illustrative purposes only and may differ from the actual product. This limitation of liability does not apply where it would conflict with mandatory consumer protection laws.

**MONTREAL - WITH DENVER F3 BURNER**

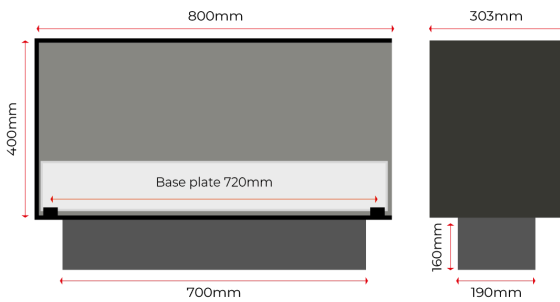
## MONTREAL 800 mm - Front/Right - Denver F3

This sleek Montreal built-in fireplace, with an open front and right-side design, includes the electronic Denver F3 burner. Also available in multiple configurations and with different burner types to suit your interior. Designed and produced in Denmark.



### OPERATION

The model features an electronic bio burner and can only be operated using the included remote control or via the control panel on the burner.



### ELECTRONIC PUMP

Included: External customised filling pump for safe and easy filling. Can also be used if the tank needs to be emptied.

### GENERAL INFORMATION

Model	Montreal 800 mm
Configuration	Open to Front and Right
Included Burner	Denver F3 720
Operation Type	Electronic
Production	Made in Denmark

### DESIGN & MATERIALS

Material	Stainless steel / Powder coated aluminum
Finish	Standard black powder coating
Glass Quality	Tempered diamond clear glass
Standard Glass	2x Low Glass

**MONTREAL - WITH DENVER F3 BURNER****PHYSICAL SPECIFICATIONS**

Gross Dimensions (mm)	W: 800 × H: 400 × D: 303
Glass Dimensions (mm)	Low Glass: L: 769 × H: 110 × T: 10 / L: 271 × H: 110 × T: 10
Weight: (kg)	35.0

**BURNER DETAILS**

Burner Model	Denver F3 720
Fuel Type	Bioethanol 95 - 96.5 %
Flametray (mm)	500
Flame Levels	3
Chimney	Not Required

**PERFORMANCE**

Capacity (L)	4.0
Max Level Burn Time (H)	7.0
Nominal Heat Output (kW)	3.2
Fuel consumption (ml/h)	N/A

**INSTALLATION REQUIREMENTS**

Cut-out Dimensions (mm)	W: 805 × H: 410 × D: 308
Minimum Room Size (m <sup>3</sup> )	64
Power Supply	230 V AC (220 V compatible), 50–60 Hz, earthed connection
Installation Environment	Indoor

**FEATURES**

Safety Features	Automatic emergency shut-off / Spill- and Safety sensors
Add-on Features	N/A
Included Features	e-Ribbon Technology / Remote Control / Large Fuel Tank / External Fuel Pump with Quick Connection

**DISCLAIMER – DECOFLAME A/S**

All product specifications and technical data are subject to change without prior notice and are considered accurate as of the date of publication. Decoflame A/S, including its affiliates, employees, agents and other representatives (collectively referred to as "Decoflame A/S"), disclaims all liability for any errors, inaccuracies, or omissions in this document or in any other product-related information. Decoflame A/S shall not be held liable for any damage, loss, or indirect consequences arising from the use, installation, or operation of the products, unless otherwise required under applicable law. It is the user's responsibility to ensure correct installation and usage in accordance with applicable safety standards and the manufacturer's instructions. No licence, whether express or implied, to any intellectual property rights is granted through this document. Customers who use or sell Decoflame A/S products for purposes not explicitly specified do so at their own risk and agree to indemnify Decoflame A/S against any claims or damages resulting from such use. Fuel consumption may vary depending on individual units, environmental conditions, and operating parameters. Product images are for illustrative purposes only and may differ from the actual product. This limitation of liability does not apply where it would conflict with mandatory consumer protection laws.

**MONTREAL - WITH DENVER F3 BURNER**

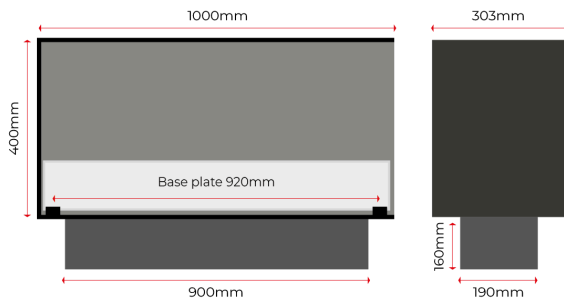
## MONTREAL 1000 mm - Front/Right - Denver F3

This sleek Montreal built-in fireplace, with an open front and right-side design, includes the electronic Denver F3 burner. Also available in multiple configurations and with different burner types to suit your interior. Designed and produced in Denmark.



### OPERATION

The model features an electronic bio burner and can only be operated using the included remote control or via the control panel on the burner.



### ELECTRONIC PUMP

Included: External customised filling pump for safe and easy filling. Can also be used if the tank needs to be emptied.

### GENERAL INFORMATION

Model	Montreal 1000 mm
Configuration	Open to Front and Right
Included Burner	Denver F3 920
Operation Type	Electronic
Production	Made in Denmark

### DESIGN & MATERIALS

Material	Stainless steel / Powder coated aluminum
Finish	Standard black powder coating
Glass Quality	Tempered diamond clear glass
Standard Glass	2x Low Glass

**MONTREAL - WITH DENVER F3 BURNER****PHYSICAL SPECIFICATIONS**

Gross Dimensions (mm)	W: 1000 × H: 400 × D: 303
Glass Dimensions (mm)	Low Glass: L: 769 × H: 110 × T: 10 / L: 271 × H: 110 × T: 10
Weight: (kg)	41.0

**BURNER DETAILS**

Burner Model	Denver F3 920
Fuel Type	Bioethanol 95 - 96.5 %
Flametray (mm)	700
Flame Levels	3
Chimney	Not Required

**PERFORMANCE**

Capacity (L)	5.8
Max Level Burn Time (H)	7.5
Nominal Heat Output (kW)	4.3
Fuel consumption (ml/h)	N/A

**INSTALLATION REQUIREMENTS**

Cut-out Dimensions (mm)	W: 1005 × H: 410 × D: 308
Minimum Room Size (m <sup>3</sup> )	89
Power Supply	230 V AC (220 V compatible), 50–60 Hz, earthed connection
Installation Environment	Indoor

**FEATURES**

Safety Features	Automatic emergency shut-off / Spill- and Safety sensors
Add-on Features	N/A
Included Features	e-Ribbon Technology / Remote Control / Large Fuel Tank / External Fuel Pump with Quick Connection

**DISCLAIMER – DECOFLAME A/S**

All product specifications and technical data are subject to change without prior notice and are considered accurate as of the date of publication. Decoflame A/S, including its affiliates, employees, agents and other representatives (collectively referred to as "Decoflame A/S"), disclaims all liability for any errors, inaccuracies, or omissions in this document or in any other product-related information. Decoflame A/S shall not be held liable for any damage, loss, or indirect consequences arising from the use, installation, or operation of the products, unless otherwise required under applicable law. It is the user's responsibility to ensure correct installation and usage in accordance with applicable safety standards and the manufacturer's instructions. No licence, whether express or implied, to any intellectual property rights is granted through this document. Customers who use or sell Decoflame A/S products for purposes not explicitly specified do so at their own risk and agree to indemnify Decoflame A/S against any claims or damages resulting from such use. Fuel consumption may vary depending on individual units, environmental conditions, and operating parameters. Product images are for illustrative purposes only and may differ from the actual product. This limitation of liability does not apply where it would conflict with mandatory consumer protection laws.

**MONTREAL - WITH DENVER F3 BURNER**

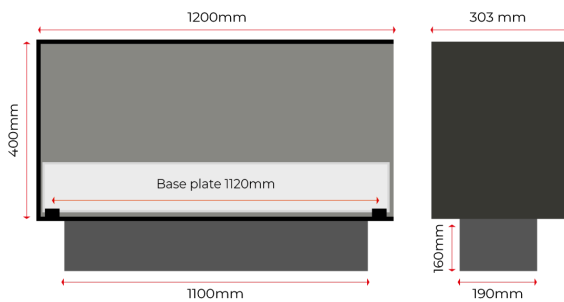
## MONTREAL 1200 mm - Front/Right - Denver F3

This sleek Montreal built-in fireplace, with an open front and right-side design, includes the electronic Denver F3 burner. Also available in multiple configurations and with different burner types to suit your interior. Designed and produced in Denmark.



### OPERATION

The model features an electronic bio burner and can only be operated using the included remote control or via the control panel on the burner.



### ELECTRONIC PUMP

Included: External customised filling pump for safe and easy filling. Can also be used if the tank needs to be emptied.

### GENERAL INFORMATION

Model	Montreal 1200 mm
Configuration	Open to Front and Right
Included Burner	Denver F3 1120
Operation Type	Electronic
Production	Made in Denmark

### DESIGN & MATERIALS

Material	Stainless steel / Powder coated aluminum
Finish	Standard black powder coating
Glass Quality	Tempered diamond clear glass
Standard Glass	2x Low Glass

**MONTREAL - WITH DENVER F3 BURNER****PHYSICAL SPECIFICATIONS**

Gross Dimensions (mm)	W: 1200 × H: 400 × D: 303
Glass Dimensions (mm)	Low Glass: L: 769 × H: 110 × T: 10 / L: 271 × H: 110 × T: 10
Weight: (kg)	47.0

**BURNER DETAILS**

Burner Model	Denver F3 1120
Fuel Type	Bioethanol 95 - 96.5 %
Flametray (mm)	900
Flame Levels	3
Chimney	Not Required

**PERFORMANCE**

Capacity (L)	7.2
Max Level Burn Time (H)	7.3
Nominal Heat Output (kW)	5.7
Fuel consumption (ml/h)	N/A

**INSTALLATION REQUIREMENTS**

Cut-out Dimensions (mm)	W: 1205 × H: 410 × D: 308
Minimum Room Size (m <sup>3</sup> )	115
Power Supply	230 V AC (220 V compatible), 50–60 Hz, earthed connection
Installation Environment	Indoor

**FEATURES**

Safety Features	Automatic emergency shut-off / Spill- and Safety sensors
Add-on Features	N/A
Included Features	e-Ribbon Technology / Remote Control / Large Fuel Tank / External Fuel Pump with Quick Connection

**DISCLAIMER – DECOFLAME A/S**

All product specifications and technical data are subject to change without prior notice and are considered accurate as of the date of publication. Decoflame A/S, including its affiliates, employees, agents and other representatives (collectively referred to as "Decoflame A/S"), disclaims all liability for any errors, inaccuracies, or omissions in this document or in any other product-related information. Decoflame A/S shall not be held liable for any damage, loss, or indirect consequences arising from the use, installation, or operation of the products, unless otherwise required under applicable law. It is the user's responsibility to ensure correct installation and usage in accordance with applicable safety standards and the manufacturer's instructions. No licence, whether express or implied, to any intellectual property rights is granted through this document. Customers who use or sell Decoflame A/S products for purposes not explicitly specified do so at their own risk and agree to indemnify Decoflame A/S against any claims or damages resulting from such use. Fuel consumption may vary depending on individual units, environmental conditions, and operating parameters. Product images are for illustrative purposes only and may differ from the actual product. This limitation of liability does not apply where it would conflict with mandatory consumer protection laws.