



Q-TEE & Q-Tee C

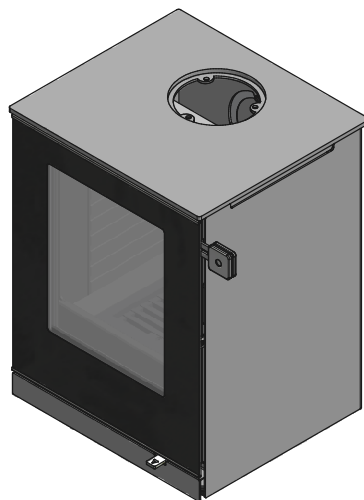
BRUGERVEJLEDNING
BEDIENUNGSANLEITUNG
USER MANUAL
MANUEL D'UTILISATEUR
BRUKERVEILEDNING
BRUKSANVISNING
KÄYTTÖOHJE
GEBRUIKERHANDLEIDING

RAIS[®]
ART OF FIRE

attika[®]
FEUERKULTUR

CONTENTS

Installation manual	3
In general	3
Chimney	3
Technical data	4
Specifications	4
Dimensional sketches	5
Information plate	19
Installation	20
Delivery packaging	20
Disposal of packaging	20
Installation distance, Q-Tee 57	21
Installation distance, Q-Tee C 57	24
Height adjustment	27
Fitting/changing the handle	28
Removing the combustion chamber lining	29
External air connection, AirSystem	30
Lubricating the hinges	36
Attaching the legs	37
Q-Tee 57, Wall-mounted	39
Q-Tee C 57, Wall-mounted	41
Accessories	43
Q-Tee 57	43
Q-Tee C 57	44
Spare parts list	45
Assessment of Performance (AOP)	53
Test certificate	55
Performance declaration	57
This manual applies to the following models:	
Q-Tee 57 Classic	
Q-Tee 57	
Q-Tee 65 Classic	
Q-Tee 65	
Q-Tee 85 Classic	
Q-Tee 85	
Q-Tee 57 with legs	
Q-Tee C 57 Classic	
Q-Tee C 57	
Q-Tee C 85 Classic	
Q-Tee C 85	
Q-Tee C 57 with legs	



INSTALLATION MANUAL

Congratulations on the acquisition of your new RAIS or ATTIKA product! This installation manual will ensure that your wood-burning stove is installed correctly and that it will provide you with comfort and pleasure for many years to come.

IN GENERAL

It is important that the wood-burning stove is correctly installed, in consideration of the environment and people's safety.

Its installation must comply with all local rules and regulations, including those that refer to national and European standards. A certified chimney sweeper should be contacted before the installation is started.

No unauthorised alterations may be made to the wood-burning stove.

INSTALLATION REQUIREMENTS

Before the wood-burning stove may be taken into use the installation must be reported to your local chimney sweeper.

There must be the correct supply of fresh air in the installation room to ensure good combustion – if required, through an AirSystem connection. NB: Any mechanical air extraction, for example a cooker hood, can minimise the supply of air.

The wood-burning stove has an air consumption of at least 18 m³/h.

The space underneath the combustion chamber is not suitable for the storage of flammable material unless a reflective insulation panel is fitted!

The floor structure must be able to support the weight of the wood-burning stove and a chimney, if required. If the existing floor structure does not meet this requirement, suitable measures must be taken (e.g. installation of a load distribution plate). Seek advice from a building expert.

If the wood-burning stove is to be installed on a flammable floor, national and local regulations must be complied with, including the size of the non-flammable plate that must cover the floor in front of the wood-burning stove to protect the floor from fallen embers.

The wood-burning stove must be positioned at a safe distance from flammable material. Due to the risk of fire, flammable items (e.g. furniture) may not be positioned closer to the front of the glass than the closest permitted distance stated in the installation section. When deciding where

you shall install your RAIS/ATTIKA wood-burning stove, you should think about being able to heat other rooms in the home, so you get the most out of your new stove.

When your wood-burning stove is delivered, please check it for defects.

CHIMNEY

The chimney must be high enough to ensure that the chimney draught conditions are correct, i.e. -14 to -18 pascal. If the recommended chimney draught cannot be achieved, problems from smoke escaping from the door may arise when lighting the fire. We recommend that the chimney is adapted to suit the flue outlet spigot. The flue outlet spigot is 150 mm in diameter. If required a Ø125mm chimney can be used.

If the draught is excessive, it is recommended that you equip the chimney with a regulating damper. If a regulating damper is fitted, you must ensure that there is a free flow area of at least 20 cm² at the closed regulating damper.

Remember that there must be free access to the access door on the chimney.

CO ALARM

An CO alarm must be fitted in the same room as the appliance!

TECHNICAL DATA

Technical data is given below, including specifications, dimensional drawings and the information plate.

SPECIFICATIONS		
Danish Technological Institute ref.: 300-ELAB-1521-EN, 300-ELAB-1521-NS, 300-ELAB-1521-AEA DEFRA		
	Q-TEE	Q-TEE C
Nominal output (kW)	4.7	4.7
Min./Max. Output (kW):	2-6*	2-6*
Heating area (m ²)	30-90	30-90
Combustion chamber W x D x H (mm)	317 X 270 X 270	317 X 270 X 270
Min. Uptake (pascal)	-12	-12
Weight (kg) min., depending on the model:	80	80
Efficiency (%)	80	80
CO emission attributed to 13% O ₂ (%)	0.0987	0.0987
NO _x emission attributed to 13% O ₂ (mg/Nm ³)	79	79
Particle emission in accordance with NS3058/3059 (g/kg)	0.8	0.8
Dust measurement in accordance with DIN + 13% O ₂ (mg/Nm ³)	20	20
Flue gas flow (g/s)	3.7	3.7
Flue gas temperature (°C)	283	283
Recommended amount of wood (kg) when stoking the fire (Distributed between 2 logs, max. 26 cm each)	1.5	1.5
Intermittent operation	Stoking should be done within 59 minutes	Stoking should be done within 59 minutes

*Not verified by test.

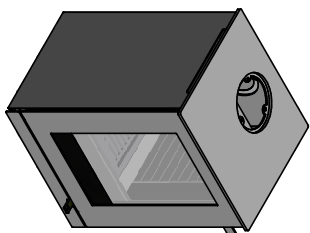
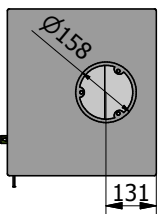
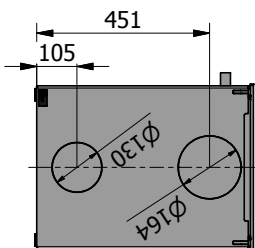
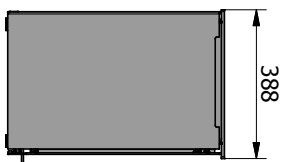
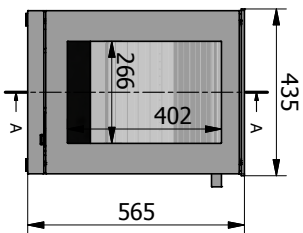
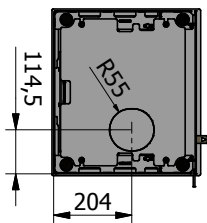
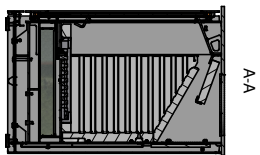
The wood-burning stove is tested and approved by:

DTI
 Danish Technological Institute
 Teknologiparken Kongsvang Allé 29
 8000 Aarhus C
 Denmark
 www.dti.dk
 Tel.: +45 72 20 20 00
 Fax: +45 72 20 10 19

DIMENSIONAL SKETCHES

8316550
Q-Tea 57 Classic

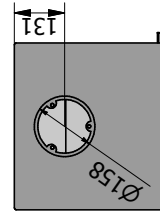
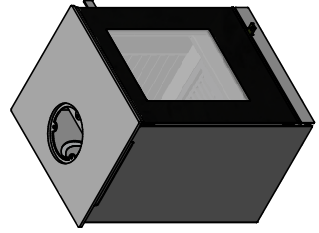
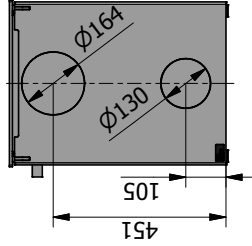
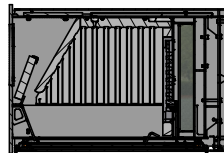
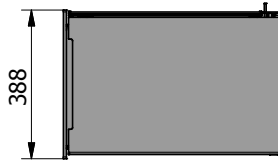
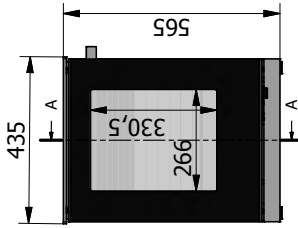
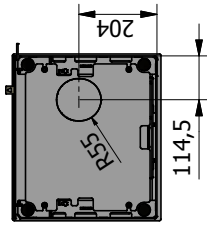
RAIS[®]attika[®]
ART OF FIRE FEUERKULTUR



DIMENSIONAL SKETCHES

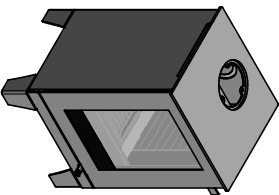
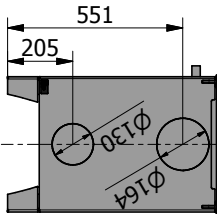
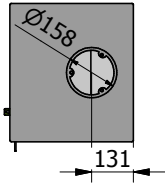
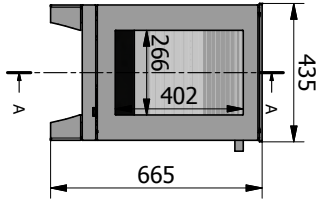
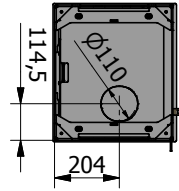
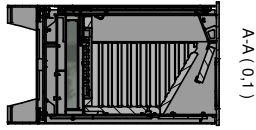
8316551
Q-Tee 57

RAISattika®
ART OF FIRE FEUERKULTUR



DIMENSIONAL SKETCHES

8316556
Q-Tree 57 Classic - With legs

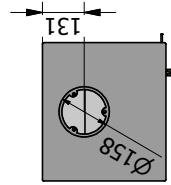
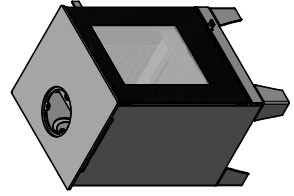
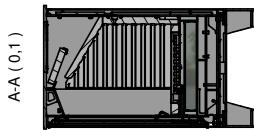
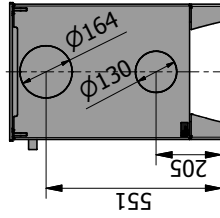
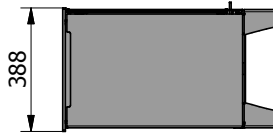
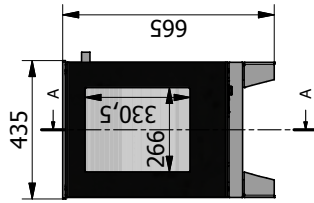
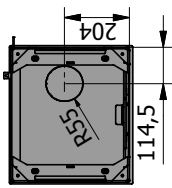


RAIS®
a t t i k a®
ART OF FIRE FEUERKULTUR

DIMENSIONAL SKETCHES

8316557
Q-Tee 57 Glass - With legs

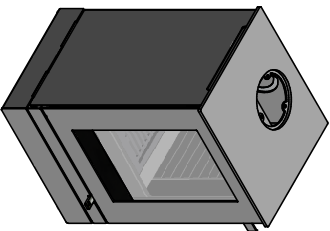
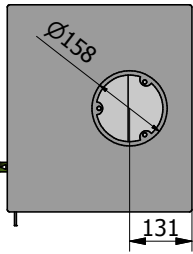
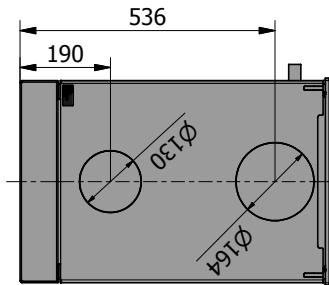
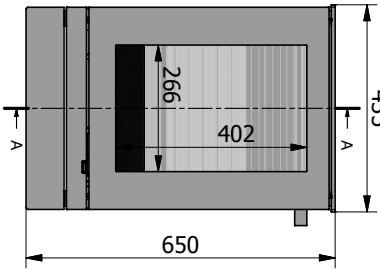
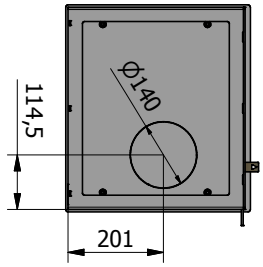
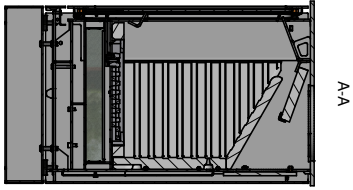
RAIS attika®
ART OF FIRE FEUERKULTUR



DIMENSIONAL SKETCHES

8316552
Q-Tee 65 Classic

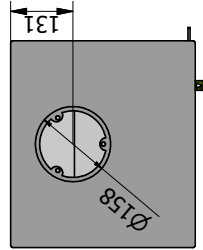
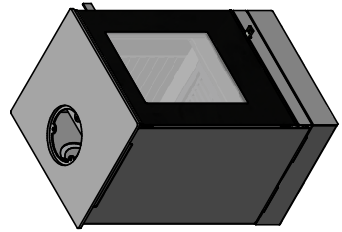
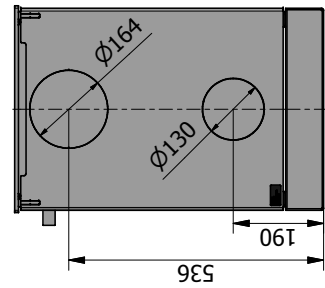
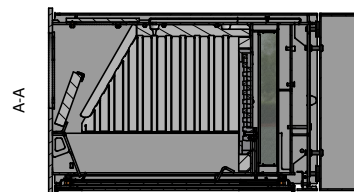
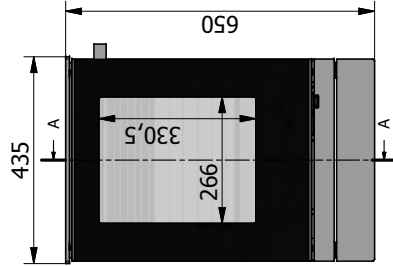
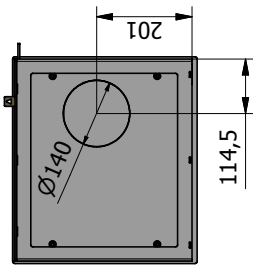
RAIS®
ART OF FIRE
FEUERKULTUR
attika®



DIMENSIONAL SKETCHES

8316553
Q-Tee 65

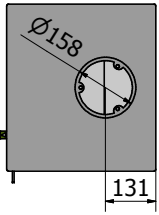
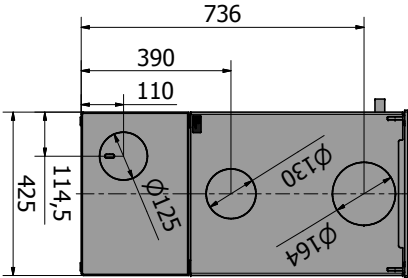
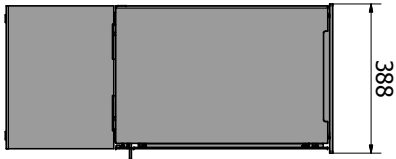
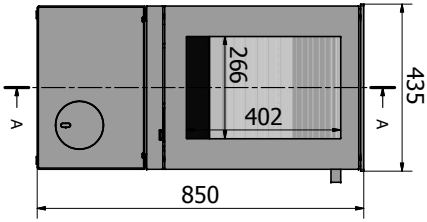
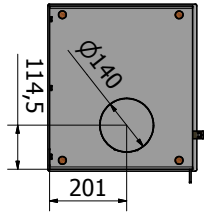
RAIS attika®
ART OF FIRE FEUERKULTUR



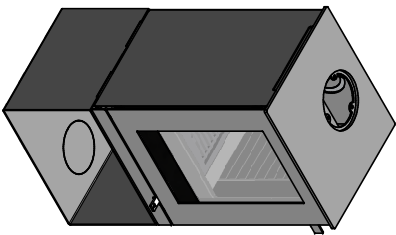
GB

DIMENSIONAL SKETCHES

8316554
Q-Tree 85 Classic

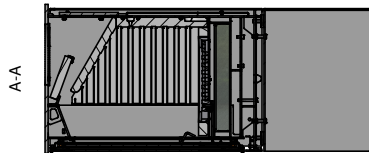
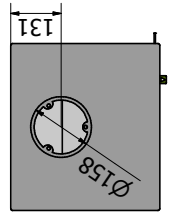
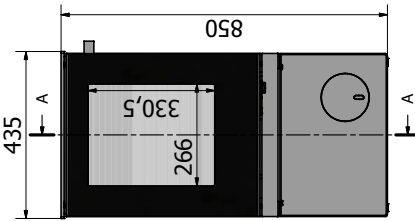
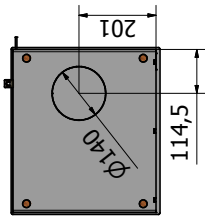
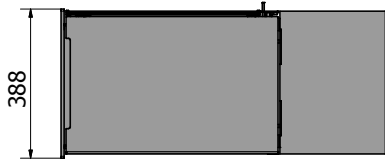
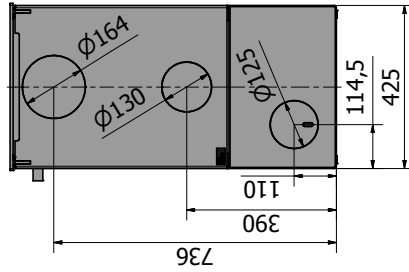
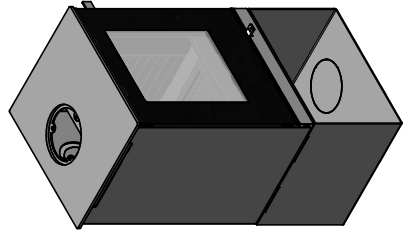


A-A



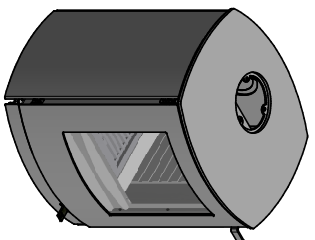
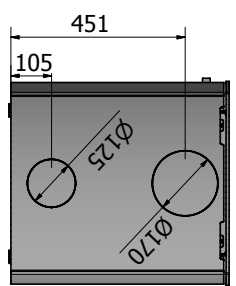
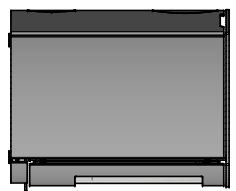
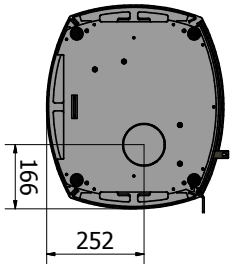
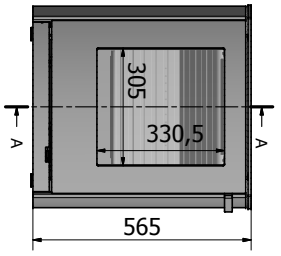
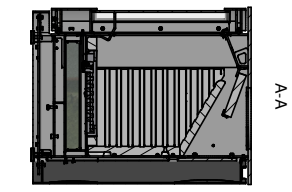
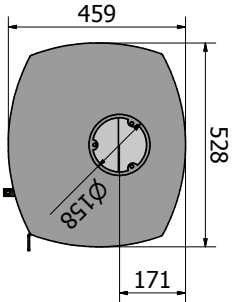
RAIS®
attika®
ART OF FIRE FEUERKULTUR

DIMENSIONAL SKETCHES



DIMENSIONAL SKETCHES

8326550
Q'Tee C 57 Classic

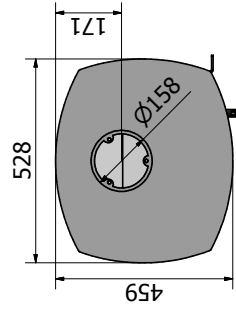
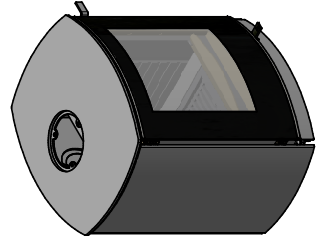
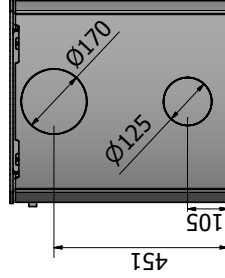
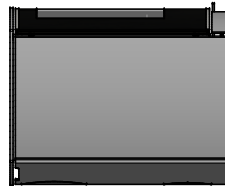
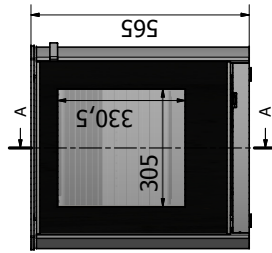
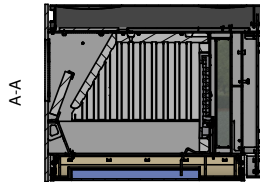
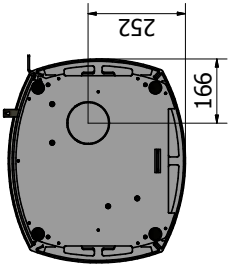


RAIS®
a t t i k a
ART OF FIRE FEUERKULTUR

DIMENSIONAL SKETCHES

8326551
Q-Tee C 57

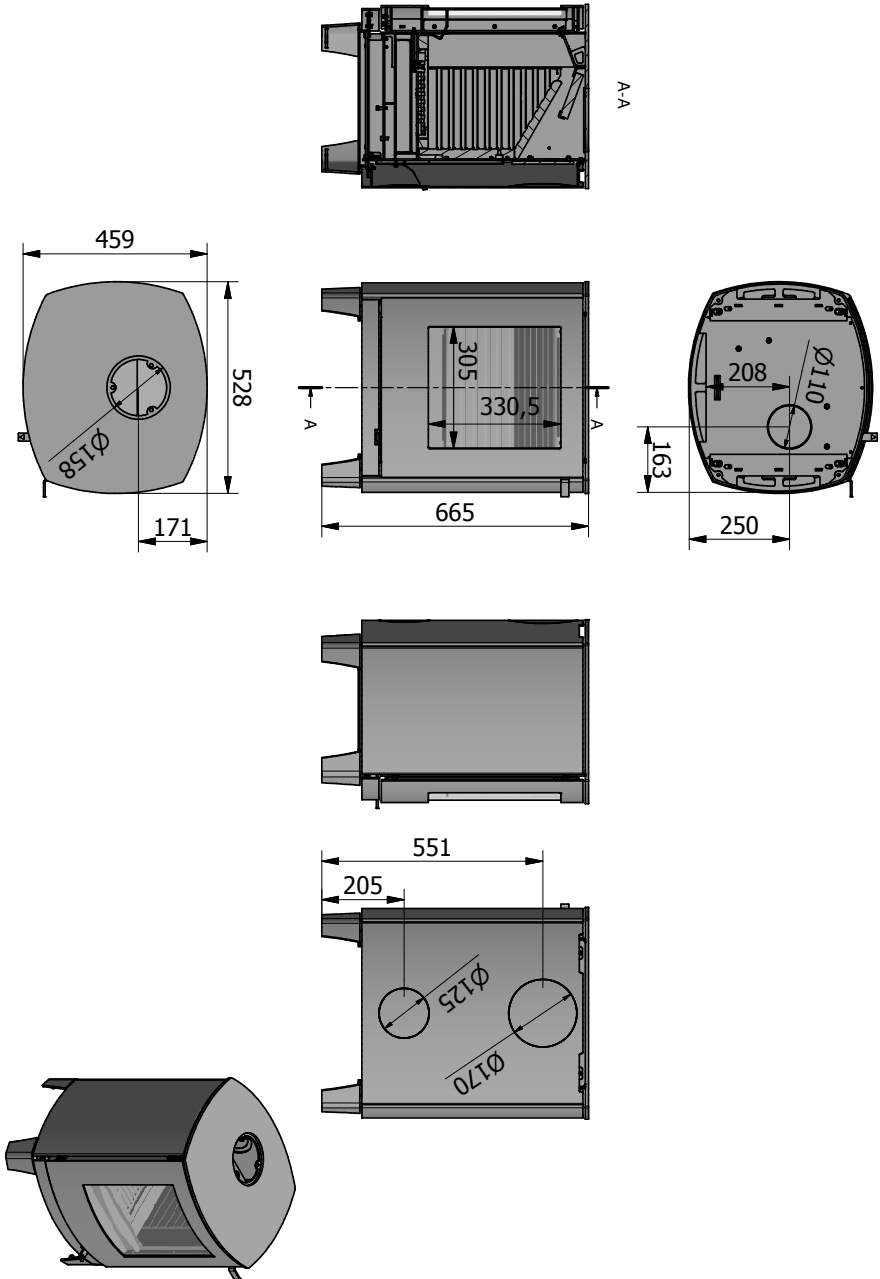
RAISattika®
ART OF FIRE FEUERKULTUR



DIMENSIONAL SKETCHES

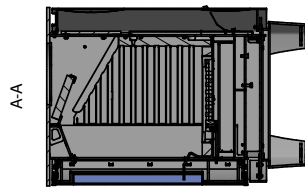
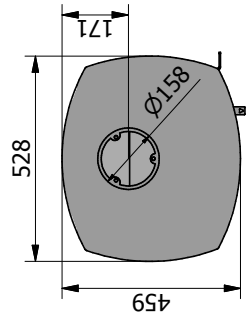
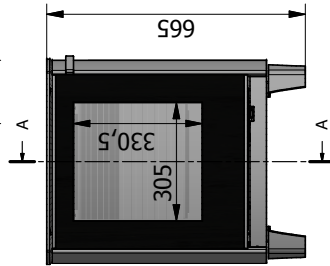
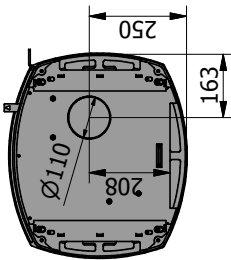
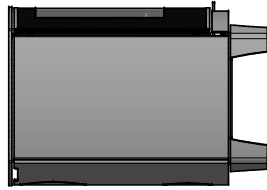
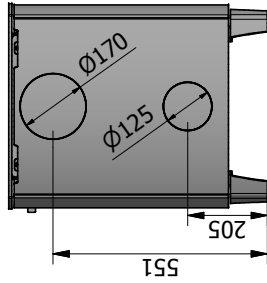
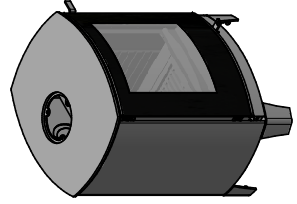
8326554
Q-Tea C 57 Classic - With legs

GB



DIMENSIONAL SKETCHES

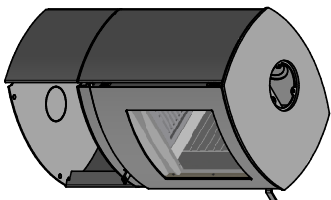
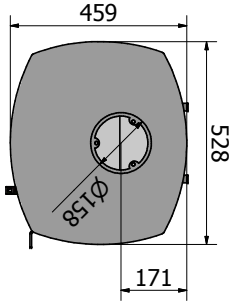
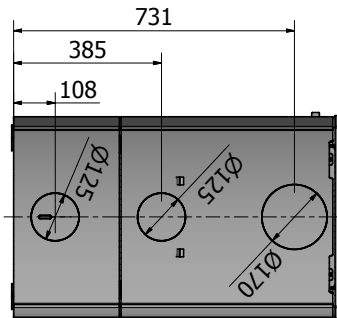
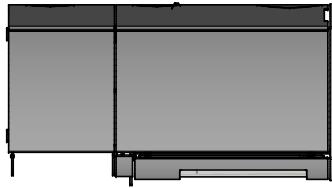
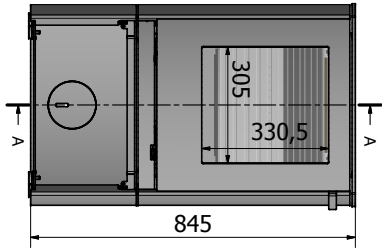
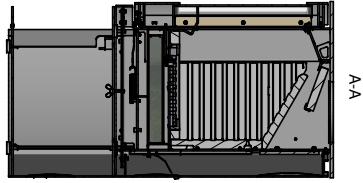
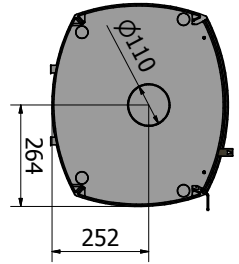
GB



8326554
Q-Tee C 57 Glass - With legs

DIMENSIONAL SKETCHES

8326550
Q-Tree C 85 Classic

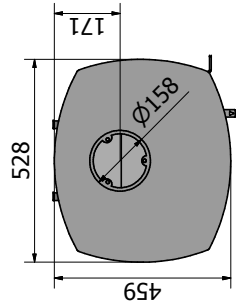
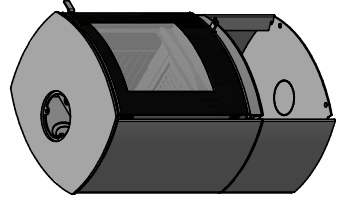
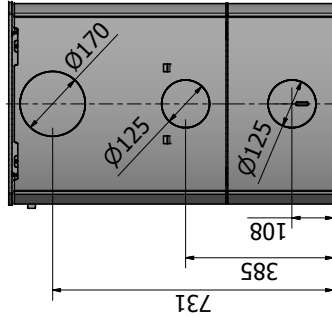
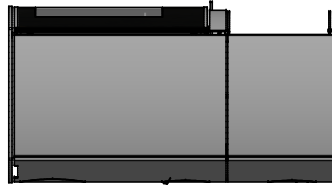
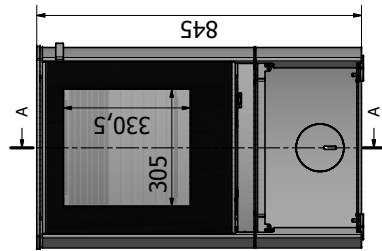
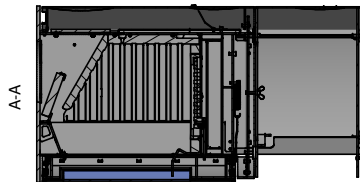
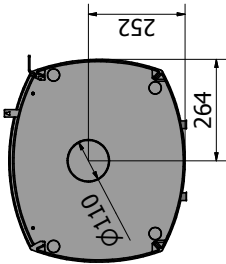


RAIS®
attika®
ART OF FIRE
FEUERKULTUR

DIMENSIONAL SKETCHES

8326550
Q-Tea C 85 Glass

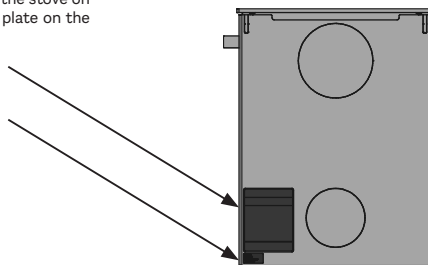
RAIS® attika®
ART OF FIRE FEUERKULTUR



INFORMATION PLATE

All RAIS/ATTIKA wood-burning stoves have an information plate which states the stove's distance from flammable materials, efficiency, etc. The information plate is laid loose with the stove on delivery. We recommend that you fit the information plate on the rear of the wood-burning stove (see drawing on right).

The production number is positioned on the rear of the wood-burning stove.



Information plate:

20		CE	UK CA
EN 13240:2001+A2:2004, EC.NO: 831 Notified Body: 1235			
Produced at: RAIS A/S, Industrivej 20, 9900 Frederikshavn, Danmark			
Q-Tea 57, Q-Tea C 57, Q-Tea 65, Q-Tea 85, Q-Tea C 85 Q-Tea 57 with legs, Q-Tea C 57 with legs			
AFSTAND TIL BRÆNDBART, BAGVEJ ABSTAND ZU BRENNBAREN BAUTEILEN, HINTEN DISTANCE TO COMBUSTIBLE BACK WALL DIST. ENTRE COMPOSANTS COMBUSTIBLES, ARRIÈRE	DK: 350mm SE BRUGERVEJLEDNING DE: 350mm SIEHE BEDIENUNGSANLEITUNG UK: 350mm SEE USER MANUAL FR: 350mm CONSULTEZ LE GUIDE DE L'UTILISATEUR		
AFSTAND TIL BRÆNDBART, SIDEVEJ ABSTAND ZU BRENNBAREN BAUTEILEN, SEITE DISTANCE TO COMBUSTIBLE SIDE WALL DISTANCE ENTRE COMPOSANTS COMBUSTIBLES, COTÉ	DK: 275mm SE BRUGERVEJLEDNING DE: 275mm SIEHE BEDIENUNGSANLEITUNG UK: 275mm SEE USER MANUAL FR: 275mm CONSULTEZ LE GUIDE DE L'UTILISATEUR		
AFSTAND TIL BRÆNDBART, MØBLERING ABSTAND VORNE ZU BRENNBAREN MÖBELN DISTANCE TO FURNITURE AT THE FRONT DISTANCE ENTRE COMPOSANTS COMBUSTIBLES, DEVANT	DK: 650mm SE BRUGERVEJLEDNING DE: 650mm SIEHE BEDIENUNGSANLEITUNG UK: 650mm SEE USER MANUAL FR: 650mm CONSULTEZ LE GUIDE DE L'UTILISATEUR		
CO EMISSION (REL. 13% O ₂) CO EMISSION IN DEN VERBRENNUNGSPRODUKTEN (BEI 13%O ₂) EMISSION OF CO IN COMBUSTION PRODUCTS (AT 13%O ₂) EMISSION CO DANS LES PRODUITS COMBUSTIBLES (À 13%O ₂)	0,1 % / 1250 mg/Nm ³		
STØV / STAUB / DUST / POUSSIÈRES:	20 mg/Nm ³		
RØGGASTEMPERATUR / ABGASTEMPERATUR / FLUE GAS TEMPERATURE / TEMPÉRATURE DES GAZ DE FUMÉE:	283 °C		
NOMINEL EFFEKT / HEIZLEISTUNG / THERMAL OUTPUT / PUISSANCE CALORIFIQUE:	4,1 kW (UK 4,7KW)		
VIRKNINGSGRAD / ENERGIEEFFIZIENZ / ENERGY EFFICIENCY / EFFICACITÉ ÉNERGÉTIQUE:	80 %		
DK: Brug kun anbefalede brændsler. Følg instrukserne i bruger manualen. DK: BRÆNDE Anordningen er egnet til røggasafledning og intervalfyring. DE: Lesen und befolgen Sie die Bedienungsanleitung. Zeitbrandfeuerstätte. Nur empfohlene Brennstoffe einsetzen. UK: Fuel types (only recommended). Follow the installation and operating instruction manual. Intermittent operation. F. Veuillez lire et observer les instructions du mode d'emploi. Foyer à durée de combustion limitée, homologué pour cheminée à connexions multiples. Utiliser seulement les combustibles recommandés.	DK: HÖLZ UK: WOOD FR: BOIS		
Not to be used in a shared flue		Raumheizer für feste Brennstoffe Appliance fired by wood Poêle pour combustibles solides	
Produced for: ATTIKA FEUER AG, Brunnmatt 16, CH-6330 Cham / RAIS A/S, Industrivej 20, DK-9900 Frederikshavn			

INSTALLATION

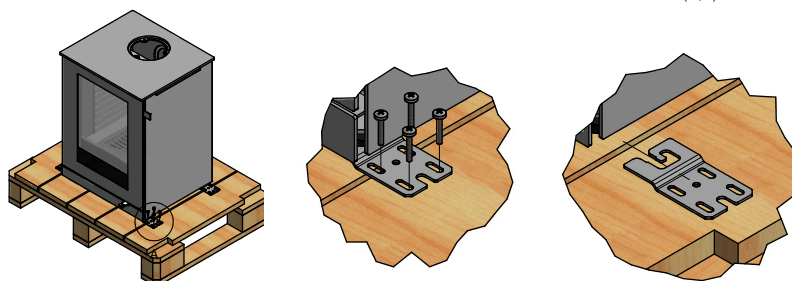
The following section explains how to install the wood-burning stove and includes information about the packaging, installation distances, etc.

DELIVERY PACKAGING

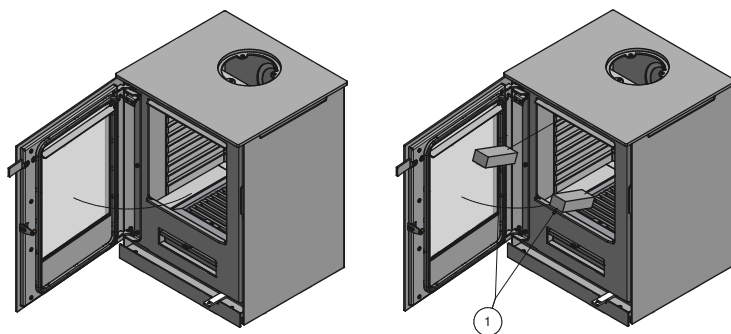
The wood-burning stove is supplied secured to a transport pallet using four transport safety fittings – one in each corner (A).

The safety fittings are secured using screws and these must be removed. The safety fittings can then be removed (B). A (0,5)

B (0,5)



The top of the wood-burning stove has two polystyrene blocks (1), which are there to protect the combustion chamber lining during transport. These must be removed before starting a fire in the stove.



DISPOSAL OF PACKAGING

RECYCLING

The wood-burning stove is delivered in packaging that can be recycled.

This packaging must be disposed of in accordance with national regulations relating to the disposal of waste.

The glass cannot be recycled.

The glass must be disposed of along with any ceramics or porcelain waste. Heat-resistant glass has a higher melting point and therefore cannot be recycled.

By ensuring heat-resistant glass does not end up alongside recyclable products you are making an important contribution to the environment.

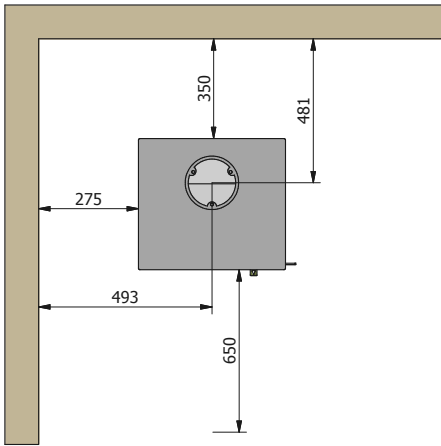
INSTALLATION DISTANCES

INSTALLATION DISTANCES: Q-TEE 57

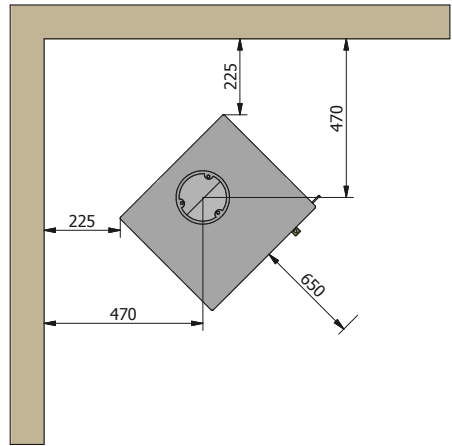
The applicable installation distances are shown below.
The dimensions specified are in mm.

Installation distances, flammable: un-insulated flue

Right-angle installation

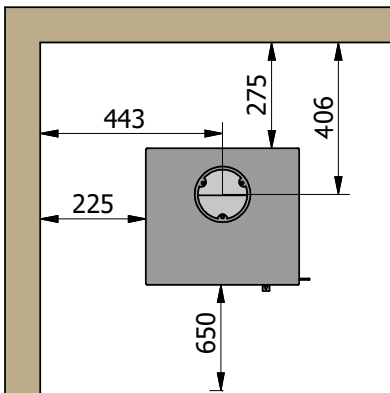


Corner installation

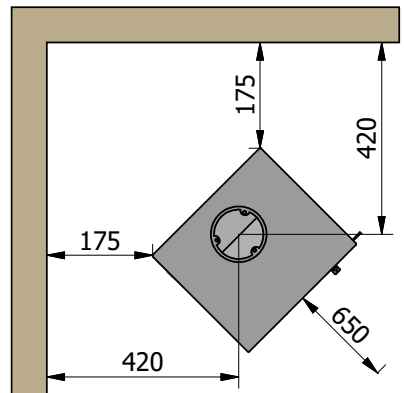


Installation distances, flammable: insulated flue

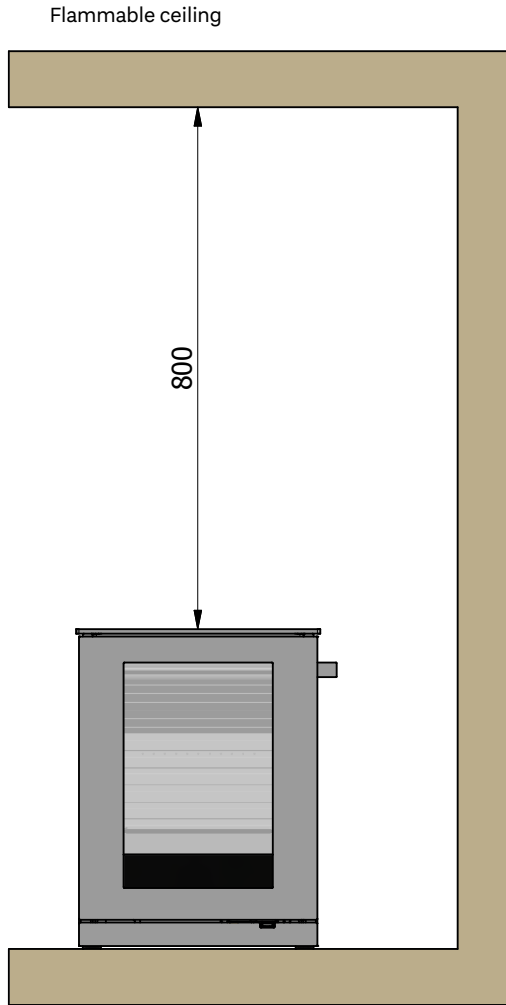
Right-angle installation



Corner installation



Installation distances, flammable



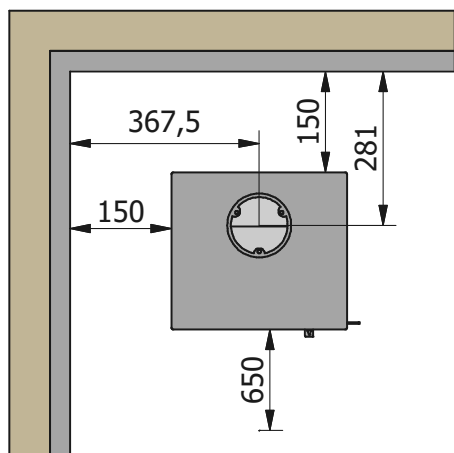
INSTALLATION DISTANCES COMBUSTIBLE WALL COVERED WITH 50MM SKAMOTEC 225

INSTALLATION DISTANCES TO FIRE WALL: **Q-TEE 57**

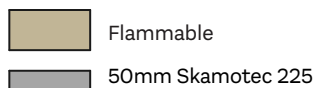
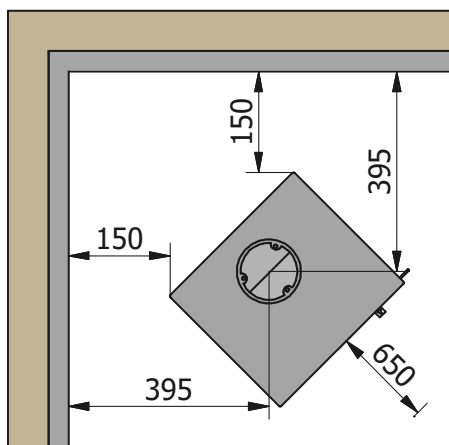
The applicable installation distances are shown below.
The dimensions specified are in mm.

Installation distances fire wall - uninsulated flue pipe

Right-angle installation



Corner installation



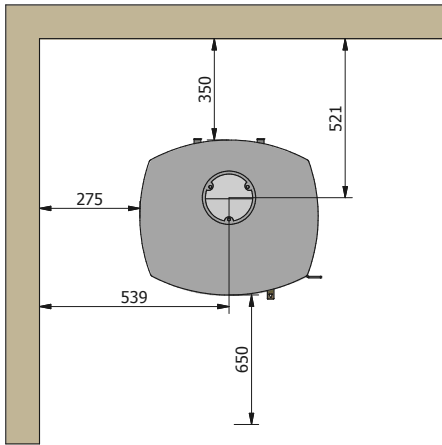
INSTALLATION DISTANCES

INSTALLATION DISTANCES: **Q-TEE C 57**

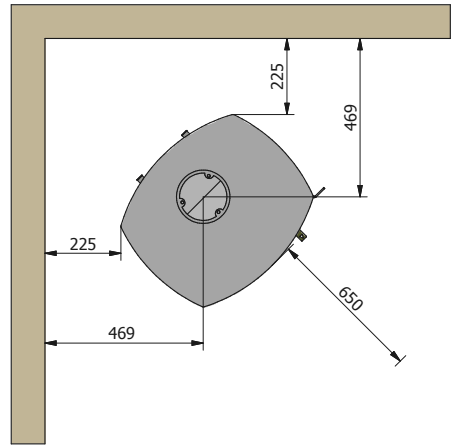
The applicable installation distances are shown below.
The dimensions specified are in mm.

Installation distances, flammable: uninsulated flue

Right-angle installation

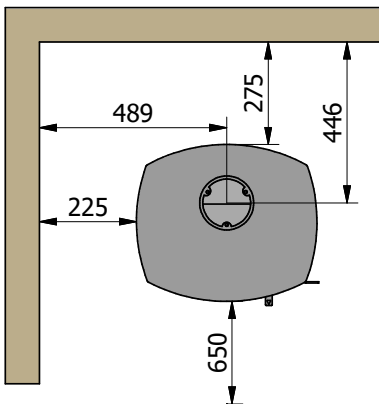


Corner installation

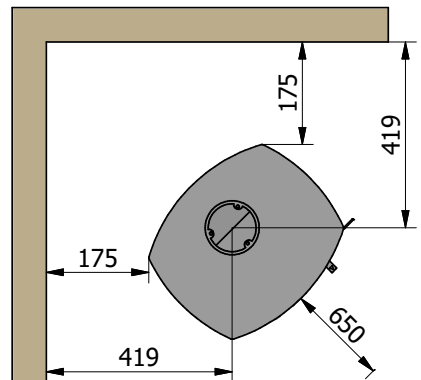


Installation distances, flammable: insulated flue

Right-angle installation

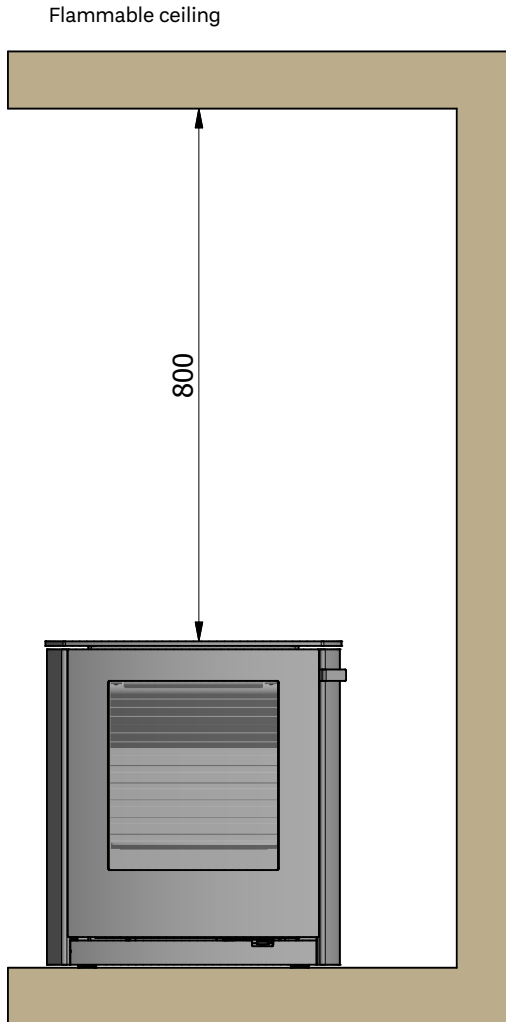


Corner installation



INSTALLATION DISTANCES

Installation distances, flammable



GB

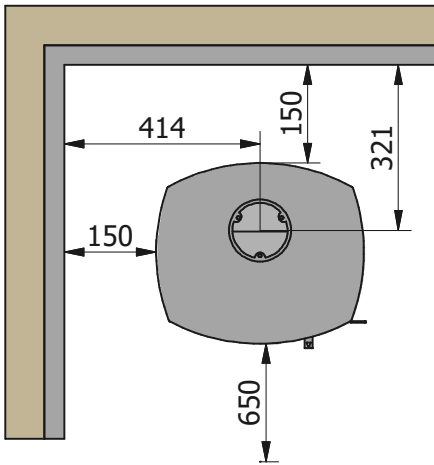
INSTALLATION DISTANCES COMBUSTIBLE WALL COVERED WITH 50MM SKAMOTEC 225

INSTALLATION DISTANCES TO FIRE WALL: **Q-TEE C 57**

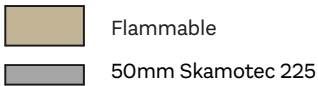
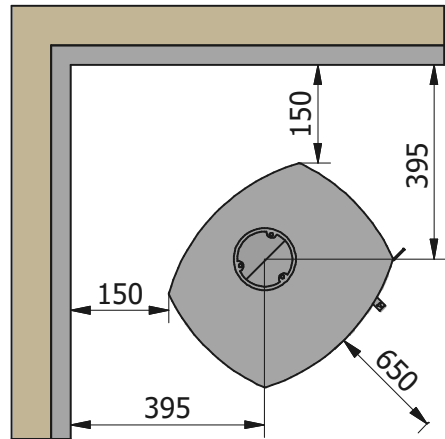
The applicable installation distances are shown below.
The dimensions specified are in mm.

Installation distances fire wall - uninsulated flue pipe

Right-angle installation



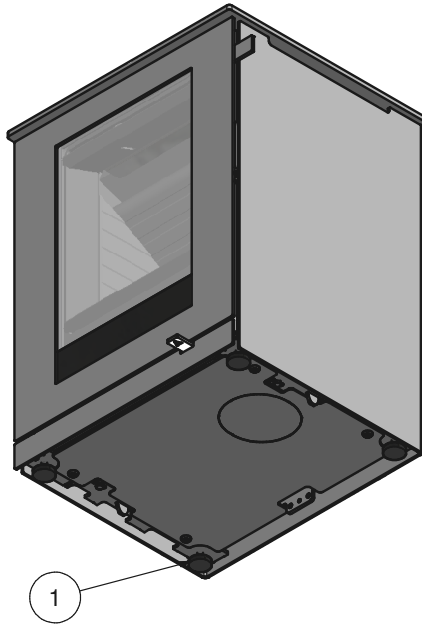
Corner installation



HEIGHT ADJUSTMENT

HEIGHT ADJUSTMENT

The stove is equipped with four adjustment screws (1) under the stove. Use the adjustment screws to ensure the stove stands level.

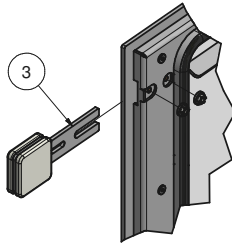
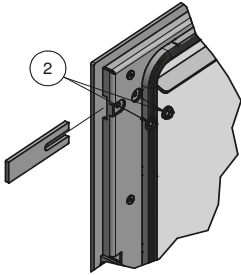
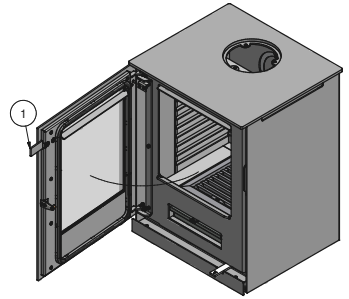


GB

FITTING THE HANDLE

FITTING/CHANGING THE HANDLE, Q-TEE 57

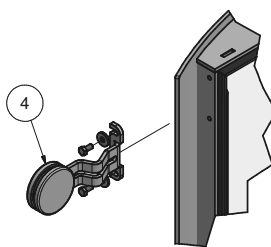
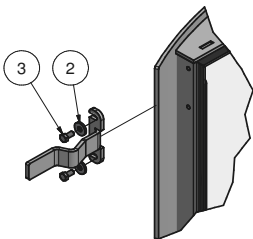
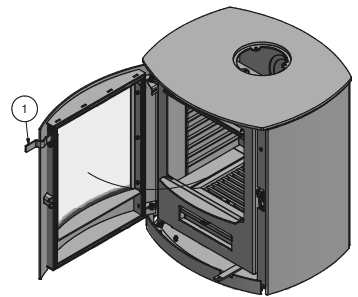
The wood-burning stove comes with a temporary handle (1). To remove it, loosen the screws (2). The new handle (3) can now be attached to the stove.



GB

FITTING/CHANGING THE HANDLE, Q-TEE C 57

The wood-burning stove comes with a temporary handle (1). To remove it, loosen the washers (2) and the screws (3). The new handle (4) can now be attached to the stove.

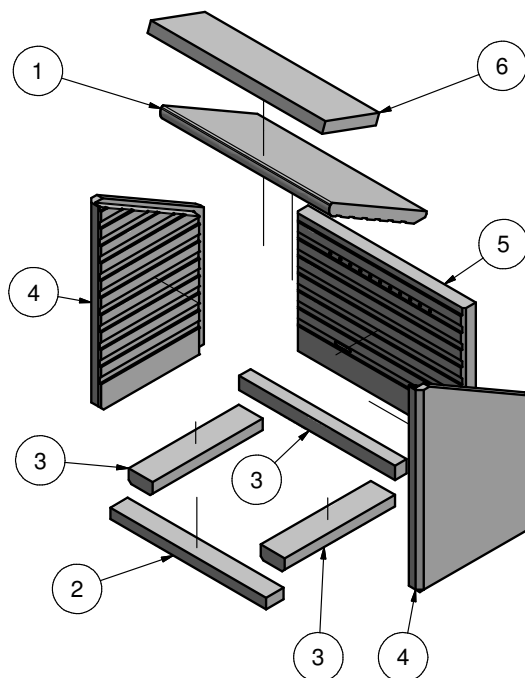
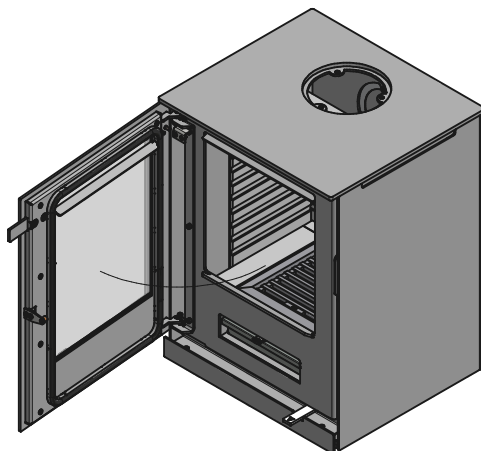


REMOVING THE COMBUSTION CHAMBER LINING

REMOVING THE COMBUSTION CHAMBER LINING

Procedure for removing the combustion chamber lining:

1. Push upwards on the flue plate (1) until it moves freely. Afterwards, turn it down past the side combustion chamber lining.
2. Lift up the front combustion chamber lining (2) and remove.
3. Lift up the bottom combustion chamber lining (3).
4. Remove the side combustion chamber lining sections (4) by turning them inwards at the front until they are loose. They can now be removed.
5. This makes it possible to remove the rear combustion chamber lining (5).
6. Lift up the flue plate (6) until it releases from the fittings and push it back. It can now be removed.



To re-install the combustion chamber lining sections, repeat the above procedure in reverse order.

EXTERNAL AIR CONNECTION, AIRSYSTEM

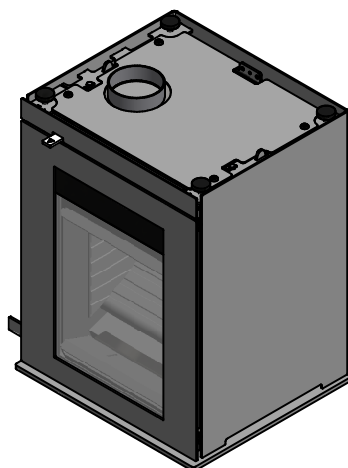
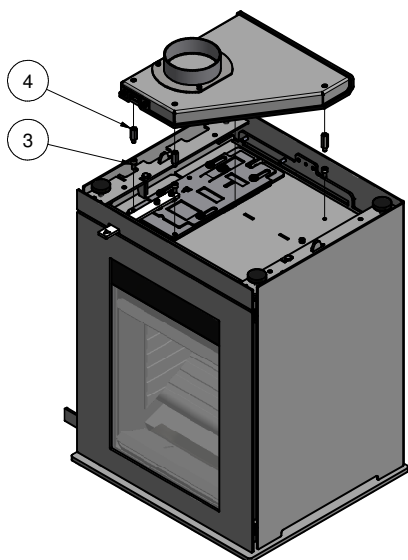
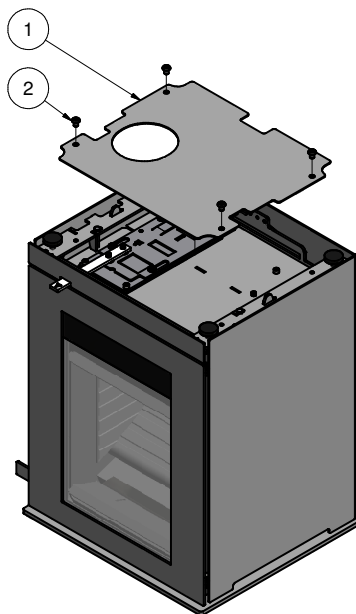
EXTERNAL AIR CONNECTION, AIRSYSTEM

All RAIS/ATTIKA wood-burning stoves can be supplied with external air. We call this external air supply AirSystem. The air intake to the system can be concealed by installing it in either the floor or the wall behind the stove.

AIR CONNECTION THROUGH THE FLOOR

Q-TEE 57

1. Remove the reflector plate (1) by removing the 4 screws (2).
2. Tap out the knockout blank in the reflector plate using a hammer.
3. Remove the two screws in the damper and one in the bottom of the combustion chamber (3).
4. Replace the three screws with spacers (4) and use these screws (3) to mount the air box on these spacers.
5. Reattach the reflector plate (1).

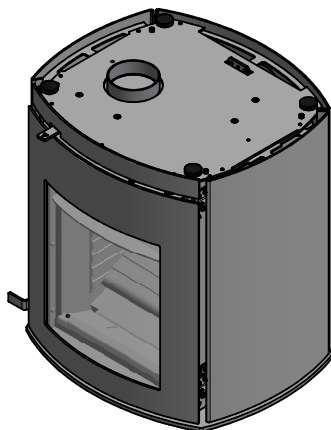
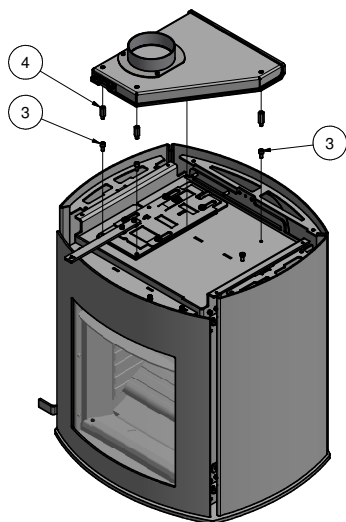
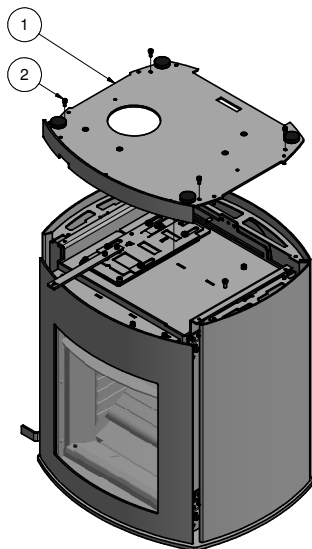


EXTERNAL AIR CONNECTION, AIRSYSTEM

AIR CONNECTION THROUGH THE FLOOR

Q-TEE C 57

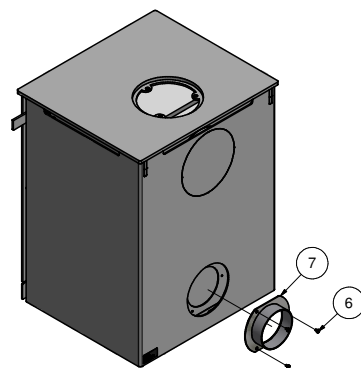
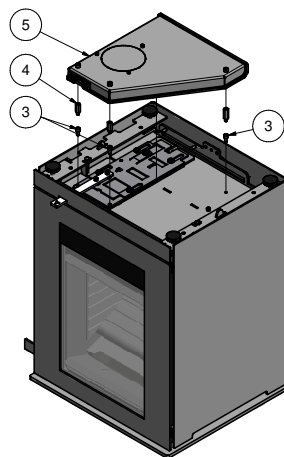
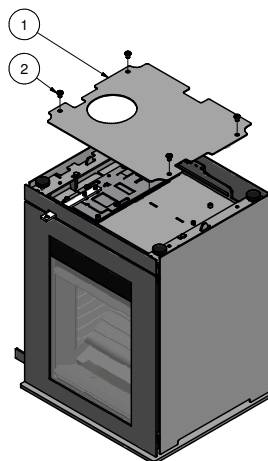
1. Remove the reflector plate (1) by removing the 4 screws (2).
2. Tap out the knockout blank in the reflector plate using a hammer.
3. Remove the two screws in the damper and one in the bottom of the combustion chamber (3).
4. Replace the three screws with spacers (4) and use these screws (3) to mount the air box on these spacers.
5. Reattach the reflector plate (1).



EXTERNAL AIR CONNECTION, AIRSYSTEM

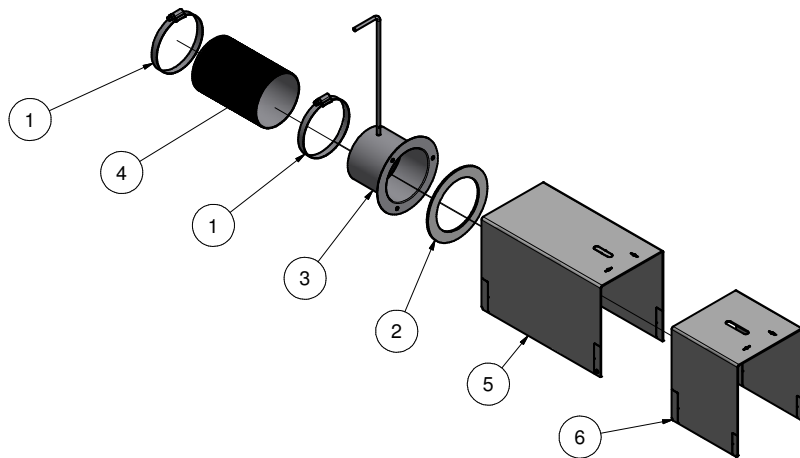
AIR CONNECTION THROUGH WALL Q-TEE 57

1. Remove the reflector plate (1) by removing the 4 screws (2).
2. Remove the two screws in the damper and one in the bottom of the combustion chamber (3).
3. Replace the three screws with spacers (4) and use these screws (3) to mount the air box (5) on these spacers.
4. Reattach the reflector plate (1).
5. Tap out the knockout blank on the rear of the stove.
6. Tap out the knockout blank on the rear of the stove's air box.
7. Unscrew the three screws (6) in the air box and use them to attach the air connection flange (7).



AIR CONNECTION THROUGH WALL

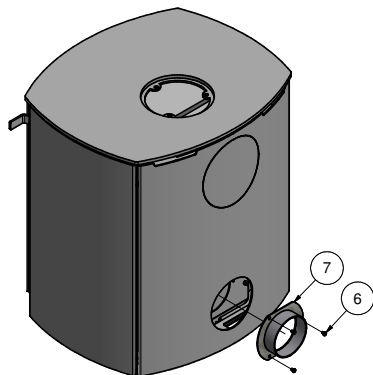
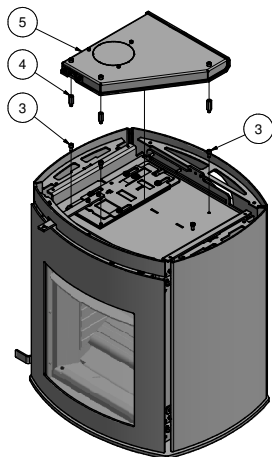
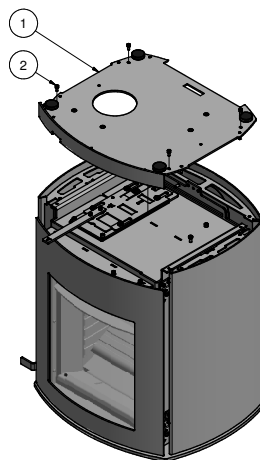
1. Attach the air valve (3) to the wall with the gasket (2) between the wall and air valve.
2. Attach the flexible tube (4) to the connector on the back of the combustion chamber and air valve (3), and tighten using the hose clamps (1).
3. Attach the covers (5 & 6) over the air valve.



EXTERNAL AIR CONNECTION, AIRSYSTEM

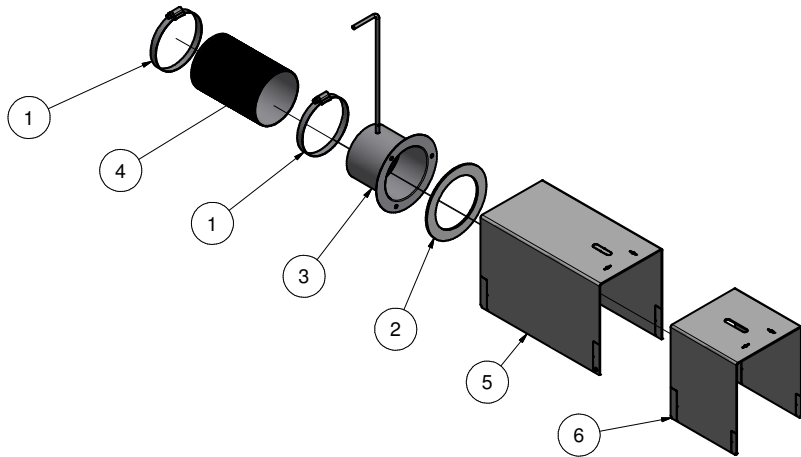
AIR CONNECTION THROUGH WALL Q-TEE C 57

1. Remove the reflector plate (1) by removing the 4 screws (2).
2. Remove the two screws in the damper and one in the bottom of the combustion chamber (3).
3. Replace the three screws with spacers (4) and use these screws (3) to mount the air box (5) on these spacers.
4. Reattach the reflector plate (1).
5. Tap out the knockout blank on the rear of the stove.
6. Tap out the knockout blank on the rear of the stove's air box.
7. Unscrew the three screws (6) in the air box and use them to attach the air connection flange (7).



AIR CONNECTION THROUGH WALL

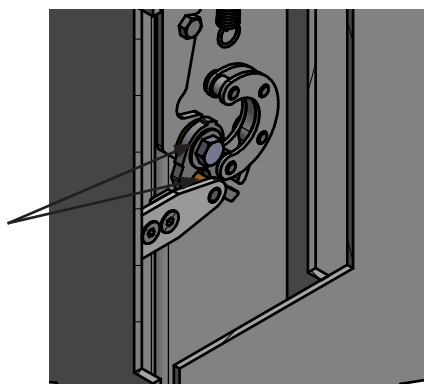
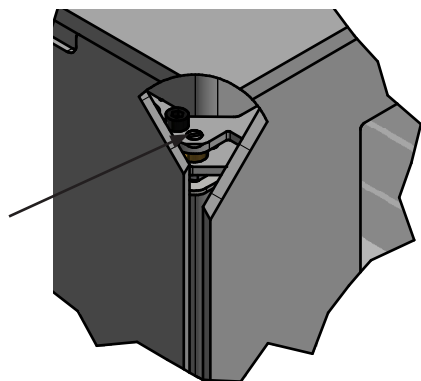
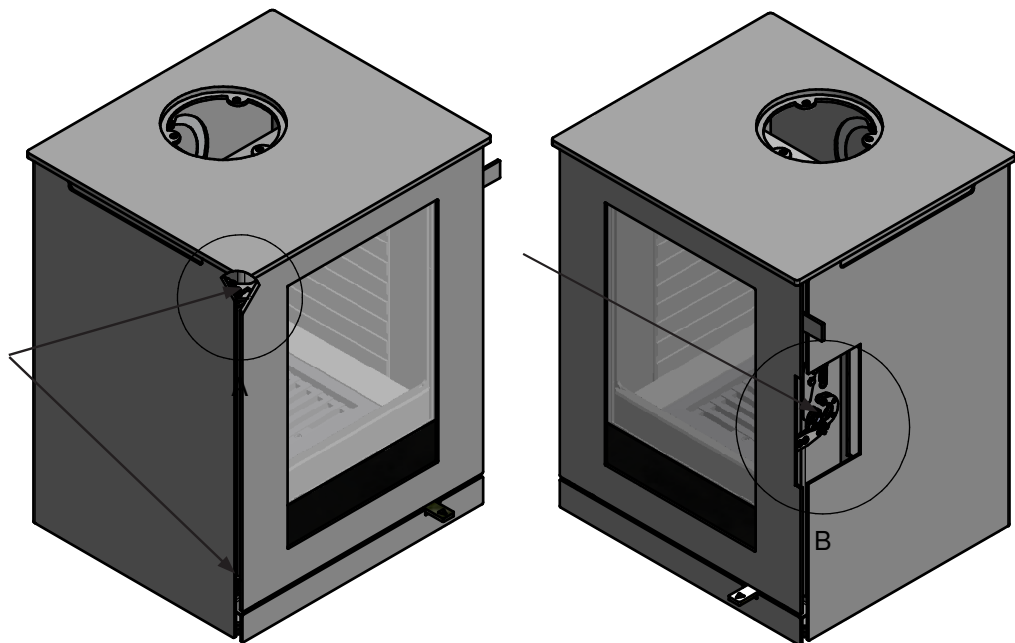
1. Attach the air valve (3) to the wall with the gasket (2) between the wall and air valve.
2. Attach the flexible tube (4) to the connector on the back of the combustion chamber and air valve (3), and tighten using the hose clamps (1).
3. Attach the covers (5 & 6) over the air valve.



LUBRICATING THE HINGES

LUBRICATING THE HINGES, Q-TEE 57 / Q-TEE C 57

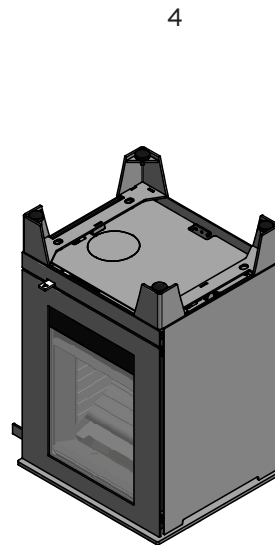
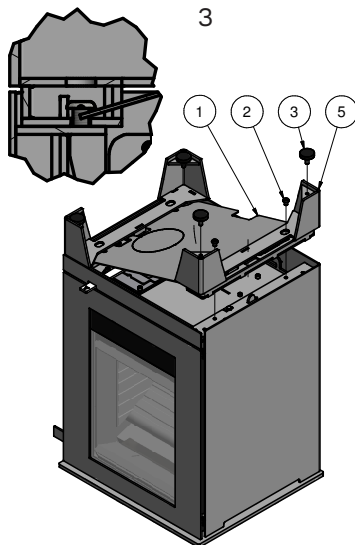
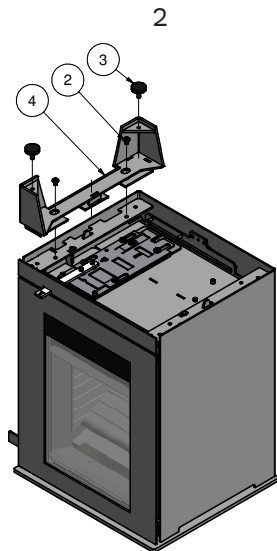
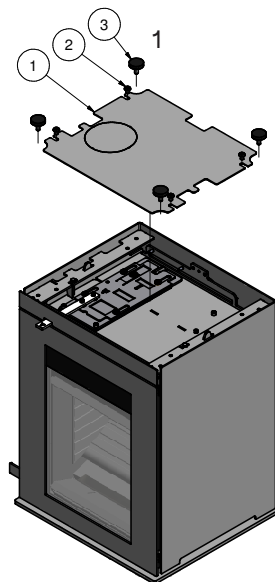
The stove must be lubricated regularly at the three moving parts on the closing mechanism and hinges (see photo). Use heat-resistant oil.



ATTACHING THE LEGS

ATTACHING LEGS TO Q-TEE 57

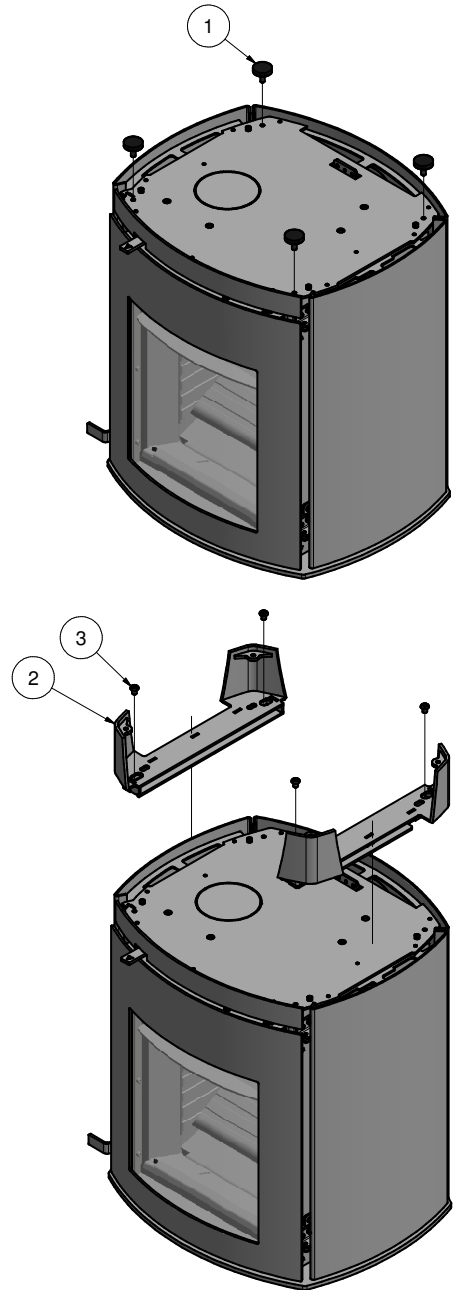
1. Remove the reflector plate (1) by removing the 4 screws (2).
Remove the 4 adjustable feet (3).
2. Attach one leg (4) using the screws (2). Do not tighten the screws all the way in order to leave room for the reflector plate (1).
3. Attach the last leg (5) together with the reflector plate (1) using the screws (2).
4. Attach the 4 adjustable feet (3).



ATTACHING THE LEGS

ATTACHING LEGS TO Q-TEE C 57

1. Remove the 4 adjustable feet (1).
2. Attach the legs (2) using the 4 screws (3).
- 3.
4. Now attach the 4 adjustable feet (1) to the legs.



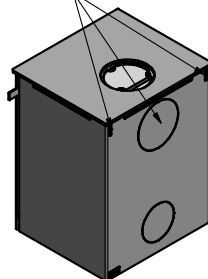
Q-TEE 57, WALL-MOUNTED

MOUNTING Q-TEE 57 ON A WALL

The stove may only be mounted on a non-flammable wall without cracks. Contact a chimney sweep or building expert concerning the wall's suitability. It is advisable to have authorised dealers suspend and install the stove.

Remove the knockout blanks on the back of the stove. If the stove is to be mounted with a top outlet, tap out only the two small blanks for the wall bracket.

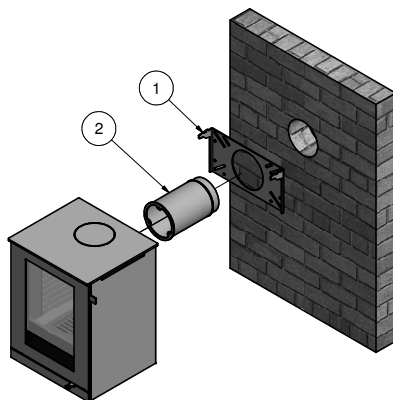
Knockout blanks



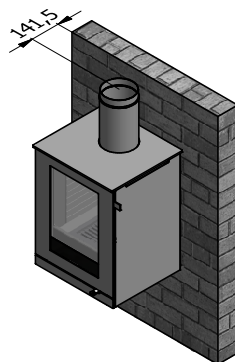
Centre the wall fitting (1) in relation to the wall bushing or at the desired height above the floor.

Mark out the holes through the holes in the bracket. Drill all holes, drilling at least two of them into a brick.

Attach the bracket using screws suitable for the type of wall material. The top edge of the bracket must be level horizontally. Note that the screw head may not be bigger than 11 mm. Do not use plastic wall plugs. Bolts and other anchoring materials are not included. Attach the flue (2) with gasket to the back of the stove, replacing the blank, using three M6 screws.

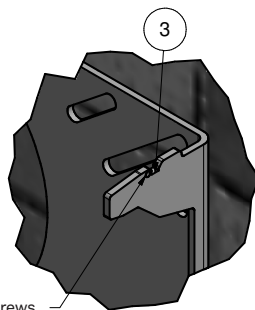


The distance from the wall to the centre of the flue is 141.5 mm.



Lift the stove up onto the wall bracket and push it into place against the wall until it 'clicks' into place (3).

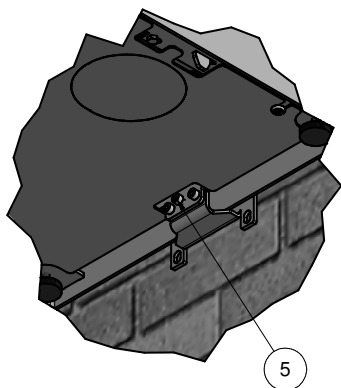
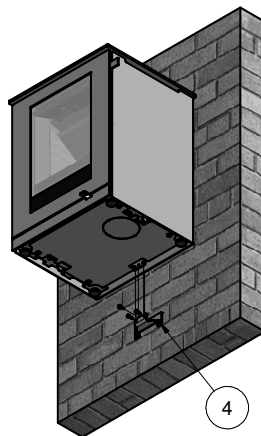
Check that the top plate of the stove is horizontally level. If it is not, it may be necessary to lift the stove down from the wall and adjust the bracket.



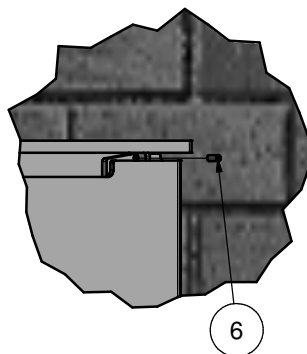
M4 thread for pointed screws

Mount the bottommost wall bracket (4) under the stove using two M6 screws.

Use the centremost M6 screw (5) to adjust the stove so it is plumb. Attach the bracket to the wall, if preferred, but do not tighten the screws due to the stove's downward movement during heating.



Finally, screw two M4 pointed screws (6) into each side of the wall bracket which locks the stove in relation to the bracket. See the photo at the top of the page.



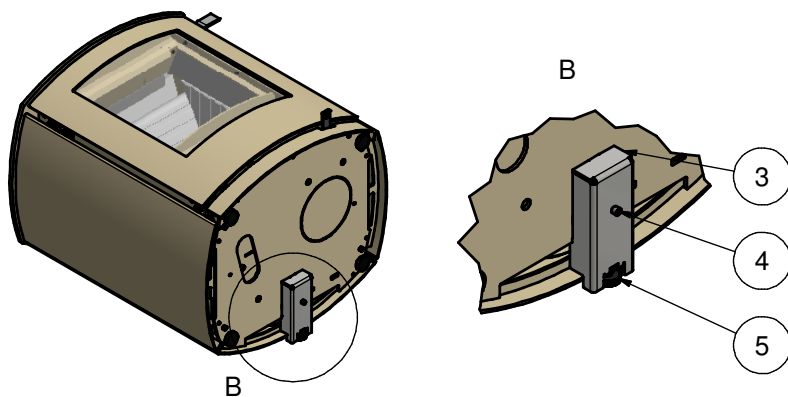
Q-TEE C 57 WALL-MOUNTED

WALL MOUNTING

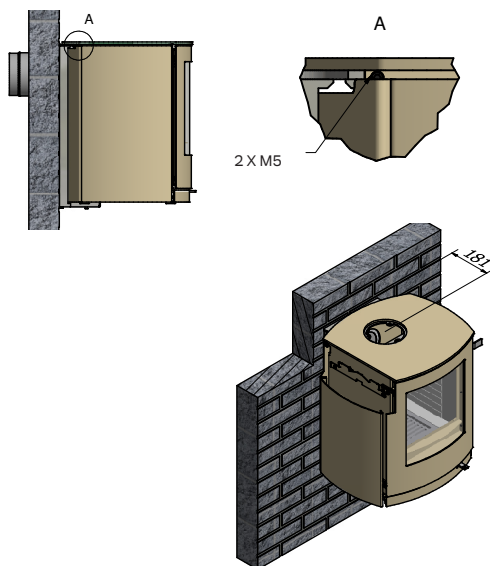
The stove may only be hung on non-combustible walls without cracks. Contact the chimney sweep or a construction expert regarding the suitability of the wall. It is recommended that suspension and assembly be carried out by authorized dealers.

If the oven is to be fitted with a rear outlet, the knock-out form on the back of the oven must be knocked out.

The lower wall bracket (3) is mounted under the oven in the three slots with the supplied M5 screw (4). With the adjusting screw (5) the oven can be adjusted vertically.

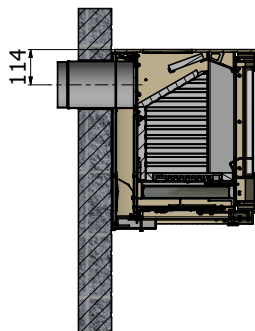


There are 2 x M5 bolts, one on each side of the combustion chamber which must be loosened before the stove can fit over the wall bracket. Note. These Bolts do NOT need to be completely unscrewed.



Distance from wall to center of the top outlet is 181 mm.

Distance from top plate to center of rear outlet 114 mm



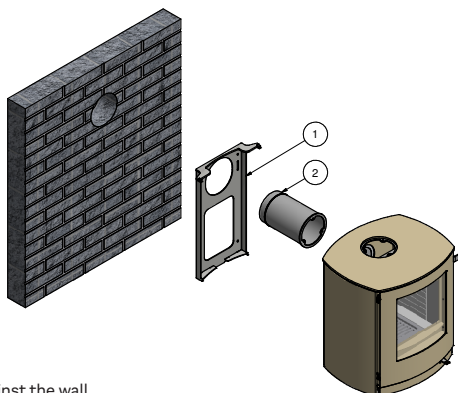
GB

The wall bracket (1) is centered in relation to the wall socket in the wall or at the desired height above the floor.

The holes are marked through the holes in the bracket.

The bracket is fastened with suitable screws for the wall type. The upper edge of the bracket must be horizontal.

Plastic Rawplugs must not be used. Bolts and other fastening material are not included. The flue pipe (2) with gasket is mounted on the back of the oven instead of the blind cover with three M6 screws.



The oven is lifted onto the wall bracket and pushed into place against the wall. the two M5 bolts are tightened again.

Check that the top plate of the oven is horizontal. if necessary, lift the oven off the wall and adjust the bracket.

ACCESSORIES, Q-TEE 57

xx: optional colour code

1. Handle Black Oak - Glass Door
8311033

2. Handle Stainless Steel – Glass Door
8311036

3. Handle Brown Leather – Glass Door
8311047

4. Handle Black Leather – Glass Door
8311057

1. Handle Black Oak – Classic Door
8312033

2. Handle Stainless Steel – Classic Door
8312036

3. Handle Brown Leather – Classic Door
8312047

4. Handle Black Leather – Classic Door
8312057

Ba1 set. (Automatic door closure)
831243090

Legs (100 mm)
8310501xx

Airkit Floor
831172090

Airkit Wall
831172190

xx: optional colour code

1. Handle Black Oak
8321033

2. Handle Stainless Steel
8321036

3. Handle Brown Leather
8321047

4. Handle Black Leather
8321057

Ba1 set. (Automatic door closure)
832243090

Legs (100 mm)
8320501xx

Airkit Floor
831172090

Airkit Wall
832172190

SPARE PARTS LIST

SPARE PARTS LIST, Q-TEE 57 CLASSIC MODEL

A spare parts overview is provided below.

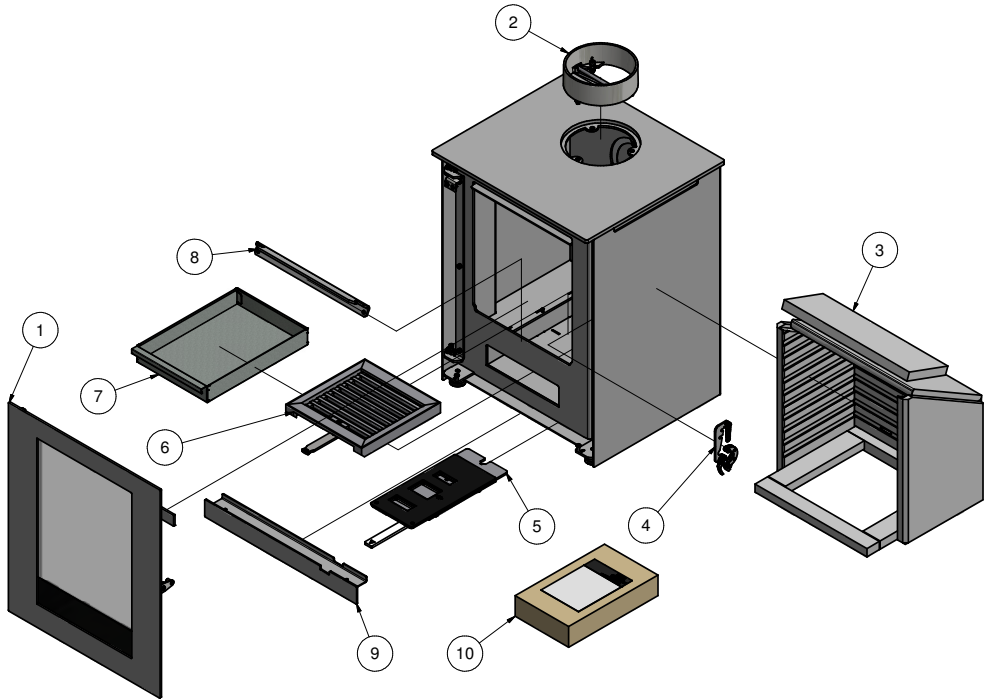
If spare parts other than those recommended by RAIS/ATTIKA are used, the warranty is rendered void. All replaceable parts can be purchased as spare parts from your RAIS/ATTIKA dealer.

See the spare parts list below and spare parts drawing on the next page.

xx: optional colour code

POS.	TOTAL	ITEM NO.	DESCRIPTION
1	1	83120XX	Classic glass door
2	1	61-00	Flue outlet connector 6"
3	1	8352200	Skamol set
4	1	8311890	Closing mechanism
5	1	8350990	Damper
6	1	8353800	Shaking grate
7	1	8354001	Ash drawer
8	1	8351215	Turbo plate
9	1	8310524XX	Front cover
10	1	8315501	Gasket set for Classic door

SPARE PARTS DRAWING



SPARE PARTS LIST

SPARE PARTS LIST, Q-TEE 57, GLASS MODEL

A spare parts overview is provided below.

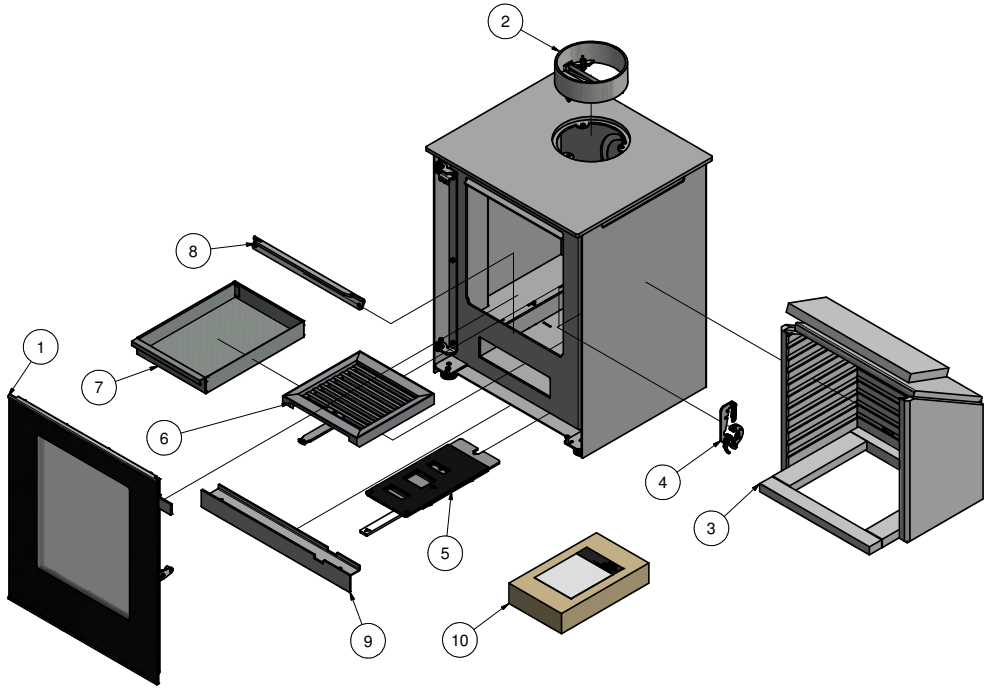
If spare parts other than those recommended by RAIS/ATTIKA are used, the warranty is rendered void. All replaceable parts can be purchased as spare parts from your RAIS/ATTIKA dealer.

See the spare parts list below and spare parts drawing on the next page.

xx: optional colour code

POS.	TOTAL	ITEM NO.	DESCRIPTION
1	1	8311090	Glass door
2	1	61-00	Flue outlet connector 6"
3	1	8352200	Skamol set
4	1	8311890	Closing mechanism
5	1	8350990	Damper
6	1	8353800	Shaking grate
7	1	8354001	Ash drawer
8	1	8351215	Turbo plate
9	1	8310524XX	Front cover
10	1	8315502	Gasket set for glass door

SPARE PARTS DRAWING



SPARE PARTS LIST

SPARE PARTS LIST, Q-TEE C 57, CLASSIC MODEL

A spare parts overview is provided below.

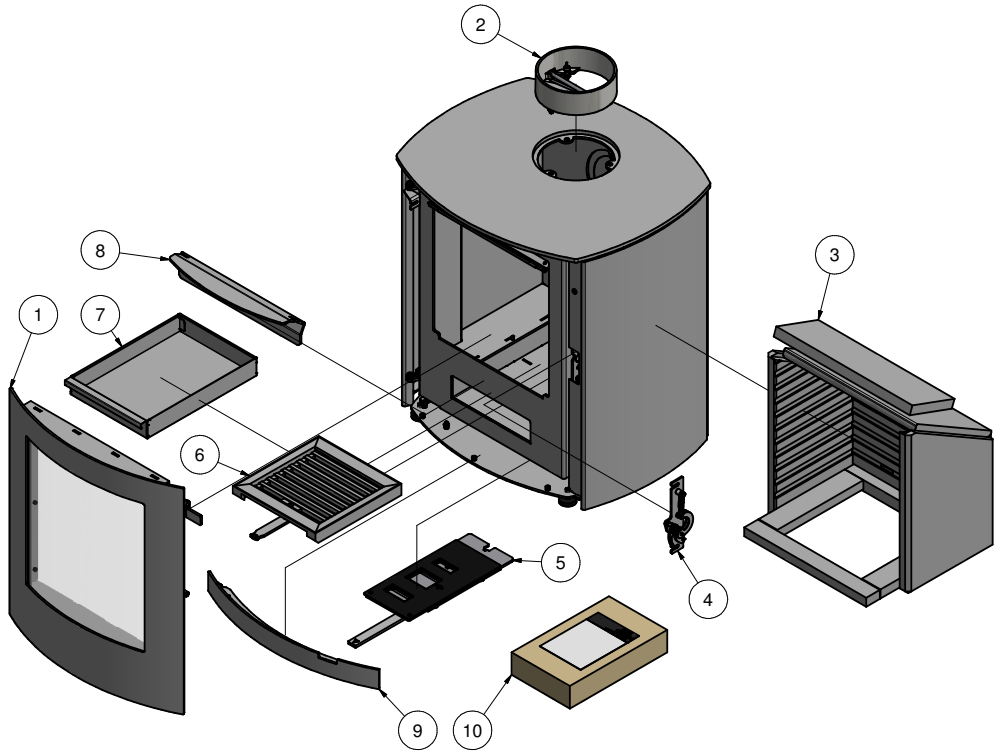
If spare parts other than those recommended by RAIS/ATTIKA are used, the warranty is rendered void. All replaceable parts can be purchased as spare parts from your RAIS/ATTIKA dealer.

See the spare parts list below and spare parts drawing on the next page.

xx: optional colour code

POS.	TOTAL	ITEM NO.	DESCRIPTION
1	1	83211XX	Classic glass door
2	1	61-00	Flue outlet connector 6"
3	1	8352200	Skamol set
4	1	8341890	Closing mechanism
5	1	8320990	Damper
6	1	8353800	Shaking grate
7	1	8354001	Ash drawer
8	1	8321215	Turbo plate
9	1	8320115XX	Front cover
10	1	8325501	Gasket set for Classic door

SPARE PARTS DRAWING



SPARE PARTS LIST

SPARE PARTS LIST, Q-TEE C 57, GLASS MODEL

A spare parts overview is provided below.

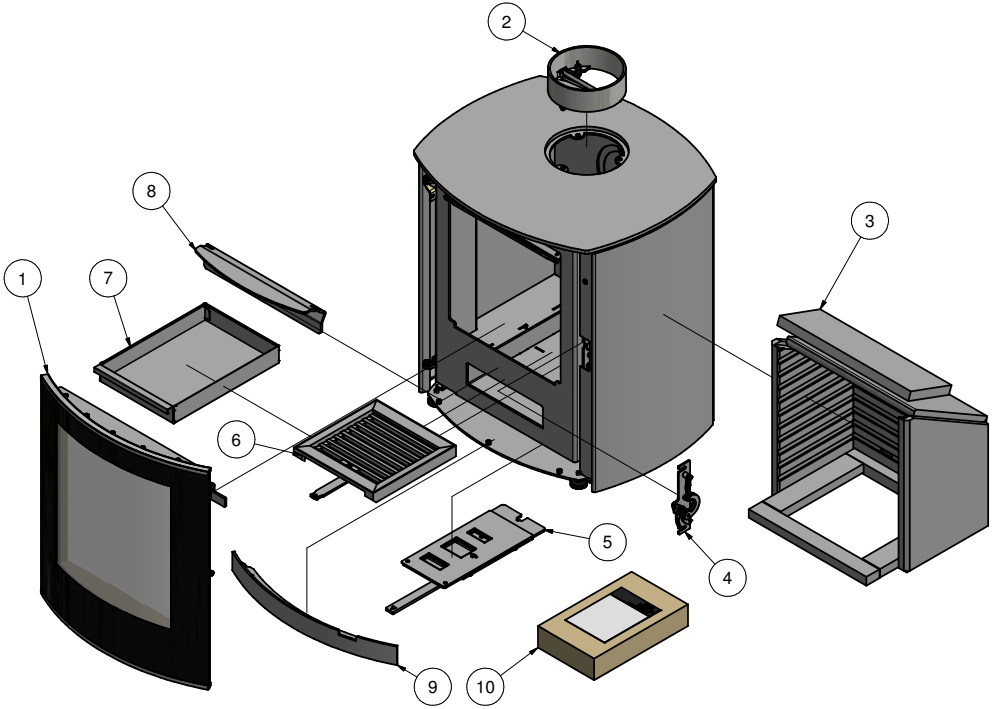
If spare parts other than those recommended by RAIS/ATTIKA are used, the warranty is rendered void. All replaceable parts can be purchased as spare parts from your RAIS/ATTIKA dealer.

See the spare parts list below and spare parts drawing on the next page.

xx: optional colour code

POS.	TOTAL	ITEM NO.	DESCRIPTION
1	1	8321090	Glass door
2	1	61-00	Flue outlet connector 6"
3	1	8352200	Skamol set
4	1	8341890	Closing mechanism
5	1	8320990	Damper
6	1	8353800	Shaking grate
7	1	8354001	Ash drawer
8	1	8321215	Turbo plate
9	1	8320115XX	Front cover
10	1	8325502	Gasket set for glass door

SPARE PARTS DRAWING





DANISH TECHNOLOGICAL INSTITUTE

Accredited to testing according to ISO/EN 17025 by DANAK #300

www.danak.dk

CPR NANDO Notified Body #1235 www.ec.europa.eu

**DANISH
TECHNOLOGICAL
INSTITUTE**

Teknologiparken
Kongsvang Allé 29
DK-8000 Aarhus C
Phone +45 72 20 10 00

Info@teknologisk.dk

Assessment of Performance Report

1235-CPR-1521

In compliance with Regulation (EU) No 305/2011 of the European Parliament and of the Council of 9 March 2011 (the Construction products Regulation or CPR), this Assessment of Performance Report applies to the construction product

Solid fuel room heaters: Rais Q-Tee 57, Rais Q-Tee C 57, Rais Q-Tee 65, Rais Q-Tee 85 and Rais Q-Tee C 85 intended for domestic room heating.

placed on the market under the name or trademark of

Rais A/S

Rais A/S, Industrivej 20 DK-9900 Frederikshavn

This Assessment of Performance Report attests that the performance of the above-mentioned construction product has been assessed in accordance with the harmonised standard

EN 13240:2001 + A2:2004

under AVCP system 3 with regard to the essential characteristics listed below

Essential characteristic Clause No. - Description	Performance Level or class, unit(s)	Basis for the assessment of performance
A.4.7. - Performance at nominal output	- Energy efficiency: 80% - CO emission ¹⁾ : 0,0987% - OGC ¹⁾ : 58 mgC/nm ³ - NO _x ^{1,2)} : 79 mg/nm ³ - PM ¹⁾ : 20 mg/nm ³	Test report: '300-ELAB-1521-EN' Documentation: 'Dok-mat-1521-Rais Q-tee-Samlet' Drawings: '831 - Q-Tee Model Oversight' and '832 - Q-Tee C Model oversight'

Notes: 1) recalculated at 13 % O₂, 2) as NO₂ equivalents

DANISH TECHNOLOGICAL INSTITUTE

Kongsvangs Alle 29, DK-8000 Aarhus C, Denmark.

CRP NANDO Notified Body #1235 www.ec.europa.eu

Accredited to testing according to ISO/EN 17025 by DANAK, #300 www.danak.dk



**DANISH
TECHNOLOGICAL
INSTITUTE**

Assessment of Performance Report

1235-CPR-1521

In compliance with *Regulation (EU) No 305/2011 of the European Parliament and of the Council of 9 March 2011* (the Construction products Regulation or CPR), this Assessment of Performance Report applies to the construction product

Solid fuel room heater(s), Rais Q-Tee C series intended for domestic room heating

placed on the market under the name or trademark of

Rais A/S

Rais A/S | Industrivej 20 | DK-9900 Frederikshavn

This Assessment of Performance Report attests that the performance of the above-mentioned construction product has been assessed in accordance with the harmonised standard

EN 13240:2001 + A2:2004

under AVCP system 3 with regard to the essential characteristics listed below

Essential characteristic Clause No. - Description	Performance Level or class, unit(s)	Basis for the assessment of performance
A.4.7 – Performance at nominal heat output	Level or class of performance – including units, where relevant -Energy efficiency 80% -Emission of CO 0,099% -Emission of OGC 58 mgC/Nm3* -Emission of NOx 79 mg/Nm3* -Emission of dust 20 mg/Nm3*	[Test report(s) No(s) 300-ELAB-1521-EN covering Rais Q-Tee 65

This Assessment of Performance Report covers only the above-mentioned essential characteristic(s). It is not an exhaustive statement of the performance of the product. The manufacturer is entitled to declare the performance of other essential characteristics than those mentioned above.

This Assessment of Performance Report will remain applicable as long as neither the harmonised standard, the construction product, nor the AVCP methods are modified significantly.

*) measured according to EN16510-1:2018, Annexes D, E and F

29-04-2020

Stoves and boiler testing laboratory

Senior Specialist Jes Sig Andersen

1235-CPR-1521

29-04-2020 09:53:19

Dette PDF dokument er kun gyldigt, hvis det er digitalt signeret med OCES digitalsignaturen for Jes Sig Andersen, Teknologisk Institut.
This PDF document is only valid if digitally signed with the OCES digital signature for Jes Sig Andersen, Danish Technological Institute.

TEST CERTIFICATE



**TEKNOLOGISK
INSTITUT**

Teknologiparken
Kongsvang Allé 29
DK-8000 Aarhus C
Phone +45 72 20 10 00

Info@teknologisk.dk

TEKNOLOGISK INSTITUT

Akkrediteret prøvningsorgan, DANAK-akkreditering nr. 300
Notificeret prøvningsorgan med ID-nr. 1235

Prøvningsattest IV

Uddrag af rapport nr. 300-ELAB-1521-EN og 300-ELAB-1521-NS

Emne: Brændeovne: Rais Q-Tee 57, Rais Q-Tee C 57, Rais Q-Tee 65, Rais Q-Tee 85, Rais Q-Tee C 85 og Q-Tee Wall
Indsats: Q-Tee Inset

Rekvirent: Rais A/S
Industrivej 20 DK-9900 Frederikshavn

Procedure:	X	Prøvning efter DS/EN13240/A2:2004
	X	Prøvning efter NS3058-1 & -2 (partikelmåling)
	X	Emissionsmåling af støv og OGC

Prøvningsresultater


Akkrediteret prøvning af brændeovn iht. EN 13240 er foretaget med brænde der påfyres manuelt, og følgende resultater blev opnået:

Nominal ydelse: 4,1 kW
CO-emission: 0,0987 % - henført til 13 % O₂
Virkningsgrad: 80 %
Røggastemperatur: 283 °C
Afstand til bagvæg: - se vejledning
Afstand til sidevæg: - se vejledning

Emissioner iht. NS 3058 og/eller CEN/TS 15883:

Partikler efter NS 3058: 0,80 g/kg (tørstof) middelværdi (krav: ≤4)
Partikler efter NS 3058: 1,09 g/kg (tørstof) maksimalt (krav: ≤8)
OGC efter CEN/TS 15883: 58 mgC/Nm³ ved 13% O₂ (krav: ≤120)
Støv efter EN 16510-1:2018: 20 mg/Nm³ ved 13% O₂ (krav: ≤30)

Bemærk venligst, at de oplyste værdier er et uddrag af prøvningsrapporten.
For yderligere oplysninger henvises til prøvningsrapporten, se nummer ovenfor.

Aarhus, den 22. september 2020  Kim Sig Andersen Konsulent	Skorstensfejerpåtegning
--	-------------------------

På baggrund af ovennævnte emissioner attesteres det hermed, at fyringsanlægget opfylder emissionskravene i bilag 1 til Bekendtgørelse nr. 541 af 27/4-2020 om regulering af luftforurening fra fyringsanlæg til fast brændsel under 1 MW.

Rais 1521 Rais Q-Tee_2020.docx

22-09-2020 14:56:30

Dette PDF dokument er kun gyldigt, hvis det er digitalt signeret med OCES digitalsignaturen for Kim Sig Andersen, Teknologisk Institut.
This PDF document is only valid if digitally signed with the OCES digital signature for Kim Sig Andersen, Danish Technological Institute.

DECLARATION OF PERFORMANCE



UK DECLARATION OF PERFORMANCE

Regulation (EU) 305/2011 No. 0001 — CPR-2013/07/01

No.: 831

- | | | |
|---|---|---|
| 1. Unique identification code of the product-type | RAIS Q-TEE 57
RAIS Q-TEE 65
RAIS Q-TEE 85 | ATTIKA Q-TEE 57
ATTIKA Q-TEE 65
ATTIKA Q-TEE 85 |
| 2. Type | Room heater burning solid fuel without hot water supply | |
| 3. Intended use | Domestic room heater | |
| 4. Manufacturer | RAIS A/S
Industrivej 20, Vangen
DK-9900 Frederikshavn,
Denmark | Telephone +45 98 47 90 33
Telefax +45 98 47 92 91
Webmail kundeservice@rais.dk
Homepage www.rais.com |
| 5. Authorised representative | n/a | |
| 6. System of assessment AVCP | System 3 | |
| 7. Notified body | The notified laboratory | <i>Danish Technological Institute - Identification no. 1235 Teknologiparken, Kongsvang Allé 29, DK-8000 Århus C</i> |
- performed the determination of the product type on the basis of type testing under system 3 and issued test report
- a. 300-ELAB-1521-EN-rev1

8. Declared performance Harmonized technical specification: EN 13240:2003/A2:2004

Essential characteristics		Performance	
Fire safety			
Reaction to fire	A1	Uninsulated flue	Insulated flue
Distance to combustible materials	rear	350 mm	275 mm
Minimum distances [mm]	sides	275 mm	225 mm
For other installation or wall settings see instruction manual	ceiling	800 mm	800 mm
	Front	650 mm	650 mm
Risk of burning fuel falling out	Pass		
OGC (mg/Nm ³ rel. 13 Vol-% O ₂)	58		
CO-emission of combustion products	0,0987 %		
NO _x (mg/Nm ³ rel. 13 Vol-% O ₂)	79		
Dust at (rel. 13 Vol-% O ₂)	20 mg/Nm ³		
Surface temperature	Pass		
Electrical safety	NPD		
Cleanability	Pass		
Maximum operating pressure	- bar		
Flue gas temperature T at nominal heat output	283° C		
Mechanical resistance (to carry a chimney/flue)	NPD		
Thermal output			
Nominal heat output	4,1 kW		
Room heating output	4,1 kW		
Water heating output	- kW		
Energy efficiency η	80 %		
Seasonal Efficiency $\eta_{S,on}$	70 %		

9. The performance of the product identified in points 1 and 2 is in conformity with the declared performance in point 8. This declaration of performance is issued under the sole responsibility of the manufacturer identified in point 4.

Signed for and on behalf of the manufacturer by:

John Engell Nielsen, R&D / Quality Manager

Place FREDERIKSHAVN, DENMARK


Signature

Date 31-03-2022

DECLARATION OF PERFORMANCE



UK DECLARATION OF PERFORMANCE

Regulation (EU) 305/2011 No. 0001 — CPR-2013/07/01

No.: 832

- | | | |
|---|---|---|
| 1. Unique identification code of the product-type | RAIS Q-TEE C 57
RAIS Q-TEE C 85 | ATTIKA Q-TEE C 57
ATTIKA Q-TEE C 85 |
| 2. Type | Room heater burning solid fuel without hot water supply | |
| 3. Intended use | Domestic room heater | |
| 4. Manufacturer | RAIS A/S
Industrivej 20, Vangen
DK-9900 Frederikshavn,
Denmark | Telephone +45 98 47 90 33
Telefax +45 98 47 92 91
Webmail kundeservice@rais.dk
Homepage www.rais.com |
| 5. Authorised representative | n/a | |
| 6. System of assessment AVCP | System 3 | |
| 7. Notified body | The notified laboratory | Danish Technological Institute - Identification no. 1235 Teknologiparken, Kongsvang Allé 29, DK-8000 Århus C |
- performed the determination of the product type on the basis of type testing under system 3 and issued test report
- a. 300-ELAB-1521-EN-rev1

8. Declared performance Harmonized technical specification: EN 13240:2003/A2:2004

Essential characteristics		Performance	
Fire safety			
Reaction to fire	A1	Uninsulated flue	Insulated flue
Distance to combustible materials	rear	350 mm	275 mm
Minimum distances [mm]	sides	275 mm	225 mm
For other installation or wall settings see instruction manual	ceiling	800 mm	800 mm
	Front	650 mm	650 mm
Risk of burning fuel falling out	Pass		
OGC (mg/Nm ³ rel. 13 Vol-% O ₂)	58		
CO-emission of combustion products	0,0987 %		
NO _x (mg/Nm ³ rel. 13 Vol-% O ₂)	79		
Dust at (rel. 13 Vol-% O ₂)	20 mg/Nm ³		
Surface temperature	Pass		
Electrical safety	NPD		
Cleanability	Pass		
Maximum operating pressure	- bar		
Flue gas temperature T at nominal heat output	283° C		
Mechanical resistance (to carry a chimney/flue)	NPD		
Thermal output			
Nominal heat output	4,1 kW		
Room heating output	4,1 kW		
Water heating output	- kW		
Energy efficiency η	80 %		
Seasonal Efficiency $\eta_{s,on}$	70 %		

9. The performance of the product identified in points 1 and 2 is in conformity with the declared performance in point 8. This declaration of performance is issued under the sole responsibility of the manufacturer identified in point 4.

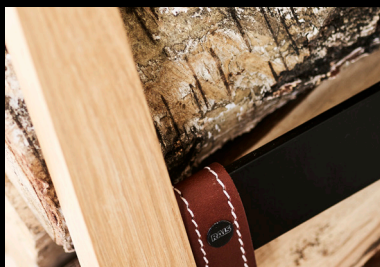
Signed for and on behalf of the manufacturer by:

John Engell Nielsen, R&D / Quality Manager

Place FREDERIKSHAVN, DENMARK

Date 31-03-2022


Signature



RAIS[®]
ART  OF FIRE

RAIS A/S
Industrivej 20
DK-9900 Frederikshavn
Denmark
www.rais.com

attika[®]
FEUERKULTUR

ATTIKA FEUER AG
Brunnmatt 16
CH-6330 Cham
Switzerland
www.attika.ch

