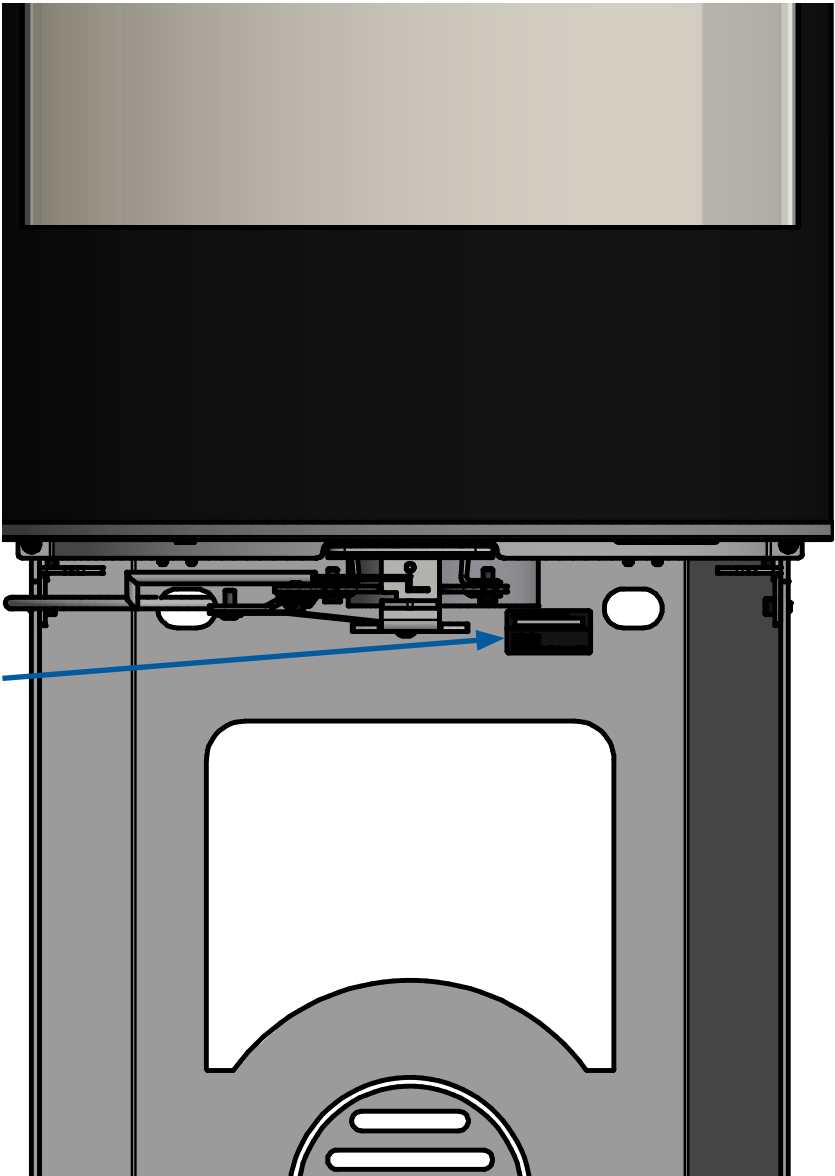




Juno 160 L Juno 120 L

INSTALLATION MANUAL (UK)

The production number can be found underneath the burning chamber.



CONTENTS

Installation manual	4
In general	4
Chimney	4
Technical data	5
Specifications	5
Dimensional sketches	6
Information plate	10
Installation	12
Delivery packaging	12
Disposal of packaging	12
Installation distances	13
Height adjustment	16
Fitting/changing the handle	17
Removing the combustion chamber lining	18
Lubricating hinges	19
Fitting the smoke outlet spigot	20
installation with swivel base	22
Mounting of the stones for Juno 120 L	24
Mounting of the stones for Juno 120 L G	32
Mounting of the stones for Juno 160 L	40
Mounting of the stones for Juno 160 L G	50
Air inlet cover	60
Alternate top plate location	61
Test certificate	62
Declaration of performance	63

This manual applies to the following models:

Juno 120 L
 Juno 120 L G - (Sideglass)
 Juno 120 L Classic
 Juno 120 L G Cassic - (Sideglass)
 Juno 120 L CleverAir
 Juno 120 L G CleverAir - (Sideglass)
 Juno 120 L CleverAir Classic
 Juno 120 L G CleverAir Classic - (Sideglass)
 Juno 160 L
 Juno 160 L G - (Sideglass)
 Juno 160 L Classic
 Juno 160 L G Cassic - (Sideglass)
 Juno 160 L CleverAir
 Juno 160 L G CleverAir - (Sideglass)
 Juno 160 L CleverAir Classic
 Juno 160 L G CleverAir Classic - (Sideglass)

Revision: 8
 Date: 16-05-2023

We are not responsible for typographical errors. 3

INSTALLATION MANUAL

Thank you for choosing your new RAIS product! This installation manual will ensure that your fireplace insert is installed correctly and that it will provide you with comfort and pleasure for many years to come.

IN GENERAL

It is important to correctly install the stove out of consideration for both the environment and personal safety. The installation of the stove must comply with all local rules and regulations, including those that refer to national and European standards. A certified chimney sweeper should be contacted before the installation is started.

No unauthorised alterations may be made to the stove.

GENERAL INSTALLATION REQUIREMENTS

Before the stove may be put to use, the installation must be reported to your local chimney sweeper.

There must be a plentiful supply of fresh air in the installation room to ensure good combustion – if required, through an Air-System connection. NB: Any mechanical air extraction, for example a cooker hood, can minimise the supply of air.

The wood-burning stove has an air consumption of at least 13 m³/h.

The floor structure must be able to support the weight of the wood-burning stove and a chimney. If the existing floor structure does not meet this requirement, suitable measures must be taken (e.g. installation of a load distribution plate). Seek advice from a building expert.

If the wood-burning stove is to be in-

stalled on a flammable floor, national and local regulations must be complied with, including for the size of the non-flammable plate, which must cover the floor in front of the wood-burning stove to protect the floor from any embers that fall out of the stove.

The stove must be positioned at a safe distance from flammable material. Due to risk of fire, flammable items (e.g. furniture) may not be positioned closer to the stove than the closest permitted distance stated in the installation section. When deciding where to install your RAIS/ATTIKA stove, you should think about being able to heat other rooms in the home, so you get the most out of your new stove.

After receiving your stove, please check it for any defects.

CHIMNEY

The chimney must be tall enough to ensure correct draught conditions, i.e. -12 to -18 pascal. If the recommended chimney draught cannot be achieved, problems from smoke escaping from the door may arise when lighting the fire. We recommend adapting the chimney to suit the flue outlet connector. The flue outlet connector is 150 mm in diameter.

If the draught is excessive, it is recommended that you equip the chimney with a regulating damper. If a regulating damper is fitted, you must ensure that there is a free flow area of at least 20 cm² at the closed regulating damper.

Remember that there must be unobstructed access to the access door on the chimney.

TECHNICAL DATA

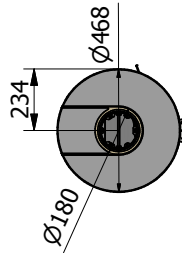
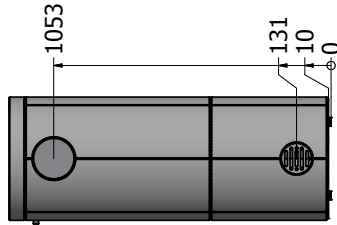
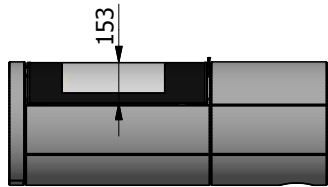
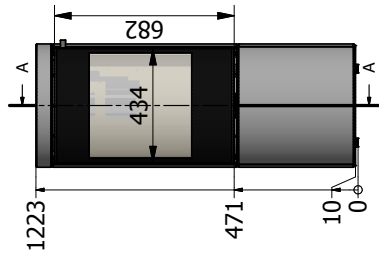
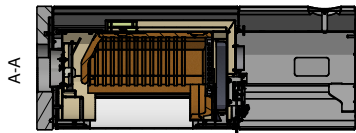
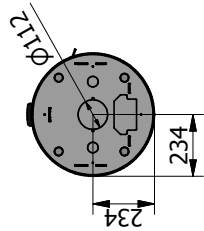
The technical data given below includes specifications, dimensional drawings and the information plate.

SPECIFICATIONS		
KIWA ref.: 61589		
	JUNO 120 L	JUNO 160 L
Nominal output (kW)	4.8	4.8
Min./Max. Output (kW):	3-7*	3-7*
Heating area (m ²)	100	100
Fireplace insert width/depth/height (mm)	Ø468 X 1223	Ø468 X 1673
Combustion chamber W x D x H (mm)	352 X 292 X 305**	352 X 292 X 305**
Min. uptake (pascal)	-12	-12
Weight (kg) min., depending on the model:	203	257
Efficiency (%)	80	80
CO emission attributed to 13% O ₂ (%)	0.0602 (752 mg/Nm ³)	0.0602 (752 mg/Nm ³)
NO _x emission attributed to 13% O ₂ (mg/Nm ³)	80	80
Particle emission in accordance with NS3058/3059 (g/kg)	Manuel 2,116 Clever 1,890	Manuel 2,116 Clever 1,890
Dust measurement in accordance with DIN + 13% O ₂ (mg/Nm ³)	6	6
Flue gas flow (g/s)	4.4	4.4
Flue gas temperature (°C)	282	282
Recommended amount of wood (kg) when stoking the fire (Distributed between 2 logs, each max. 24 cm)	1.4	1.4
Intermittent operation Stoking should be done within	50 minutes	50 minutes

*Not verified by test.

**Max. load

Juno 120 L
Glass door
4716551

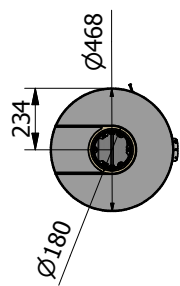
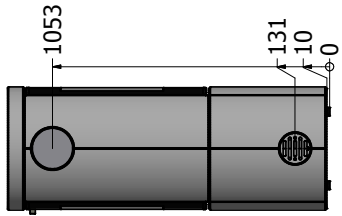
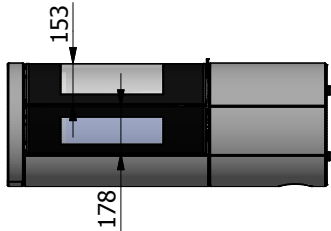
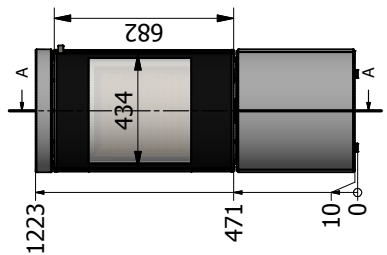
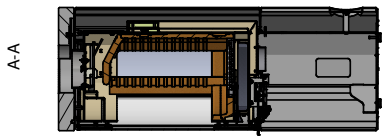
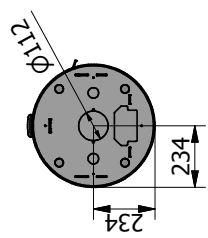


DIMENSIONAL SKETCHES

Juno 120 L G
 Glass door, Side glass
 4716552



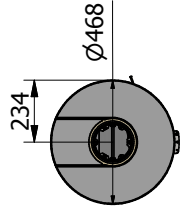
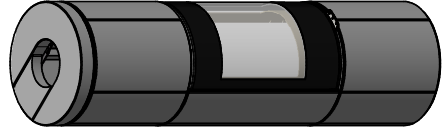
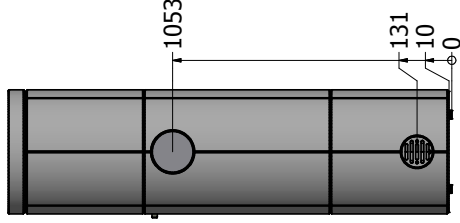
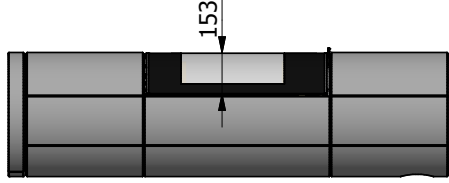
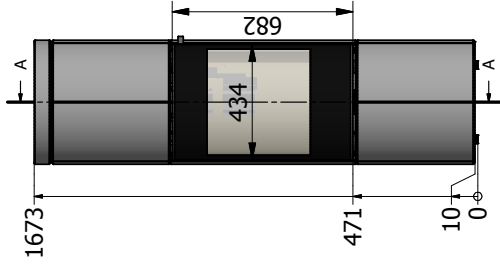
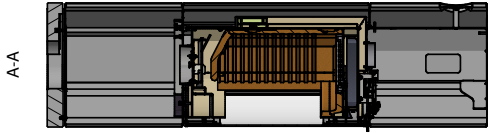
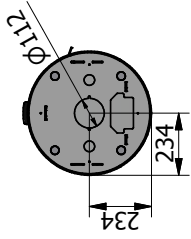
DIMENSIONAL SKETCHES



Juno 160 L
 Glass door
 4716553

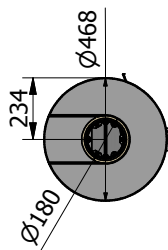
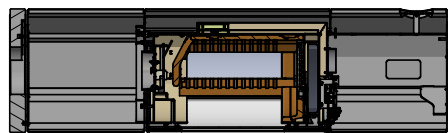
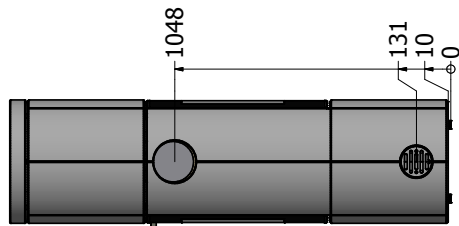
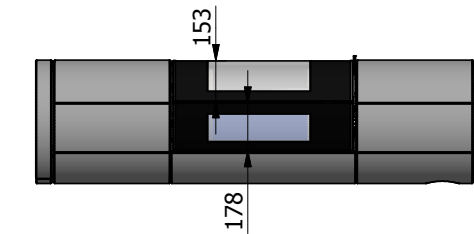
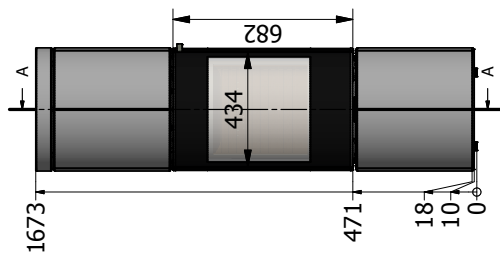
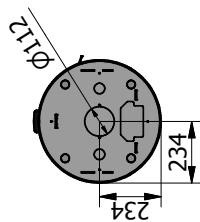
RAISattika®
 ART OF FIRE FEUERKULTUR

DIMENSIONAL SKETCHES



DIMENSIONAL SKETCHES

Juno 160 L G
 Glass door, side glass
 4716554





Information plate



Information plate

All RAIS fireplace inserts have an information plate which states the stove's distance from flammable materials, efficiency, etc. The information plate is laid loose in the fireplace insert on delivery.

Information plate for models without side glass

16			
EN 13240:2001+A2:2004, EC.NO: 171 Notified Body: 1235			
Produced at: RAIS A/S, Industrivej 20, 9900 Frederikshavn, Danmark			
Juno 120 L / Juno 120 L CA / Juno 120 L Classic / Juno 120 L CLASSIC CA Juno 160 L / Juno 160 L CA / Juno 160 L Classic / Juno 160 L CLASSIC CA			
AFSTAND TIL BRÆNDBART, BAGVÆG	DK: 75mm SE BRUGERVEJLEDNING	ABSTAND ZU BRENNBAREN BAUTEILEN, HINTEN	DE: 75mm SIEHE BEDIENUNGSANLEITUNG
DISTANCE TO COMBUSTIBLE BACK WALL	UK: 75mm SEE USER MANUAL	DIST. ENTRE COMPOSANTS COMBUSTIBLES, ARRIÈRE	FR: 75mm CONSULTEZ LE GUIDE DE L'UTILISATEUR
AFSTAND TIL BRÆNDBART, SIDEVÆG	DK: 400mm SE BRUGERVEJLEDNING	ABSTAND ZU BRENNBAREN BAUTEILEN, SEITE	DE: 400mm SIEHE BEDIENUNGSANLEITUNG
DISTANCE TO COMBUSTIBLE SIDE WALL	UK: 400mm SEE USER MANUAL	DISTANCE ENTRE COMPOSANTS COMBUSTIBLES, COTÉ	FR: 400mm CONSULTEZ LE GUIDE DE L'UTILISATEUR
AFSTAND TIL BRÆNDBART, MØBLERING	DK: 850mm SE BRUGERVEJLEDNING	ABSTAND VORNÉ ZU BRENNBAREN MÖBELN	DE: 850mm SIEHE BEDIENUNGSANLEITUNG
DISTANCE TO FURNITURE AT THE FRONT	UK: 850mm SEE USER MANUAL	DISTANCE ENTRE COMPOSANTS COMBUSTIBLES, DEVANT	FR: 850mm CONSULTEZ LE GUIDE DE L'UTILISATEUR
CO EMISSION (REL. 13% O ₂)	0,0602 % / 752 mg/Nm ³	CO EMISSION IN DEN VERBRENNUNGSPRODUKTEN (BEI 13%O ₂)	
EMISSION OF CO IN COMBUSTION PRODUCTS (AT 13%O ₂)		EMISSION CO DANS LES PRODUITS COMBUSTIBLES (À 13%O ₂)	
STØV / STAUB / DUST / POUSSIÈRES:	6 mg/Nm ³	RØGGASTEMPERATUR / ABGASTEMPERATUR /	
FLUE GAS TEMPERATURE / TEMPÉRATURE DES GAZ DE FUMÉE:	282 °C	NOMINEL EFFEKT / HEIZLEISTUNG /	
THERMAL OUTPUT / PUISSANCE CALORIFIQUE:	5,6 kW (UK 4,8KW)	VIRKNINGSGRAD / ENERGIEFFIZIENZ /	
ENERGY EFFICIENCY / EFFICACITÉ ÉNERGÉTIQUE:	80 %	DK: Brug kun anbefalede brændsler. Følg instrukserne i bruger manualen.	DK: BRÆNDE
		Anordningen er egnet til røggassamledning og intervalfyring.	DE: HOLZ
		DE: Lesen und befolgen Sie die Bedienungsanleitung.	UK: WOOD
		Zeitbrandfeuerstätte. Nur empfohlene Brennstoffe einsetzen.	FR: BOIS
		UK: Fuel types (only recommended). Follow the installation and operating instruction manual. Intermittent operation.	
		F: Veuillez lire et observer les instructions du mode d'emploi.	
		Foyer à durée de combustion limitée, homologué pour cheminée à connexions multiples. Utiliser seulement les combustibles recommandés.	
(UK) Not to be used in a shared flue		Raumheizer für feste Brennstoffe Appliance fired by wood Poêle pour combustibles solides	
15a B-VG VKF-NR:22767 Typ FC41x FC51x	Produced for: ATTIKA FEUER AG, Brunnmatt 16, CH-6330 Cham / RAIS A/S, Industrivej 20, DK-9900 Frederikshavn		

Information plate for models with side glass

<p>16</p> <p>EN 13240:2001+A2:2004, EC.NO: 171</p> <p>Notified Body: 1235</p>		 	
<p>Produced at: RAIS A/S, Industrivej 20, 9900 Frederikshavn, Danmark</p>			
<p>Juno 120 L G / Juno 120 L G CA / Juno 120 L G Classic / Juno 120 L G CLASSIC CA Juno 160 L G / Juno 160 L G CA / Juno 160 L G Classic / Juno 160 L G CLASSIC CA</p>			
<p>AFSTAND TIL BRÆNDBART, BAGVÆG ABSTAND ZU BRENNBAREN BAUTEILEN, HINTEN DISTANCE TO COMBUSTIBLE BACK WALL DIST. ENTRE COMPOSANTS COMBUSTIBLES, ARRIÈRE</p> <p>AFSTAND TIL BRÆNDBART, SIDEVÆG ABSTAND ZU BRENNBAREN BAUTEILEN, SEITE DISTANCE TO COMBUSTIBLE SIDE WALL DISTANCE ENTRE COMPOSANTS COMBUSTIBLES, COTÉ</p> <p>AFSTAND TIL BRÆNDBART, MØBLERING ABSTAND VORNE ZU BRENNBAREN MÖBELN DISTANCE TO FURNITURE AT THE FRONT DISTANCE ENTRE COMPOSANTS COMBUSTIBLES, DEVANT</p> <p>CO EMISSION (REL. 13% O₂) CO EMISSION IN DEN VERBRENNINGSPRODUKTEN (BEI 13%O₂) EMISSION OF CO IN COMBUSTION PRODUCTS (AT 13%O₂) EMISSION CO DANS LES PRODUITS COMBUSTIBLES (À 13%O₂)</p> <p>STØV / STAUB / DUST / POUSSIÈRES: RØGGASTEMPERATUR / ABGASTEMPERATUR / FLUE GAS TEMPERATURE / TEMPÉRATURE DES GAZ DE FUMÉE:</p> <p>NOMINEL EFFEKT / HEIZLEISTUNG / THERMAL OUTPUT / PUISSANCE CALORIFIQUE: VIRKNINGSGRAD / ENERGIEEFFIZIENZ / ENERGY EFFICIENCY / EFFICACITÉ ÉNERGÉTIQUE:</p> <p>DK: Brug kun anbefalede brændsler. Følg instrukserne i bruger manualen. Anordningen er egnet til røggassamledning og intervalfyring. DE: Lesen und befolgen Sie die Bedienungsanleitung. Zeitbrandfeuerstätte. Nur empfohlene Brennstoffe einsetzen. UK: Fuel types (only recommended). Follow the installation and operating instruction manual. Intermittent operation. F: Veuillez lire et observer les instructions du mode d'emploi. Foyer à durée de combustion limitée, homologué pour cheminée à connexions multiples. Utiliser seulement les combustibles recommandés.</p>	<p>DK: 75mm SE BRUGERVEJLEDNING DE: 75mm SIEHE BEDIENUNGSANLEITUNG UK: 75mm SEE USER MANUAL FR: 75mm CONSULTEZ LE GUIDE DE L'UTILISATEUR</p> <p>DK: 500mm SE BRUGERVEJLEDNING DE: 500mm SIEHE BEDIENUNGSANLEITUNG UK: 500mm SEE USER MANUAL FR: 500mm CONSULTEZ LE GUIDE DE L'UTILISATEUR</p> <p>DK: 800mm SE BRUGERVEJLEDNING DE: 800mm SIEHE BEDIENUNGSANLEITUNG UK: 800mm SEE USER MANUAL FR: 800mm CONSULTEZ LE GUIDE DE L'UTILISATEUR</p>	<p>0,0602 % / 752 mg/Nm³</p>	<p>6 mg/Nm³</p>
<p>DK: BRÆNDE DE: HOLZ UK: WOOD FR: BOIS</p>	<p>282 °C</p>	<p>5,6 kW (UK 4,8kW)</p>	<p>80 %</p>
<p>(UK) Not to be used in a shared flue</p>		<p>Raumheizer für feste Brennstoffe Appliance fired by wood Poêle pour combustibles solides</p>	
<p>15a B-VG VKF-NR:22767 Typ FC41x FC51x</p>	<p>Produced for: ATTIKA FEUER AG, Brunnmatt 16, CH-6330 Cham / RAIS A/S, Industrivej 20, DK-9900 Frederikshavn</p>		

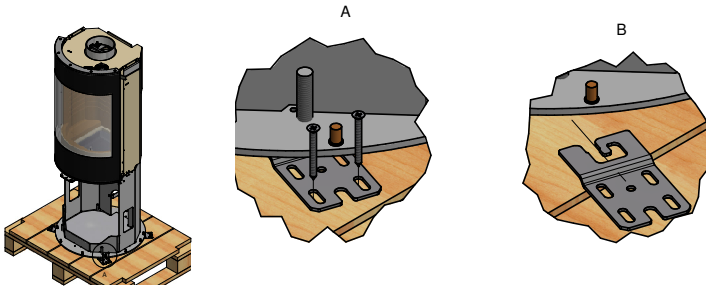
INSTALLATION

The following section explains how to install the stove and includes information about the packaging, installation distances etc.

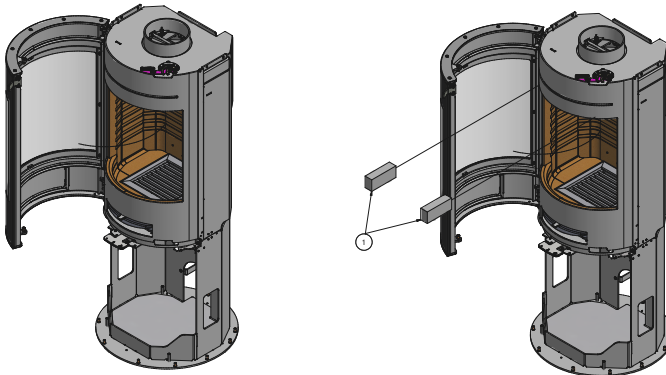
DELIVERY PACKAGING

Upon delivery, the stove is secured to a transport pallet using four transport safety fittings, one in each corner (A).

The safety fittings are secured with screws, which must be unscrewed. The safety fittings can then be removed (B).



The top of the wood-burning stove has two polystyrene blocks (1), which protect the combustion chamber lining in transit. These must be removed before starting a fire in the stove.



DISPOSAL OF PACKAGING

RECYCLING

The fireplace insert is delivered in recyclable packaging.

This packaging must be disposed of in accordance with national regulations relating to the disposal of waste.

The glass is not recyclable.

The glass must be disposed of along with any residual ceramic or porcelain waste. Heat-resistant glass has a higher melting point, which is why it is not recyclable.

By ensuring heat-resistant glass does not end up alongside recyclable products you are making an important contribution to the environment.

INSTALLATION DISTANCES.

IMPORTANT:

Please bear in mind that the installation distances on the following pages only apply to the wood-burning stove.

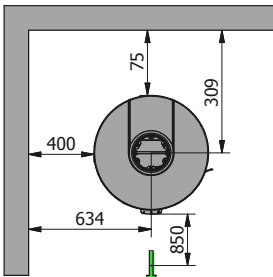
The final choice of Chimney solution may have a larger safety distance to the flammable material. The Chimney solution must always be installed in accordance with current building regulations and in a manner that ensures CE-marking compliance.

INSTALLATION DISTANCE TO FLAMMABLE MATERIAL:

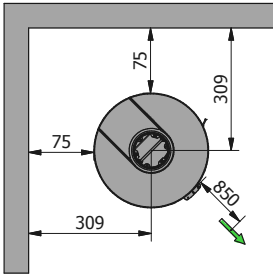
The installation distances applicable to the wood-burning stove are shown below. Bear in mind that the final choice of chimney may have a different safety distance. All dimensions are in mm.

GB

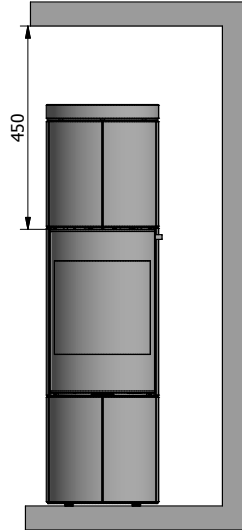
Right-angle installation



Corner installation



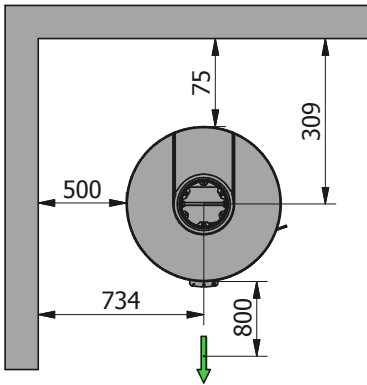
Flammable ceiling



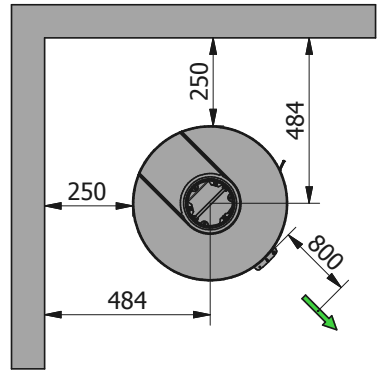
Safety distances to the flammable ceiling are measured from above the door.

INSTALLATION DISTANCE TO FLAMMABLE MATERIAL WITH SIDE GLASSES

Right-angle installation



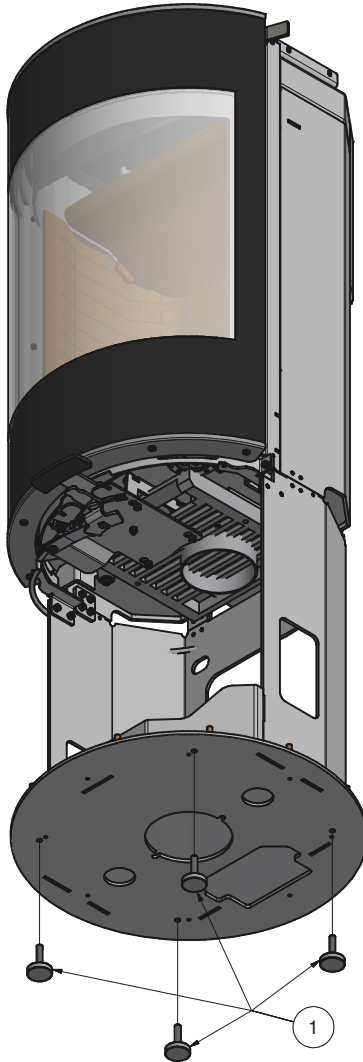
Corner installation



GB

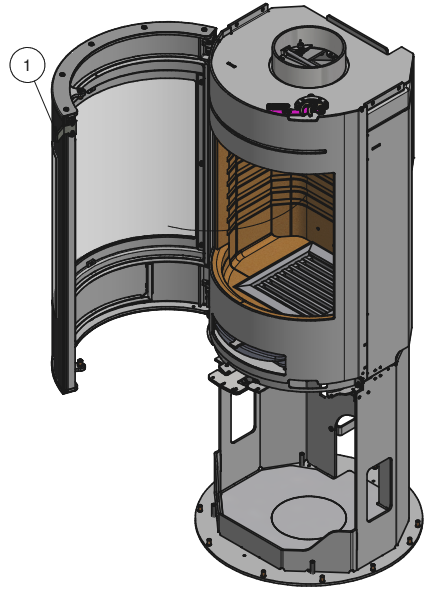
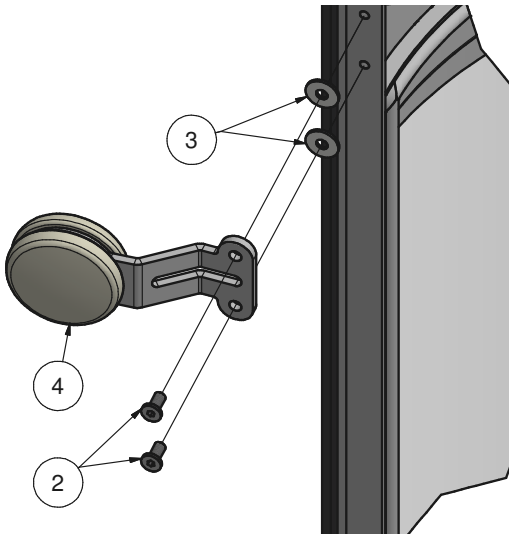
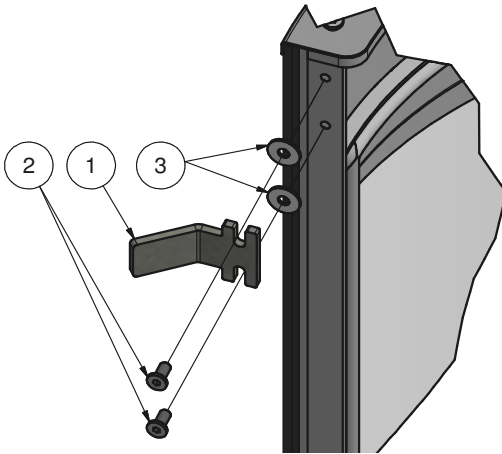
HEIGHT ADJUSTMENT

The stove is equipped with four adjustment screws (1) under the stove. Use the adjustment screws to ensure the wood-burning stove stands level.



FITTING/CHANGING THE HANDLE

The wood-burning stove comes with a temporary handle (1). To remove it, undo the screws (2), and the washers (3). The new handle (4) can now be fitted to the stove using the screws (2) and the washers (3).



REMOVING THE COMBUSTION CHAMBER LINING

The combustion chamber lining protects the body of the stove from the heat of the fire. The large differences in temperature can lead to cracks in the combustion chamber lining. This will not affect the functionality of the stove. The lining will only need be replaced after several years of use when it begins to disintegrate. The liner panels are easy to place in position in the stove and can easily be replaced by you or your dealer.

Procedure for removing the combustion chamber lining:

1. Remove the smoke deflector plate (1) by pulling it forwards and downwards so that the rear end is free of the vertical plates. The smoke deflector can now be carefully removed.

2. Remove the base panels (2).

3. Loosen the side plates (3) by turning the front end of the plate towards the center of the oven. Then take them out carefully.

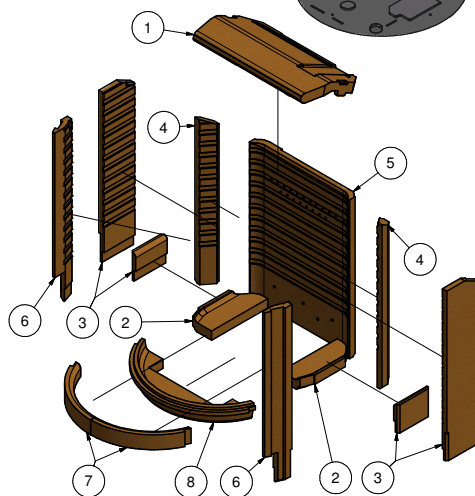
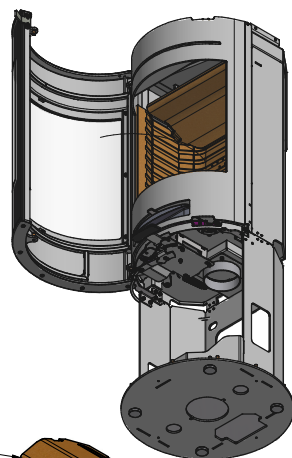
4. Remove the corner plates (4) by pulling the bottom of the plates forward and out.

5. The back plate (5) is now loose and can be removed.

6. Remove the corner plates (6) by pushing the bottom of the stone back and out.

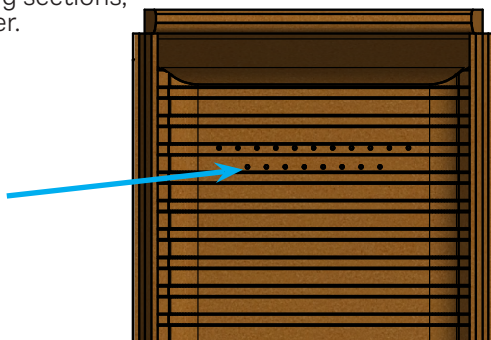
7 The front stones (7) & (8) can now be taken up and out.

To re-install the combustion chamber lining sections, repeat the above procedure in reverse order.



MAX LOAD

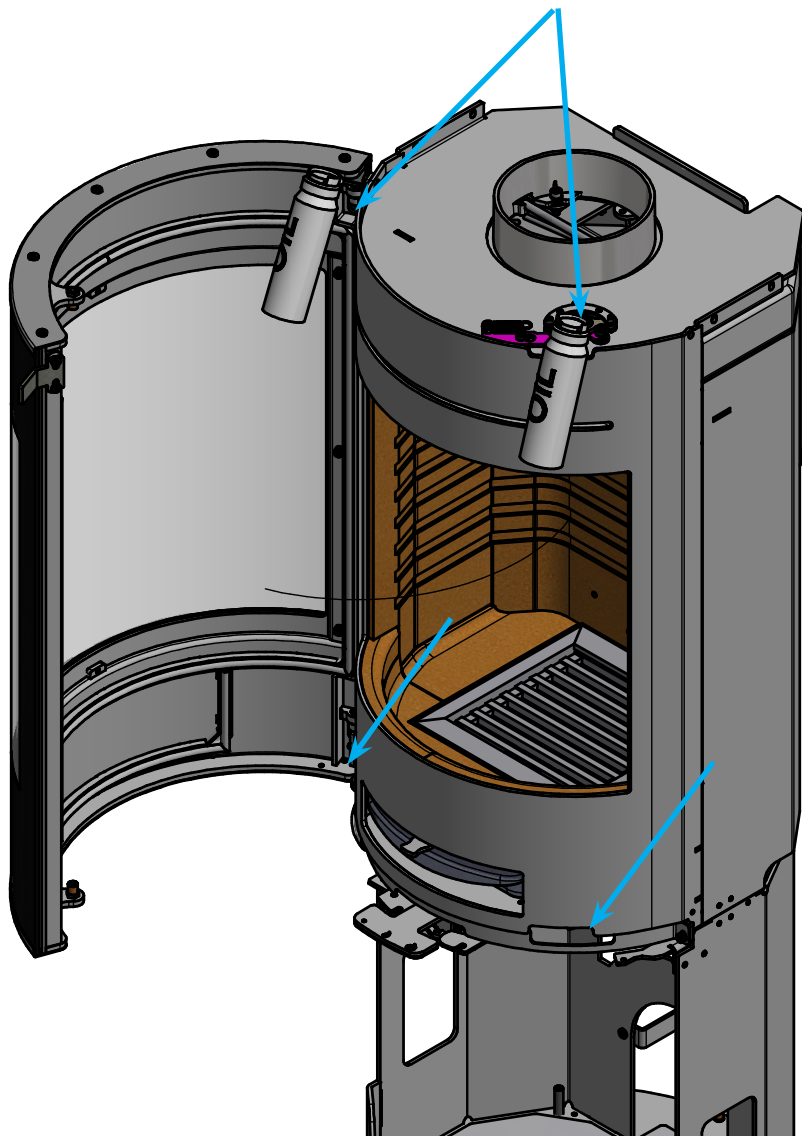
The maximum allowable quantity of wood is marked by the bottom row of holes on the rear panels. In other words, wood should not go above this line.



LUBRICATING THE HINGES

LUBRICATING THE HINGES & LOCK

The fireplace must be lubricated regularly using the four moving parts on the lock and hinges (see image). Use heat-resistant oil.



Smoke outlet spigot

MOUNTING OF THE SMOKE OUTLET SPIGOT

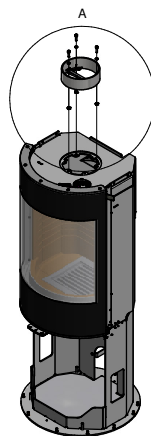
THE SMOKE OUTLET SPIGOT CAN BE TURNED TWO WAYS. YOU CAN CHOOSE EITHER WAY.

Version **A** uses the three free holes:

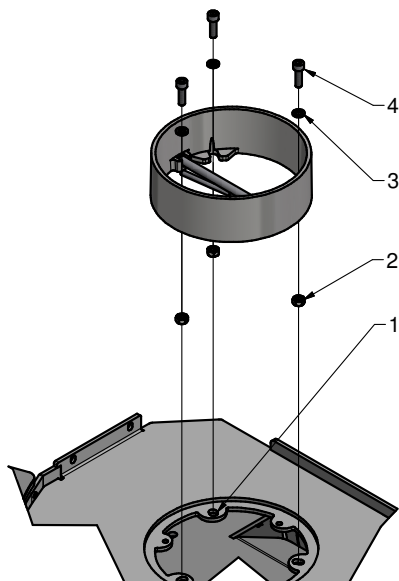
- 1) Ø8 Slits
- 2) M6 Nuts
- 3) M6 Washers
- 4) M6X20mm cylinder screws

Version **B** uses the three threaded holes:

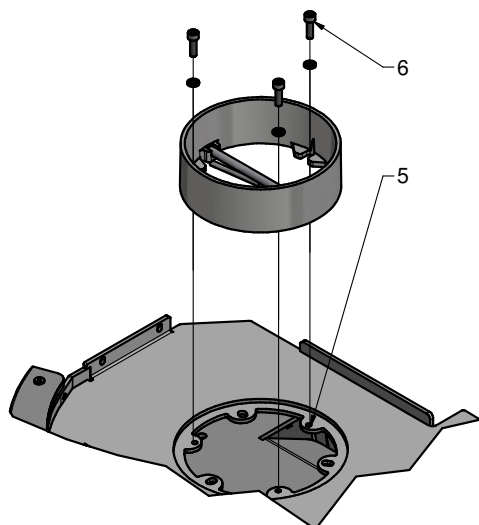
- 5) M6 threaded holes
- 6) M6X20mm cylinder screws



A



B

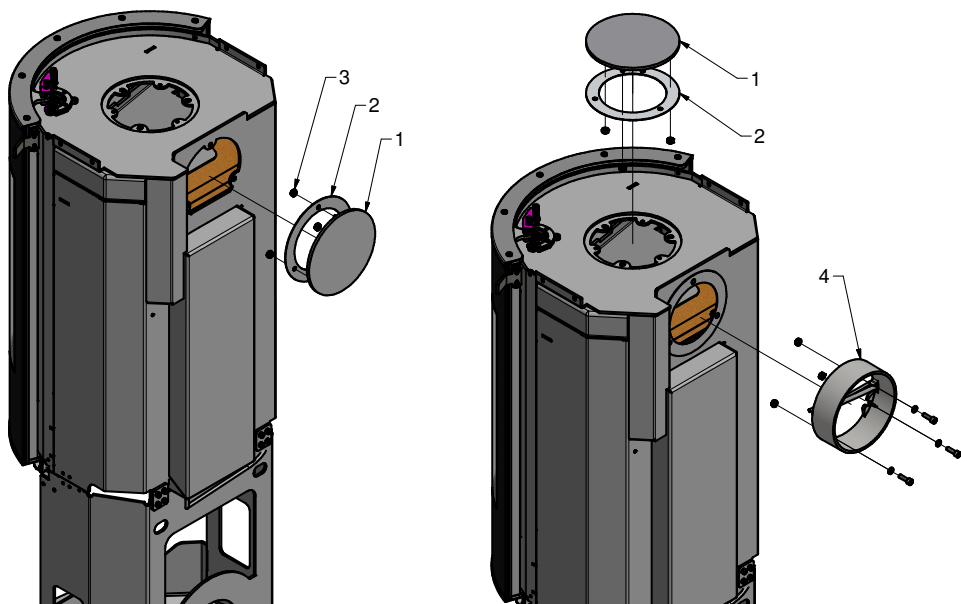


INSTALLATION OF THE SMOKE OUTLET FOR REAR OUTLET.

The stove is ready for top exit on delivery, but can be changed to rear exit in the following way.

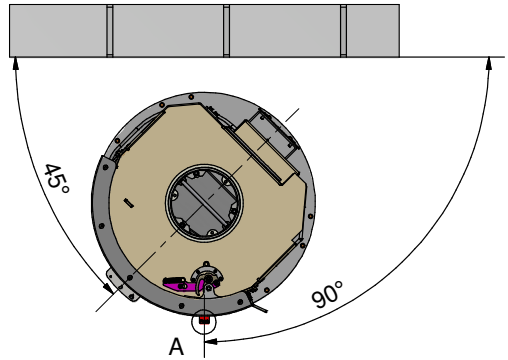
1. Remove the cover (1) and gasket (2) from the rear outlet and mount it on the top outlet, with the three M6 nuts(3).

2. Mount the smoke connection (4) on the rear exit. See the section mounting of smoke outlet spigot.

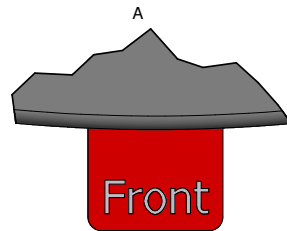


installation with swivel base

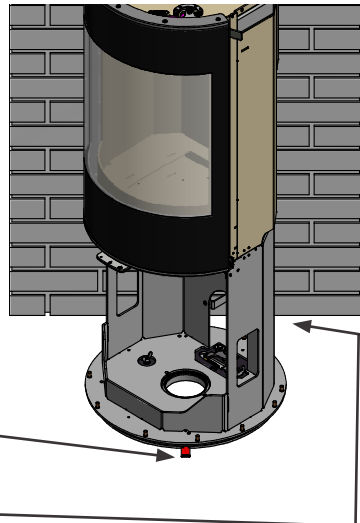
The wood-burning stove can be supplied with a swivel base. To make installation easier, the wood-burning stove is delivered turned 45° to the left. This ensures easier access to the transport screws, which must be removed when setting up.



The plastic block marked “FRONT” represents the wood-burning stove’s actual midpoint and sits in the front of the swivel base. The block must therefore be at 90° in relation to the wall when setting up. The block shall subsequently be removed by carefully pulling it out.



Once the wood-burning stove is in position, the transport fittings can be removed. The swivel base can now move.



Front block.

Air intake cover.

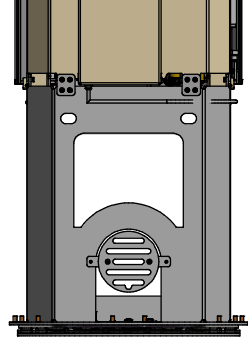
REMOVAL OF SAFETY TRANSPORT FITTINGS

The swivel base is fitted below the wood-burning stove and locked during transport using two wing screws. See below for how to remove these.

The swivel base setting options:

- to turn 90° (45° on each side) - (set to this on delivery)
- to turn 360°

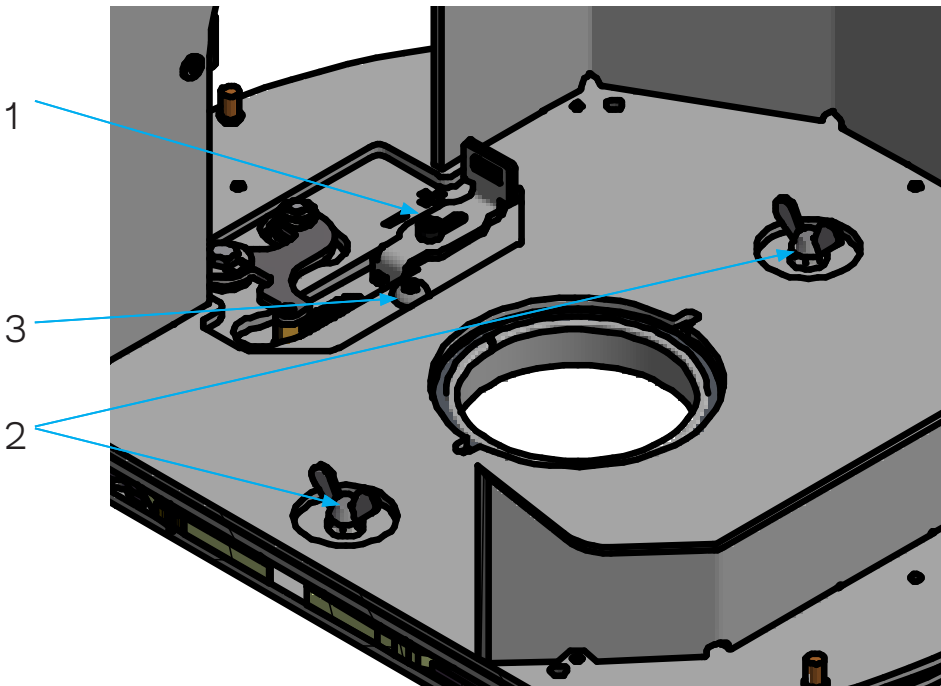
Remove the cover on the rear of the wood-burning stove in order to remove the screws.



The swivel base lock (spring) can be tightened by loosening the screw for the adjustment fitting and moving the fitting to the plus mark. (1) Remember to re-tighten the screw.

Remove the two wing screws. (2) The wood-burning stove can now turn 45° in either direction.

For swivel base setting 360°: Remove the stop screw (3). The wood-burning stove can now turn freely.

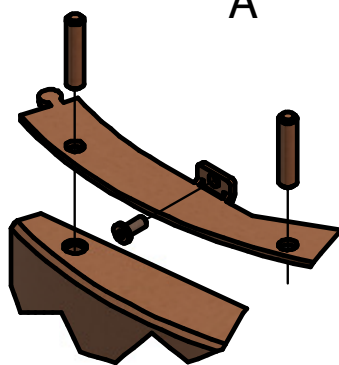
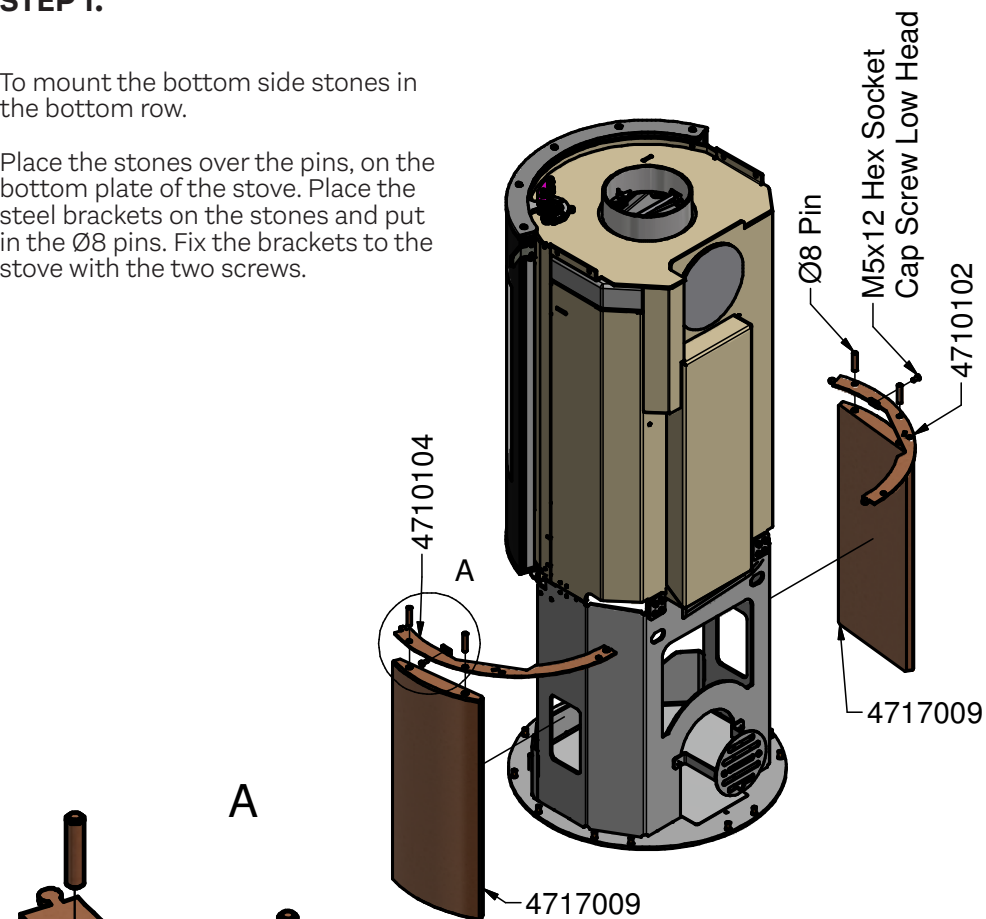


Mounting of the stones for Juno 120 L

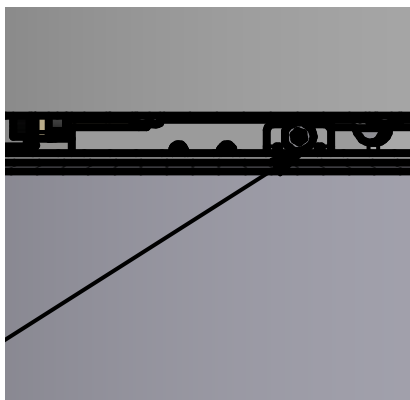
STEP 1.

To mount the bottom side stones in the bottom row.

Place the stones over the pins, on the bottom plate of the stove. Place the steel brackets on the stones and put in the Ø8 pins. Fix the brackets to the stove with the two screws.



Fix the brackets to the stove.

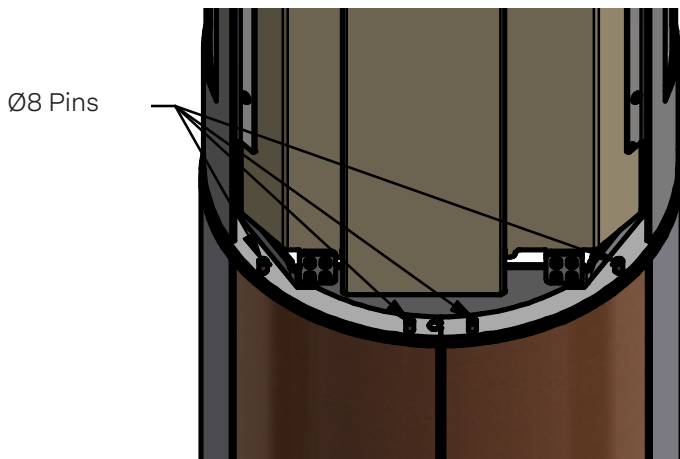
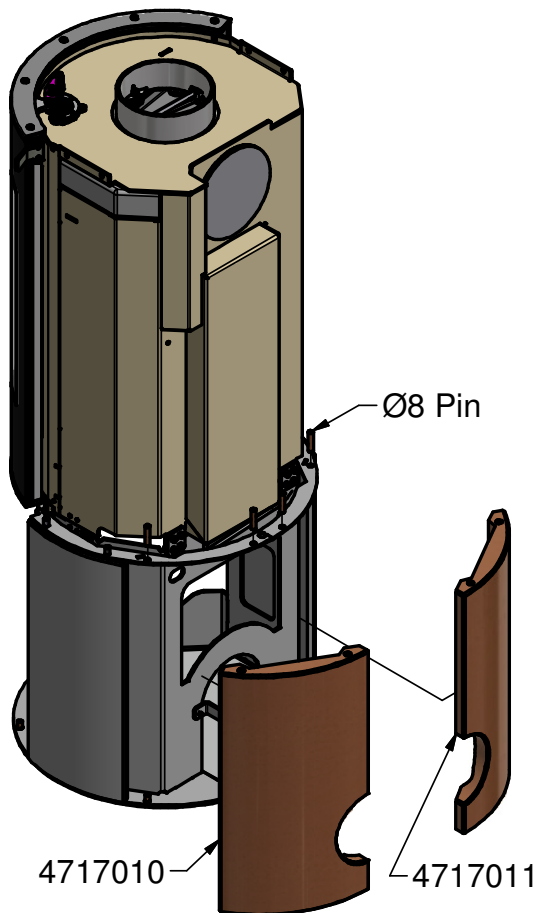


Mounting of the stones for Juno 120 L

STEP 2.

To mount the back stones in the bottom row.

Place the stones on the pins on the bottom plate as shown. Fix the stones in the top, by inserting the four pins through the steel ring.

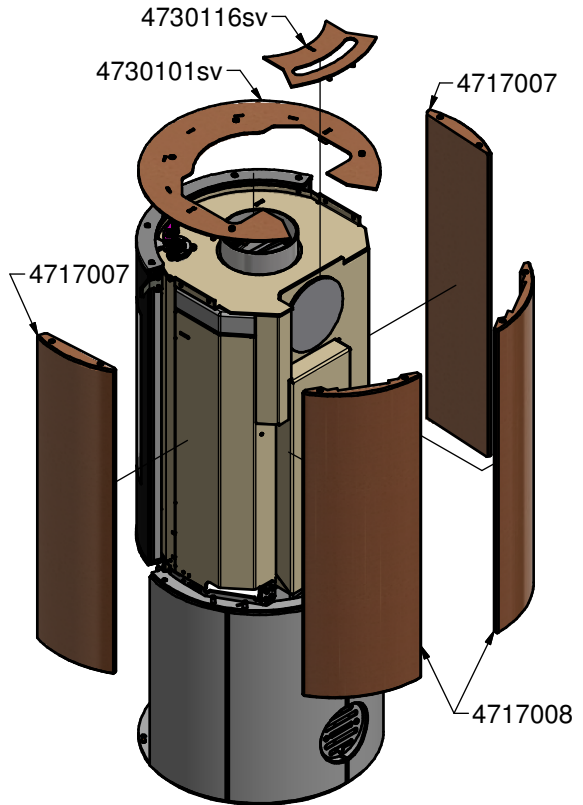


Mounting of the stones for Juno 120 L

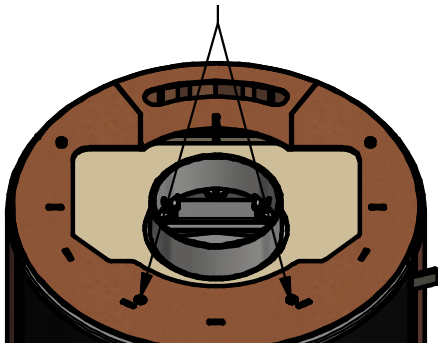
STEP 3 - TOP OUTLET

To mount the stones in the middle row.

Place the stones over the pins in the lower steel ring, place the steel bracket (4730101sv) on top of the burning chamber to fix the stones. Make sure the bracket is engaged on both contact surfaces. Place the steel bracket 4730116sv



The gap between the door and the bracket can be adjusted with these two screws

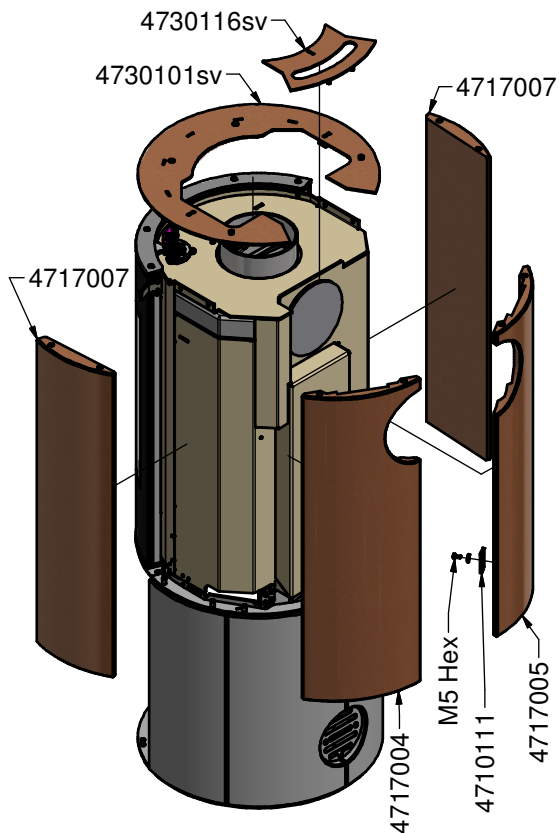


Mounting of the stones for Juno 120 L

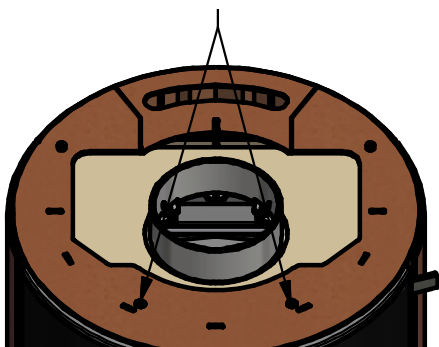
STEP 3 - BACK OUTLET

To mount the stones in the middle row.

Place the two back stones (4717004 & 4717005) over the pins in the lower steel ring, Fix them to the bottom ring with the locking brackets (4710111) by loosening the M5 Hex bolt then slide the locking brackets down into the slits in the bottom ring. Tighten the M5 Hex bolt again. Place the side stones over the pins in the bottom ring, place the steel bracket (4730101sv) on top of the burning chamber to fix the stones. Make sure the bracket is engaged on both contact surfaces. Place the steel bracket 4730116sv



The gap between the door and the bracket can be adjusted with these two screws

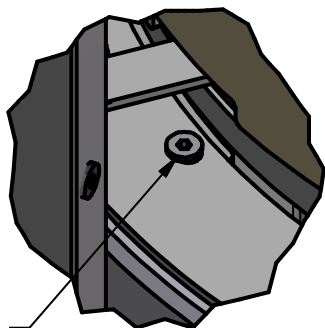
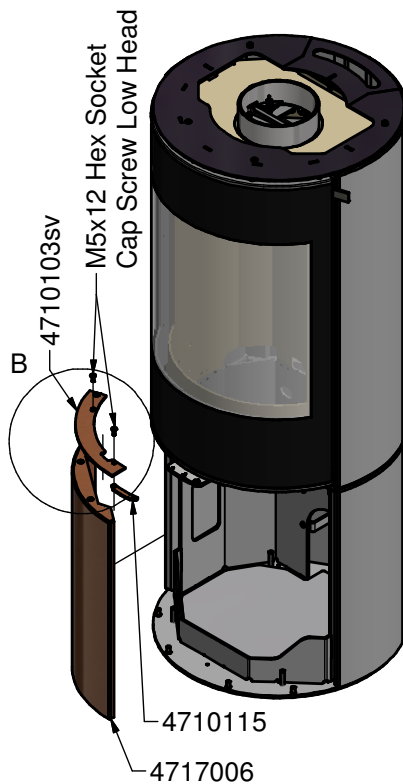
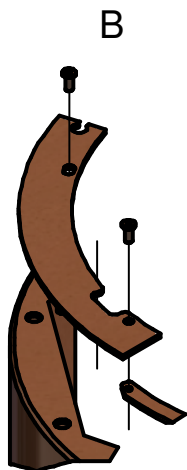


Mounting of the stones for Juno 120 L

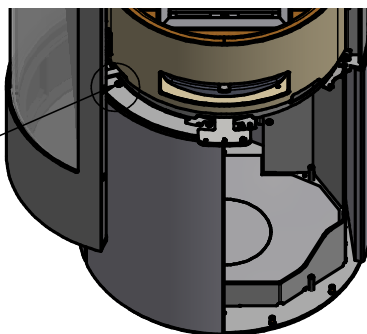
STEP 4.

To mount the left front stone in the bottom row.

Fix the bracket (4710115) to the bracket (4710103sv) with the M5x12 screw, and place them on the stone. Place the bracket and stone on the bottom plate, and fix the bracket to the stove with the other M5x12 screw.



M5x12 screw

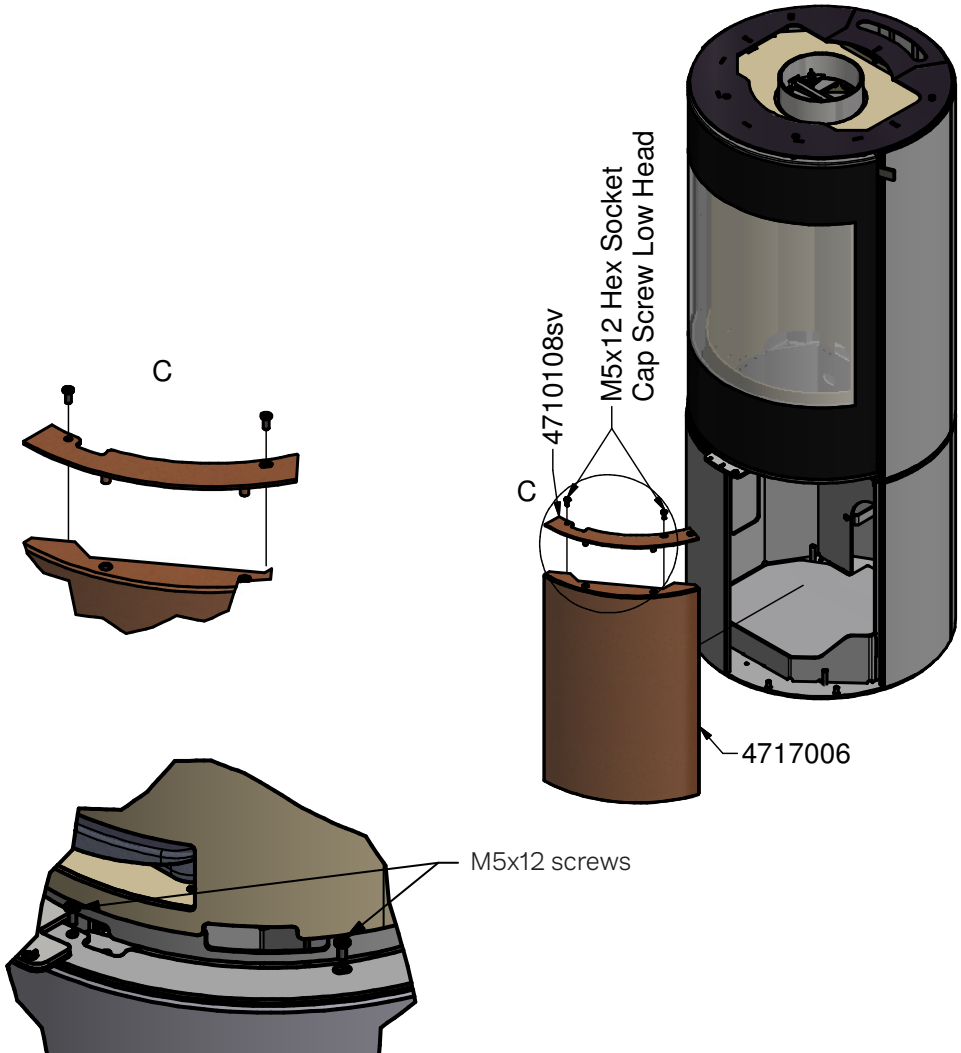


Mounting of the stones for Juno 120 L

STEP 5.

To mount the right front stone in the bottom row.

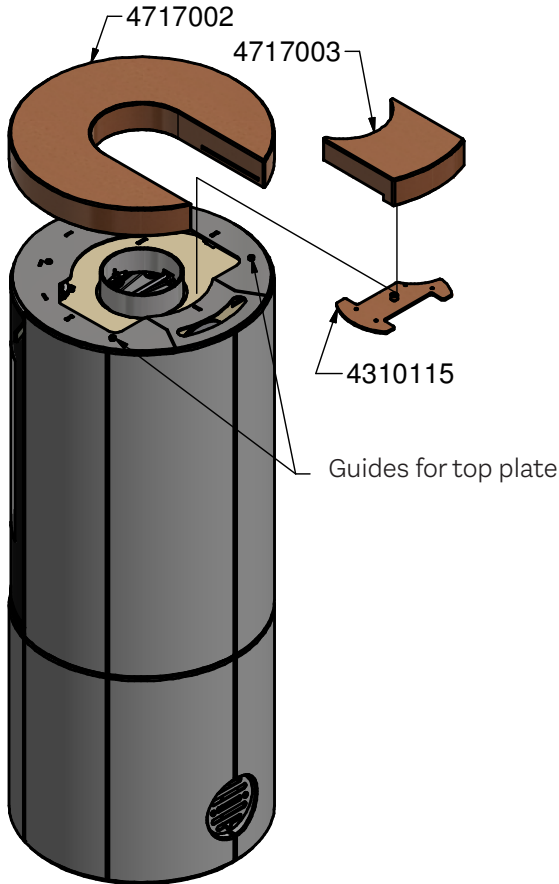
Place the bracket (4710108sv) on the stone. Place the bracket and stone on the bottom plate, and fix the bracket to the stove with the M5x12 screws.



STEP 6. TOP OUTLET

To mount the top stone.

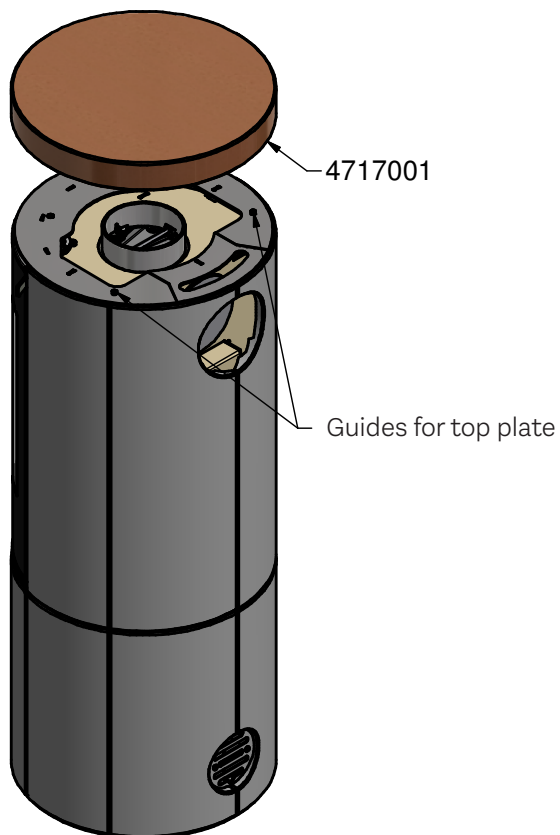
Place the top stone on the two guiding bolts on the steel bracket using the holes on the bottom of the top stone. Place the steel bracket 4310115 in the slit in the top plate, and place the small part of the top plate on the bracket.



STEP 6. BACK OUTLET

To mount the top stone.

Place the top stone on the two guiding bolts on the steel bracket using the holes on the bottom of the top stone.

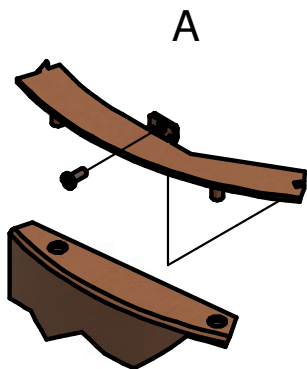
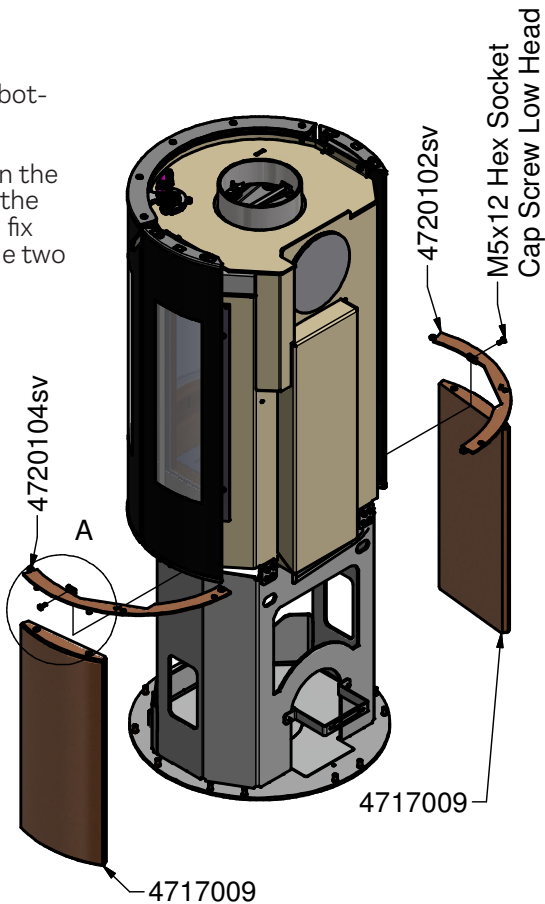


Mounting of the stones for Juno 120 L G

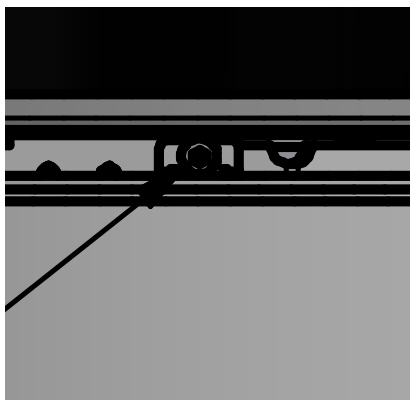
STEP 1.

To mount the side stones in the bottom row.

Place the stones over the pins, on the bottom plate of the stove. Place the steel brackets on the stones and fix the brackets to the stove with the two screws.



Fix the brackets to the stove.

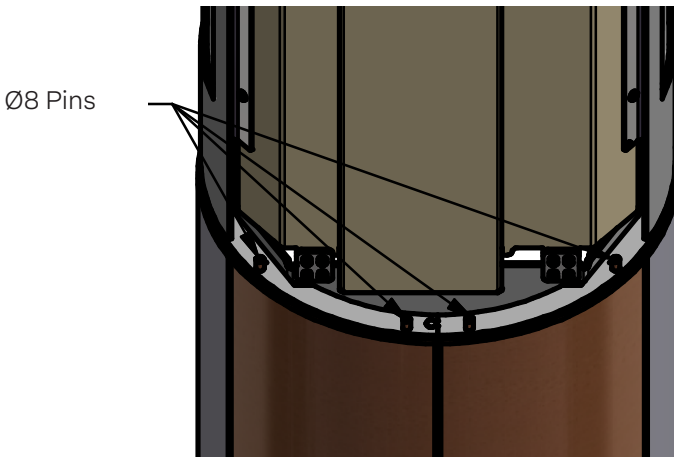
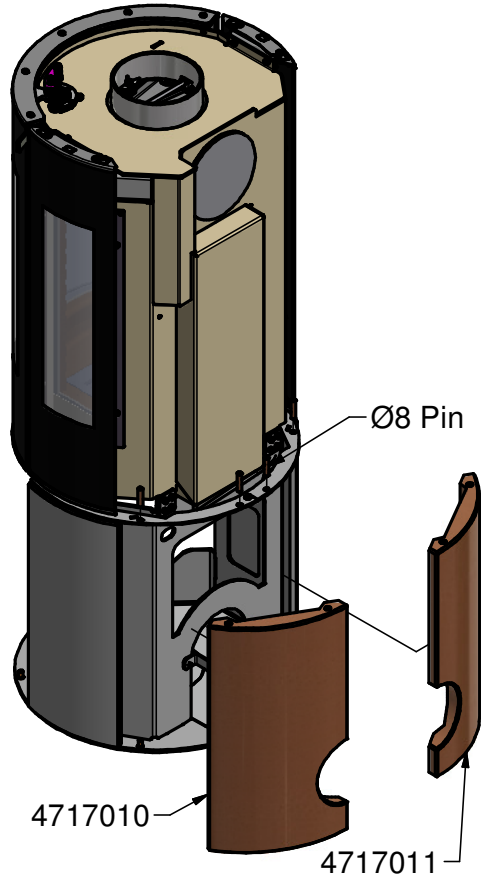


Mounting of the stones for Juno 120 L G

STEP 2.

To mount the back stones in the bottom row.

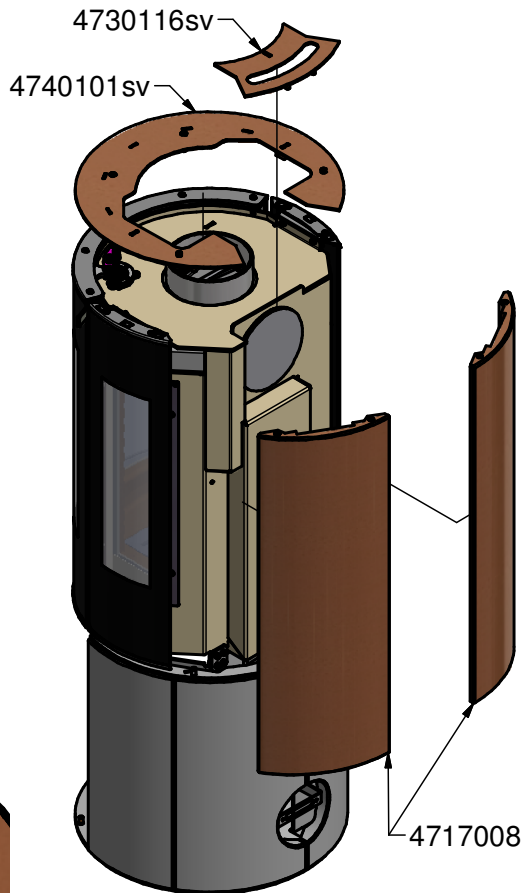
Place the stones on the pins on the bottom plate as shown. Fix the stones in the top, by inserting the four pins through the steel ring.



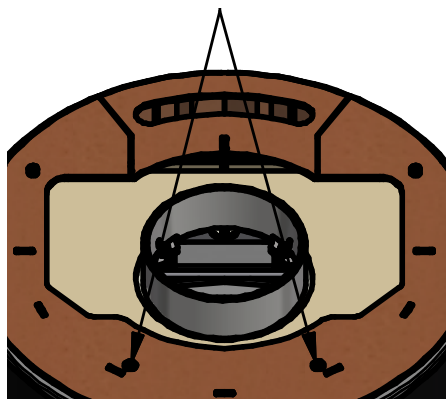
STEP 3 - TOP OUTLET

To mount the rear stones in the middle row.

Place the back stones (4717008) over the pins in the lower steel ring. Place the steel bracket (4740101sv) on top of the burning chamber, fixing the stones. Make sure the bracket is engaged on both contact surfaces. Place the steel bracket 4730116sv.



The gap between the door and the bracket can be adjusted with these two screws



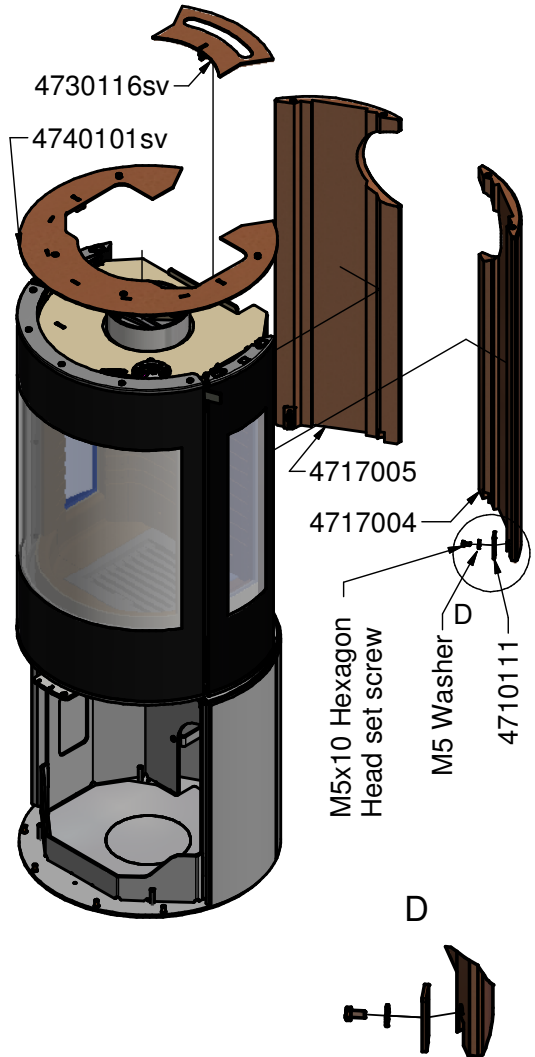
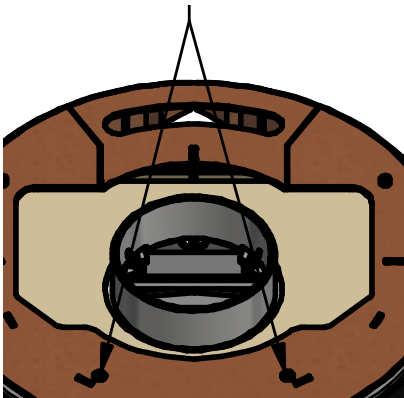
Mounting of the stones for Juno 120 L G

STEP 3 - BACK OUTLET

To mount the rear stones in the middle row.

Place the two back stones (4717004 & 4717005) over the pins in the lower steel ring, Fix them to the bottom ring with the locking brackets (4710111) by loosening the M5 Hex bolt then slide the locking brackets down into the slits in the bottom ring. Tighten the M5 Hex bolt again. Place the steel bracket (4730101sv) on top of the burning chamber to fix the stones. Make sure the bracket is engaged on both contact surfaces. Place the steel bracket 4730116sv

The gap between the door and the bracket can be adjusted with these two screws

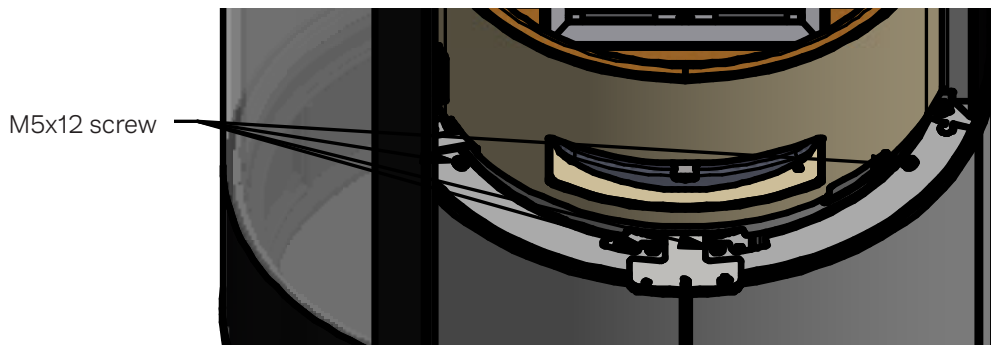
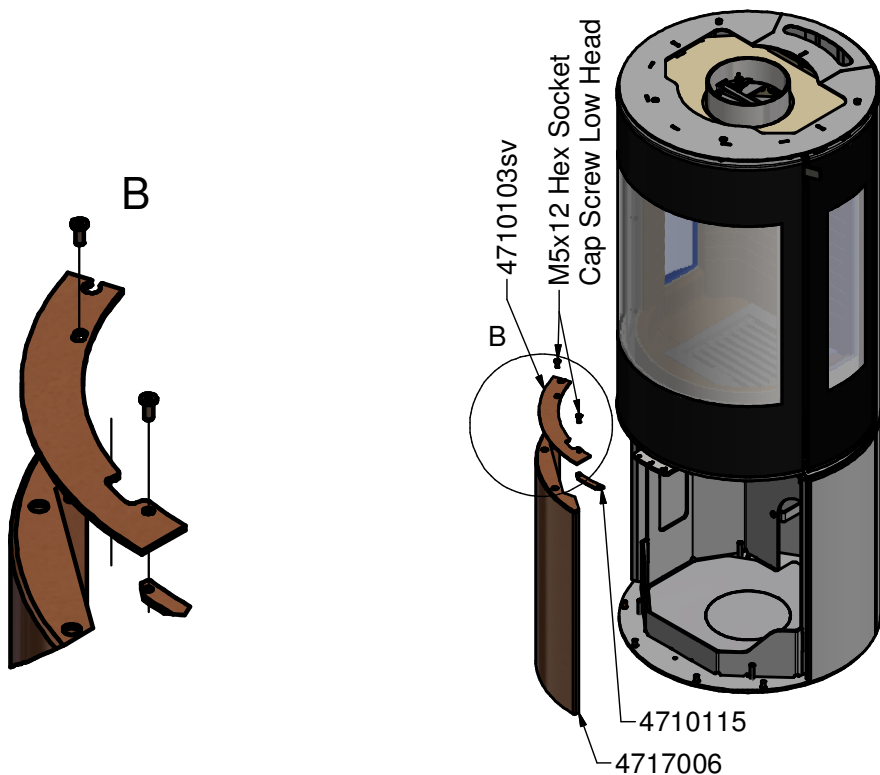


Mounting of the stones for Juno 120 L G

STEP 4.

To mount the left front stone in the bottom row.

Fix the bracket (4710115) to the bracket (4710103sv) with the M5x12 screw, and place them on the stone. Place the bracket and stone on the bottom plate, and fix the bracket to the stove with the other M5x12 screw.

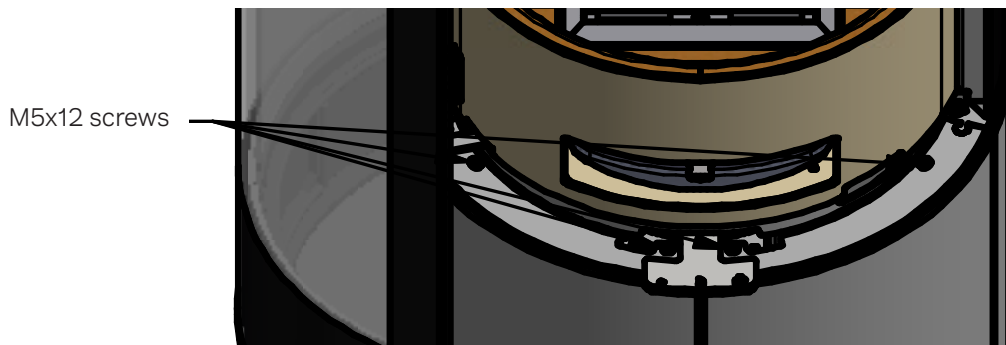
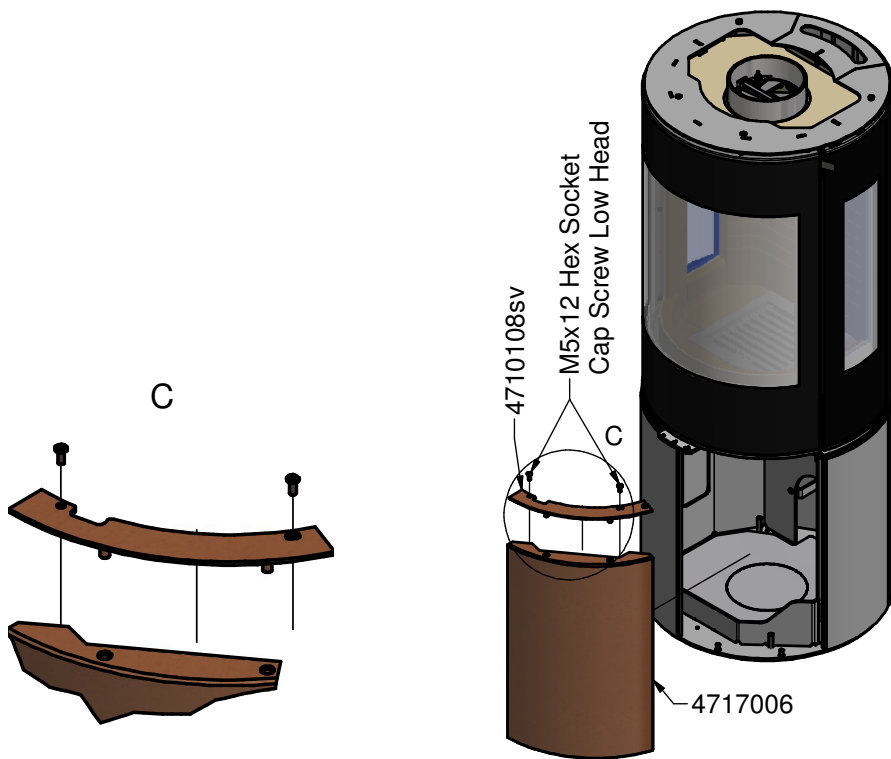


Mounting of the stones for Juno 120 L G

STEP 5.

To mount the right front stone in the bottom row.

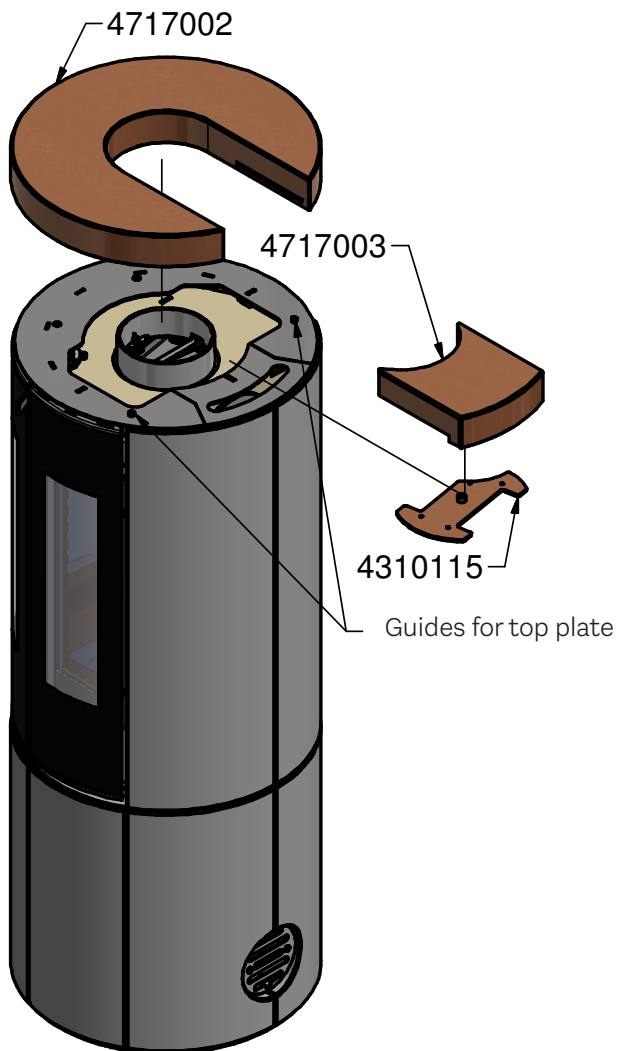
Place the bracket (4710108sv) on the stone. Place the bracket and stone on the bottom plate, and fix the bracket to the stove with the M5x12 screws.



STEP 6. TOP OUTLET

To mount the top stone.

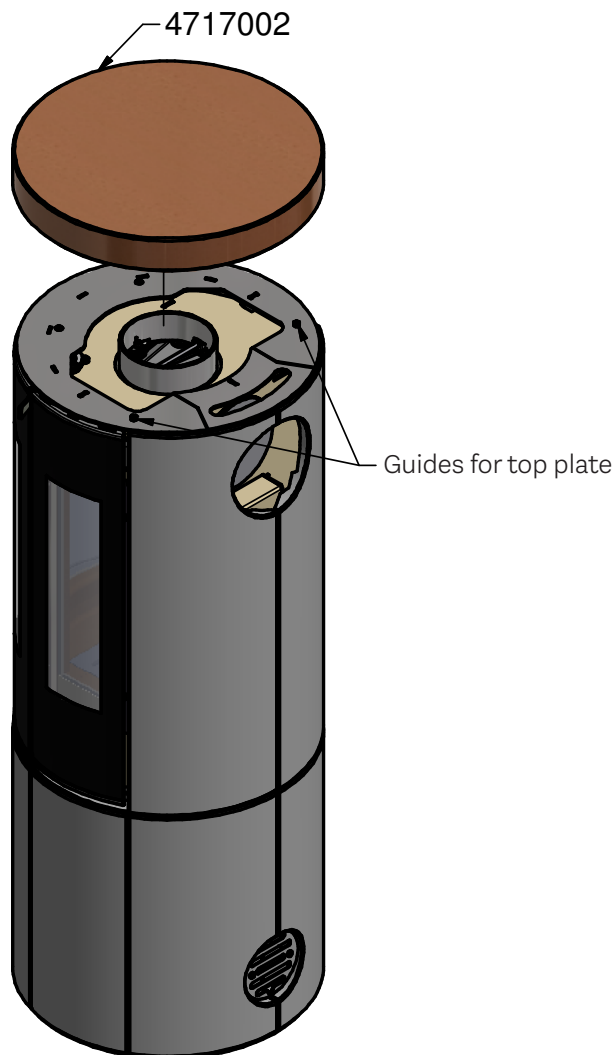
Place the top stone on the two guiding bolts on the steel bracket using the holes on the bottom of the top stone. Place the steel bracket 4310115 in the slit in the top plate, and place the small part of the top plate on the bracket.



STEP 6. BACK OUTLET

To mount the top stone.

Place the top stone on the two guiding bolts on the steel bracket using the holes on the bottom of the top stone.

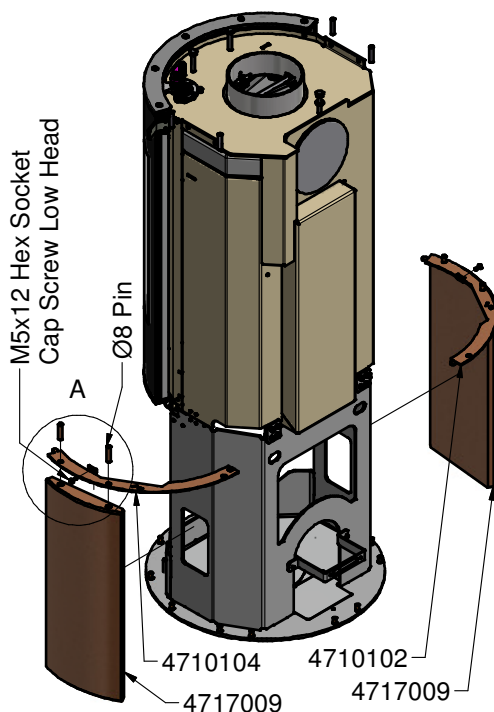
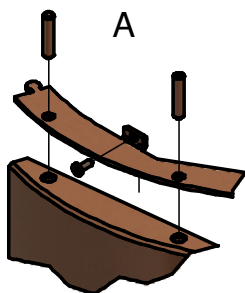


Mounting of the stones for Juno 160 L

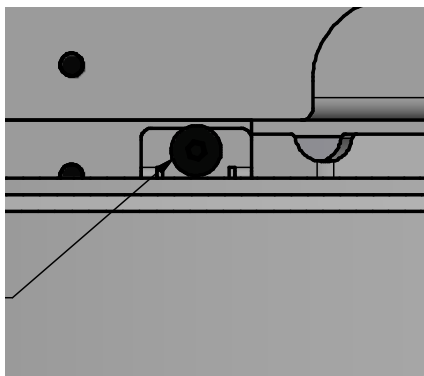
STEP 1.

To mount the bottom side stones in the bottom row.

Place the stones over the pins, on the bottom plate of the stove. Place the steel brackets on the stones and put in the $\varnothing 8$ pins. Fix the brackets to the stove with the two screws.



Fix the brackets to the stove.

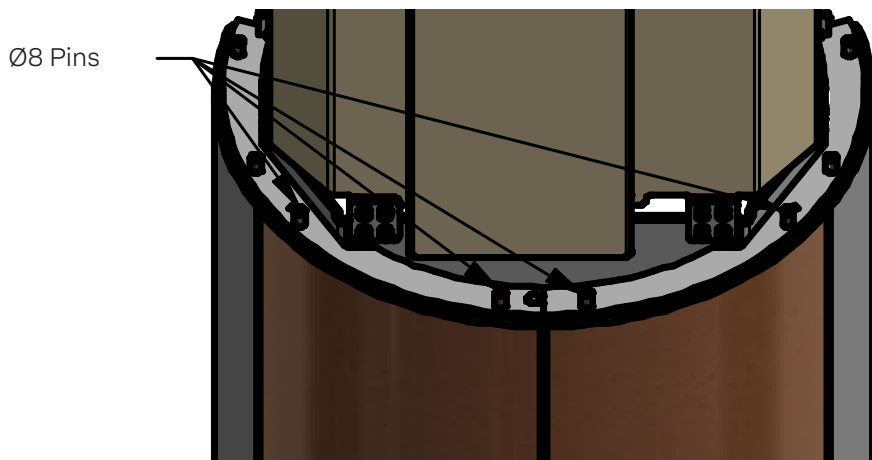
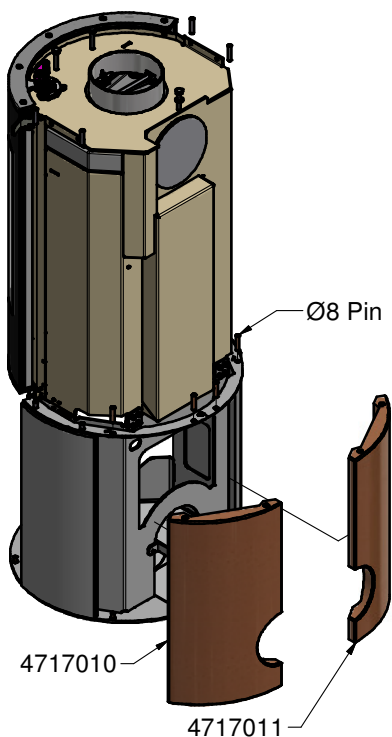


Mounting of the stones for Juno 160 L

STEP 2.

To mount the back stones in the bottom row.

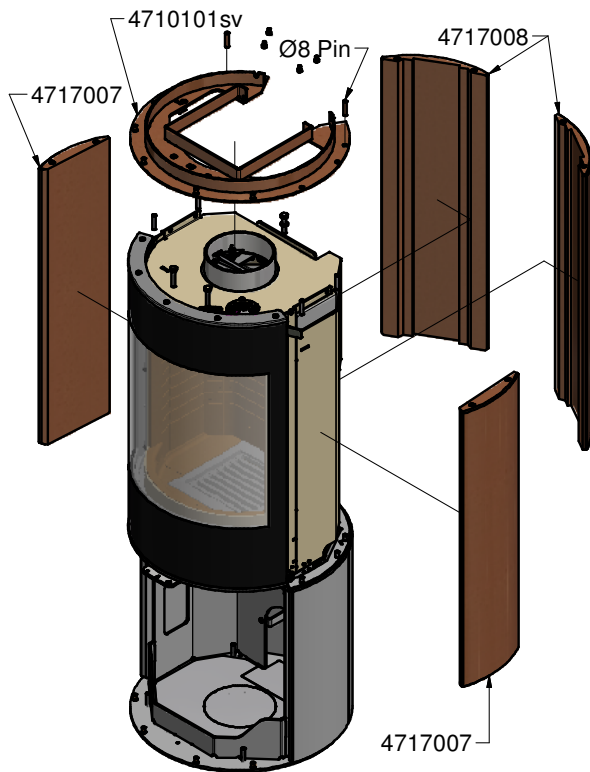
Place the stones on the pins on the bottom plate as shown. Fix the stones in the top, by inserting the four pins through the steel ring.



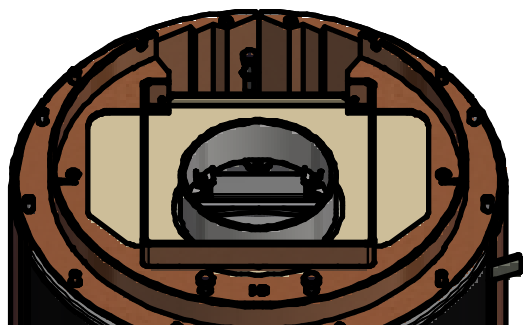
STEP 3 - TOP OUTLET

To mount the stones in the middle row.

Place the side stones (4717007) over the pins in the lower steel ring, place the steel bracket (4710101sv) on top of the burning chamber to fix the stones. Make sure the bracket is engaged on both contact surfaces. Place the back stones (4717008) over the pins in the lower steel ring, fix the stones in the top with the two $\text{\O}8$ pins.



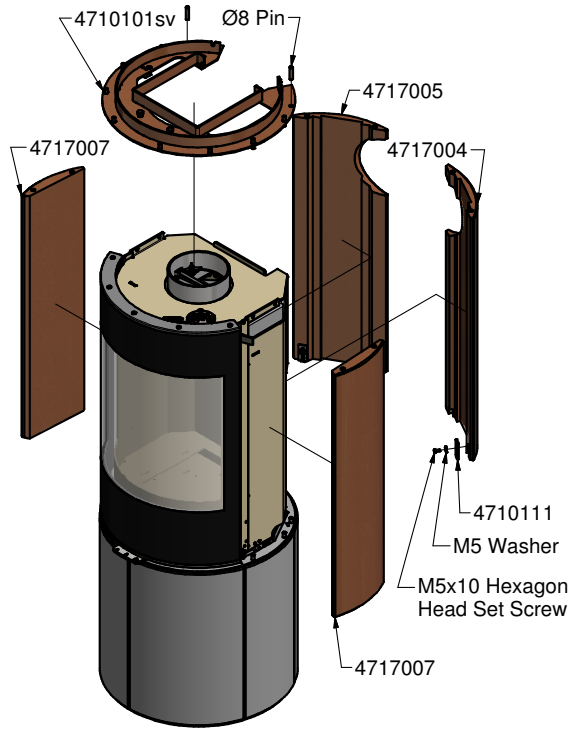
The gap between the door and the bracket can be adjusted with these two screws



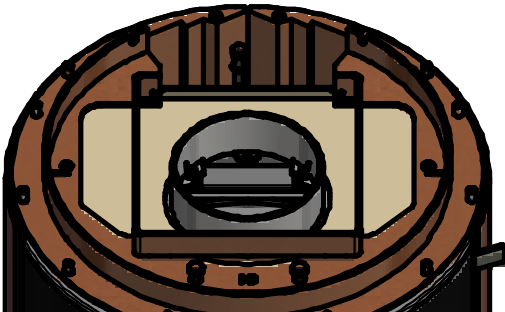
STEP 3 - BACK OUTLET

To mount the stones in the middle row.

Place the two back stones (4717004 & 4717005) over the pins in the lower steel ring, Fix them to the bottom ring with the locking brackets (4710111) by loosening the M5 Hex bolt then slide the locking brackets down into the slits in the bottom ring. Tighten the M5 Hex bolt again. Place the side stones over the pins in the bottom ring, place the steel bracket (4710101sv) on top of the burning chamber to fix the stones. Make sure the bracket is engaged on both contact surfaces. Place the steel bracket 4730116sv



The gap between the door and the bracket can be adjusted with these two screws



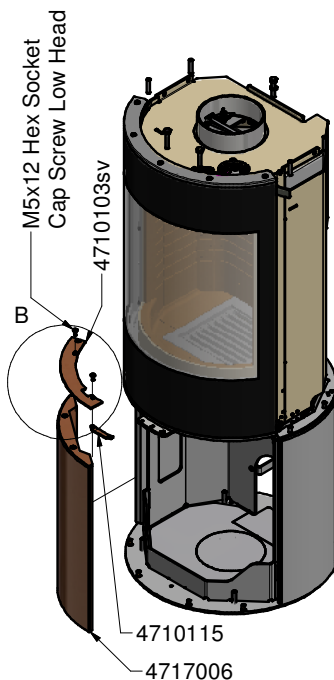
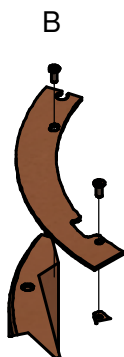
Mounting of the stones - Juno 160 L

STEP 4.

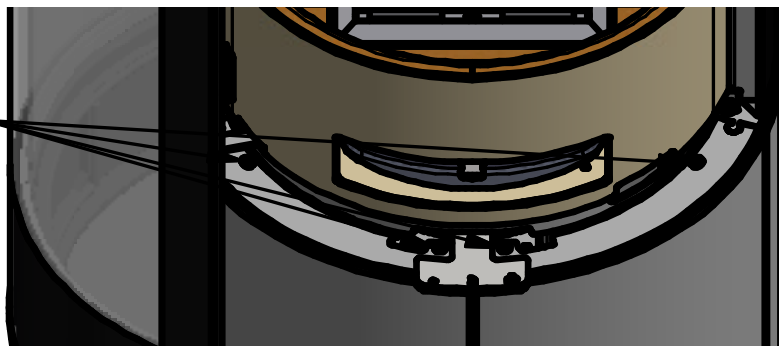
To mount the left front stone in the bottom row.

Fix the bracket (4710115) to the bracket (4710103sv) with the M5x12 screw, and place them on the stone. Place the bracket and stone on the bottom plate, and fix the bracket to the stove with the other M5x12 screw.

GB



M5x12 screw

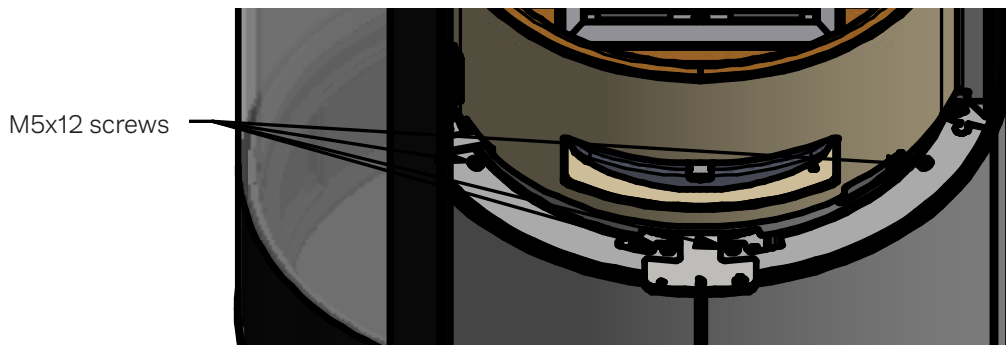
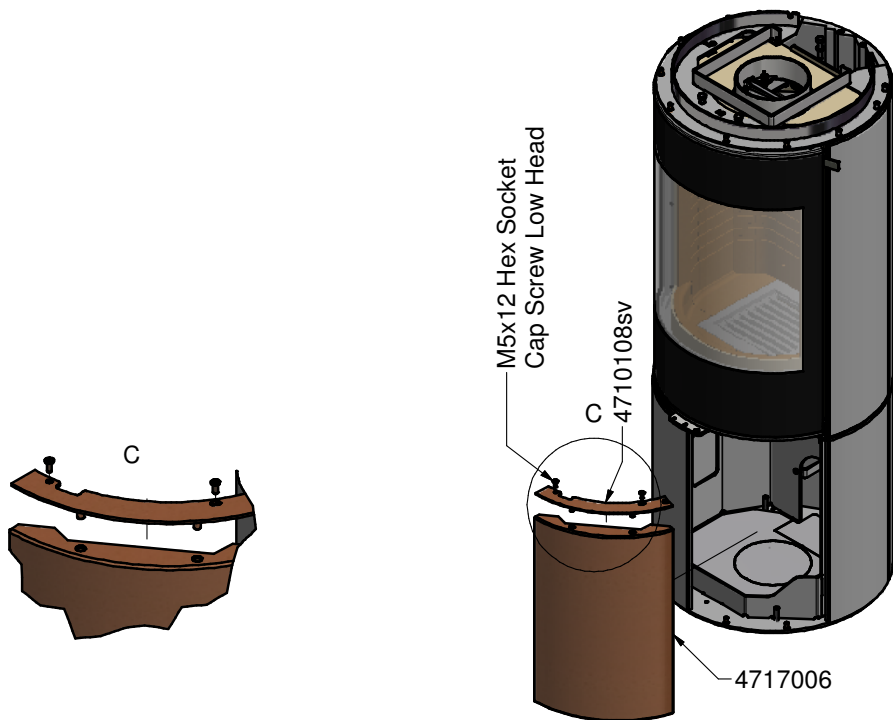


Mounting of the stones - Juno 160 L

STEP 5.

To mount the right front stone in the bottom row.

Place the bracket (4710108sv) on the stone. Place the bracket and stone on the bottom plate, and fix the bracket to the stove with the M5x12 screws.



Mounting of the stones - Juno 160 L

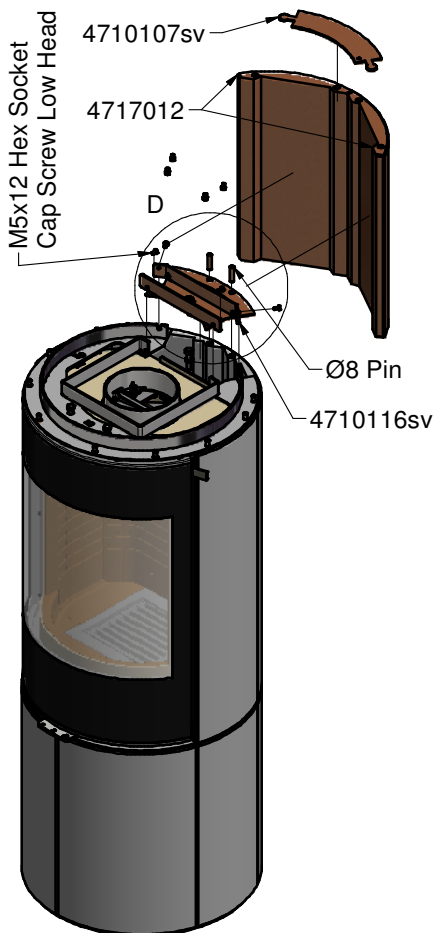
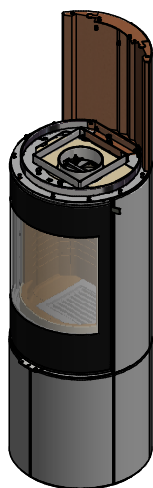
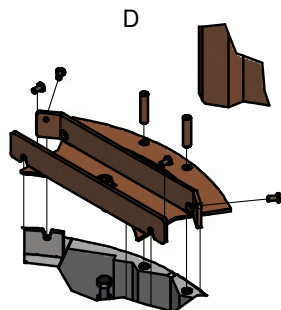
STEP 6.

To mount the back stones in the top row.

Mount the bracket (4710116sv) to the stove with the four M5x10 screws. Place the two Ø8 pins.

Place the two stones on the pins and fix the stone together with the bracket (4710107sv)

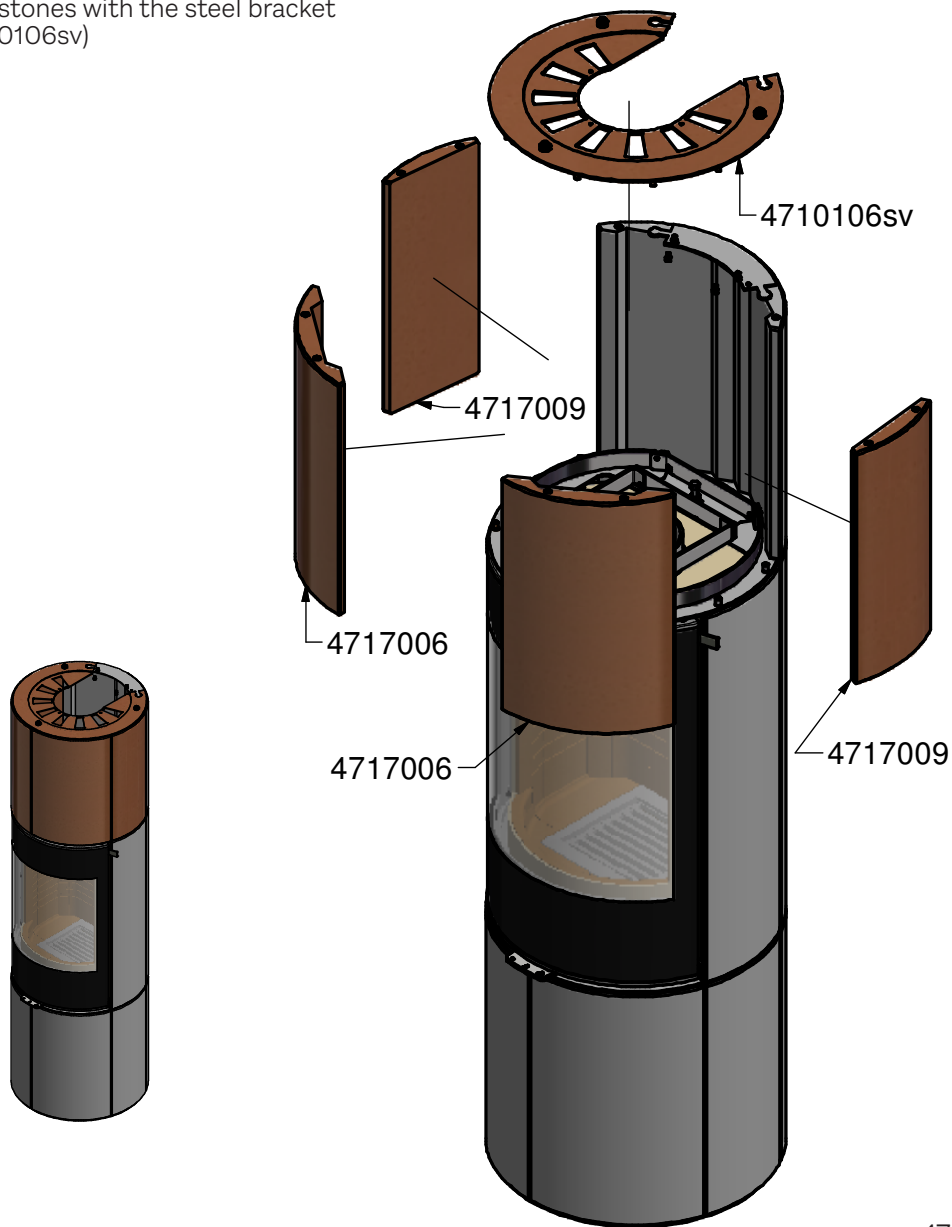
GB



STEP 7.

To mount the side and front stones in the top row.

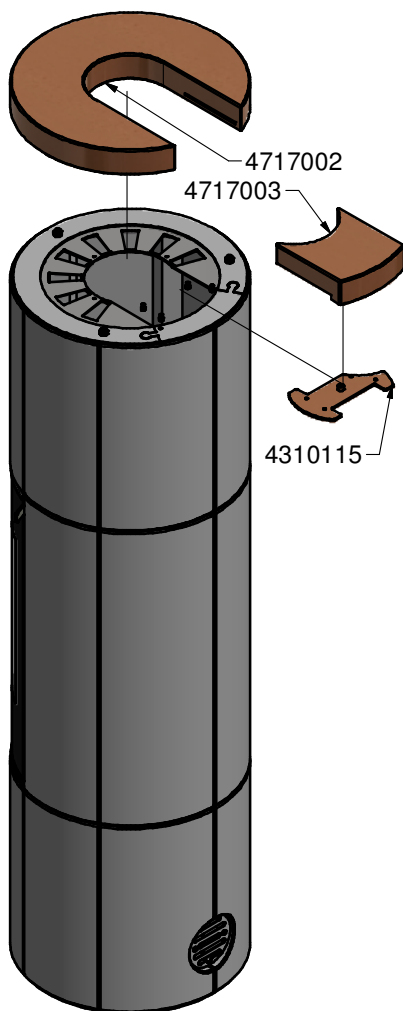
Place the side and front stones on the pins in the steel bracket. Fix the stones with the steel bracket (4710106sv)



STEP 8. TOP OUTLET

To mount the top stone.

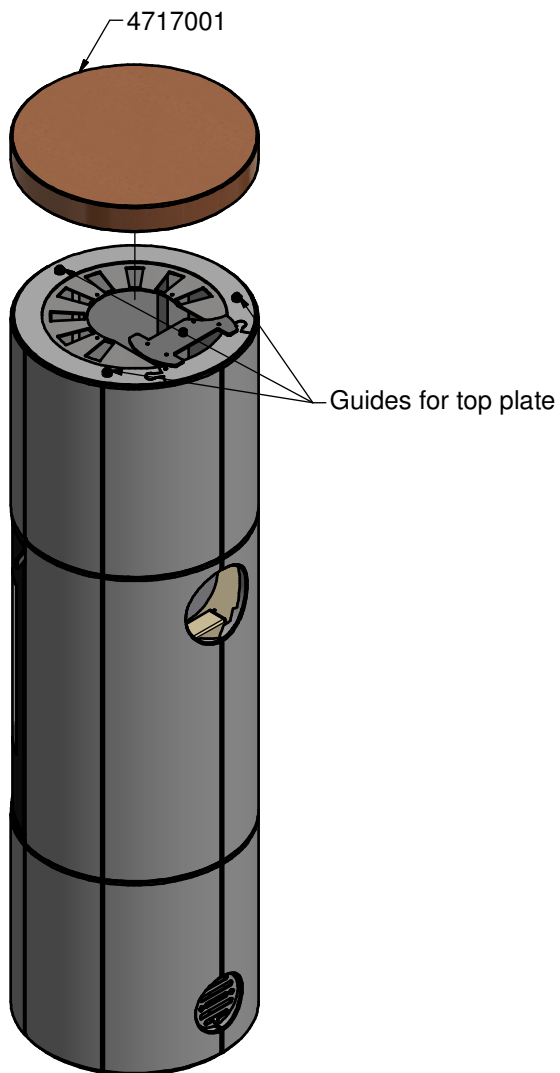
Place the top stone on the two guiding bolts on the steel bracket using the holes on the bottom of the top stone. Place the steel bracket 4310115 in the slit in the top plate, and place the small part of the top plate on the bracket.



STEP 8. BACK OUTLET

To mount the top stone.

Place the top stone on the two guiding bolts on the steel bracket using the holes on the bottom of the top stone.



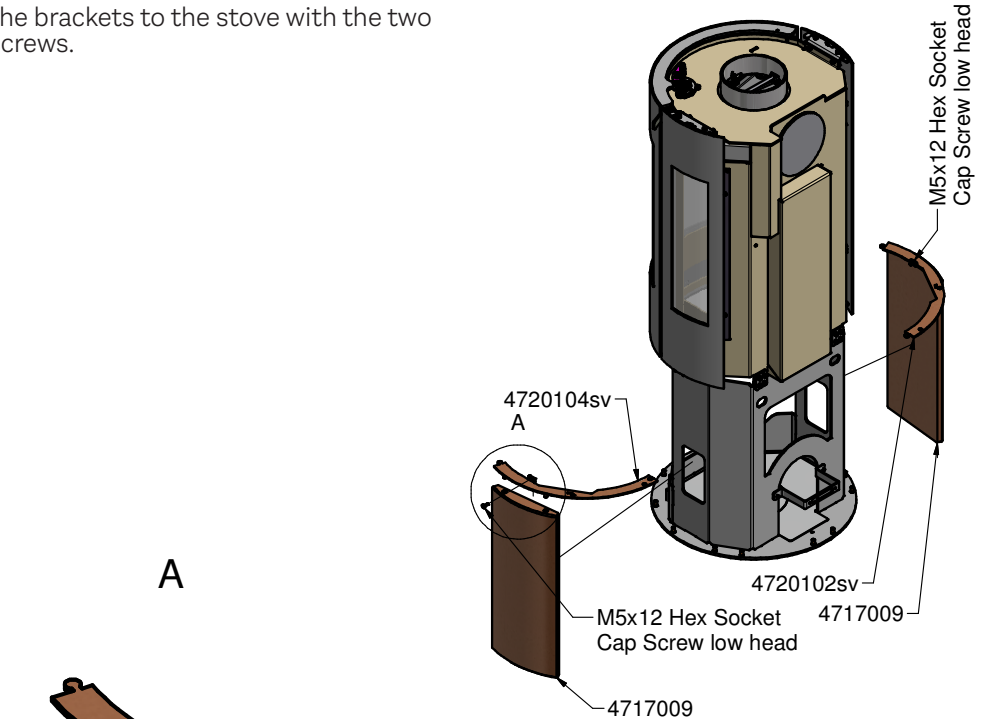
Mounting of the stones - Juno 160 L G

STEP 1.

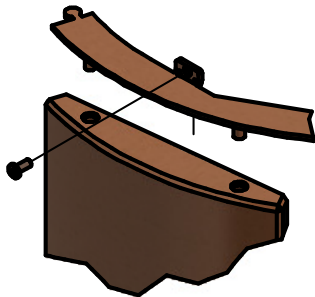
To mount the bottom side stones in the bottom row.

Place the stones over the pins, on the bottom plate of the stove. Place the steel brackets on the stones and fix the brackets to the stove with the two screws.

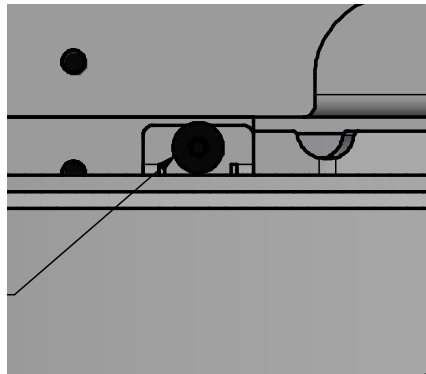
GB



A



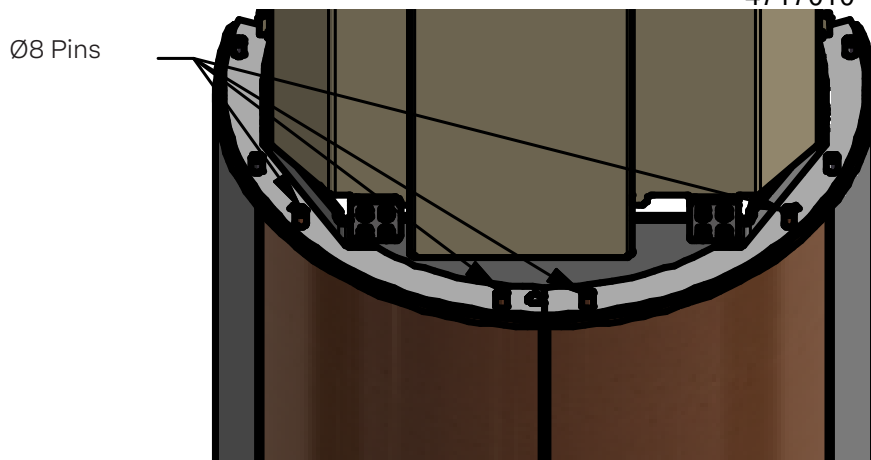
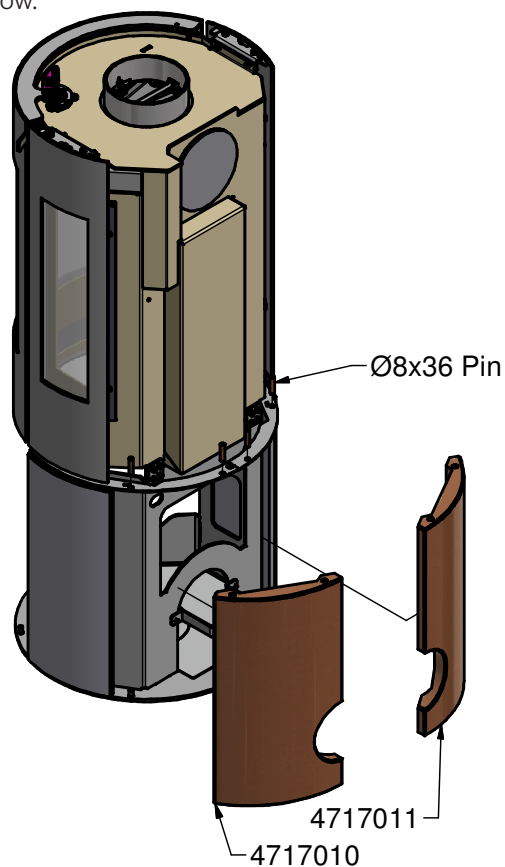
Fix the brackets to the stove.



STEP 2.

To mount the back stones in the bottom row.

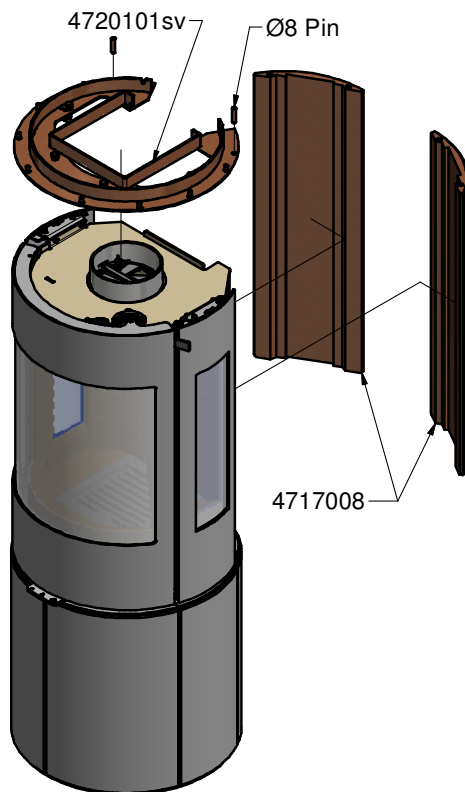
Place the stones on the pins on the bottom plate as shown. Fix the stones in the top, by inserting the four pins through the steel ring.



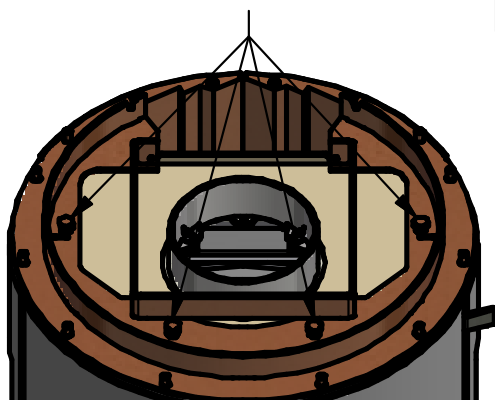
STEP 3 - TOP OUTLET

To mount the stones in the middle row.

Place the backstones (4717008) over the pins in the lower steel ring, place the steel bracket (4720101sv) on top of the combustion chamber. Make sure the bracket is engaged on both contact surfaces. Fix the stones by inserting the two Ø8 pins at the top.



The gap between the door and the bracket can be adjusted with these four screws

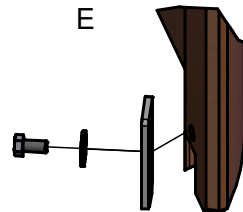
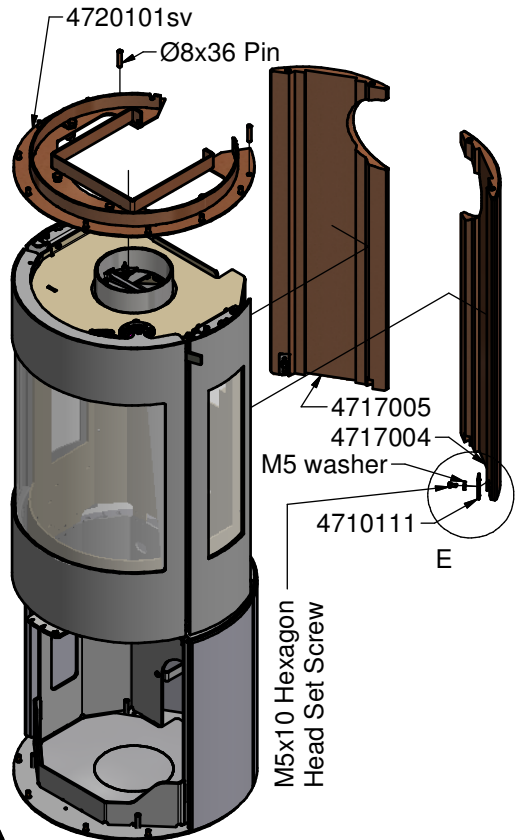
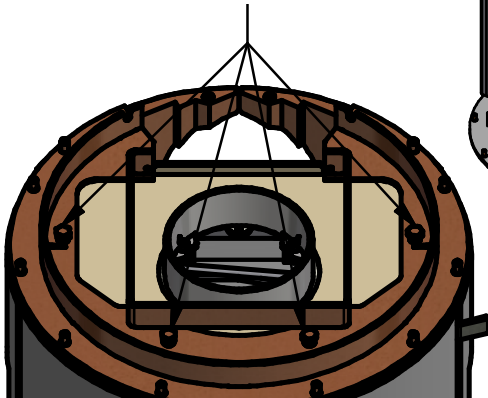


STEP 3 - BACK OUTLET

To mount the stones in the middle row.

Place the two back stones (4717004 & 4717005) over the pins in the lower steel ring, Fix them to the bottom ring with the locking brackets (4710111) by loosening the M5 Hex bolt then slide the locking brackets down into the slits in the bottom ring. Tighten the M5 Hex bolt again. Place the steel bracket (4720101sv) on top of the burning chamber, make sure the bracket is engaged on both contact surfaces. Fix the stones by inserting the two Ø8 pins at the top.

The gap between the door and the bracket can be adjusted with these four screws



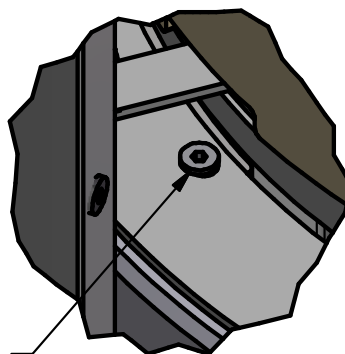
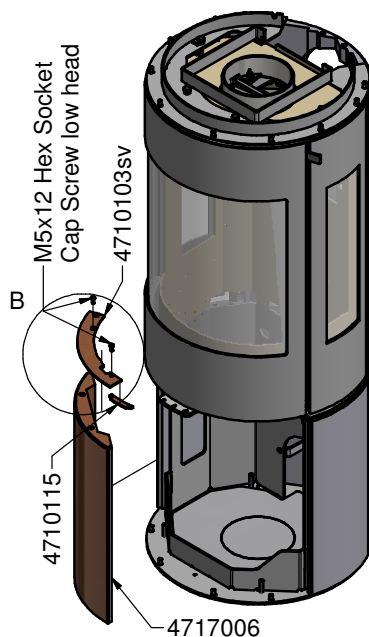
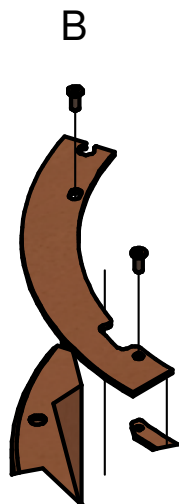
Mounting of the stones - Juno 160 L G

STEP 4.

To mount the left front stone in the bottom row.

Fix the bracket (4710115) to the bracket (4710103sv) with the M5x12 screw, and place them on the stone. Place the bracket and stone on the bottom plate, and fix the bracket to the stove with the other M5x12 screw.

GB



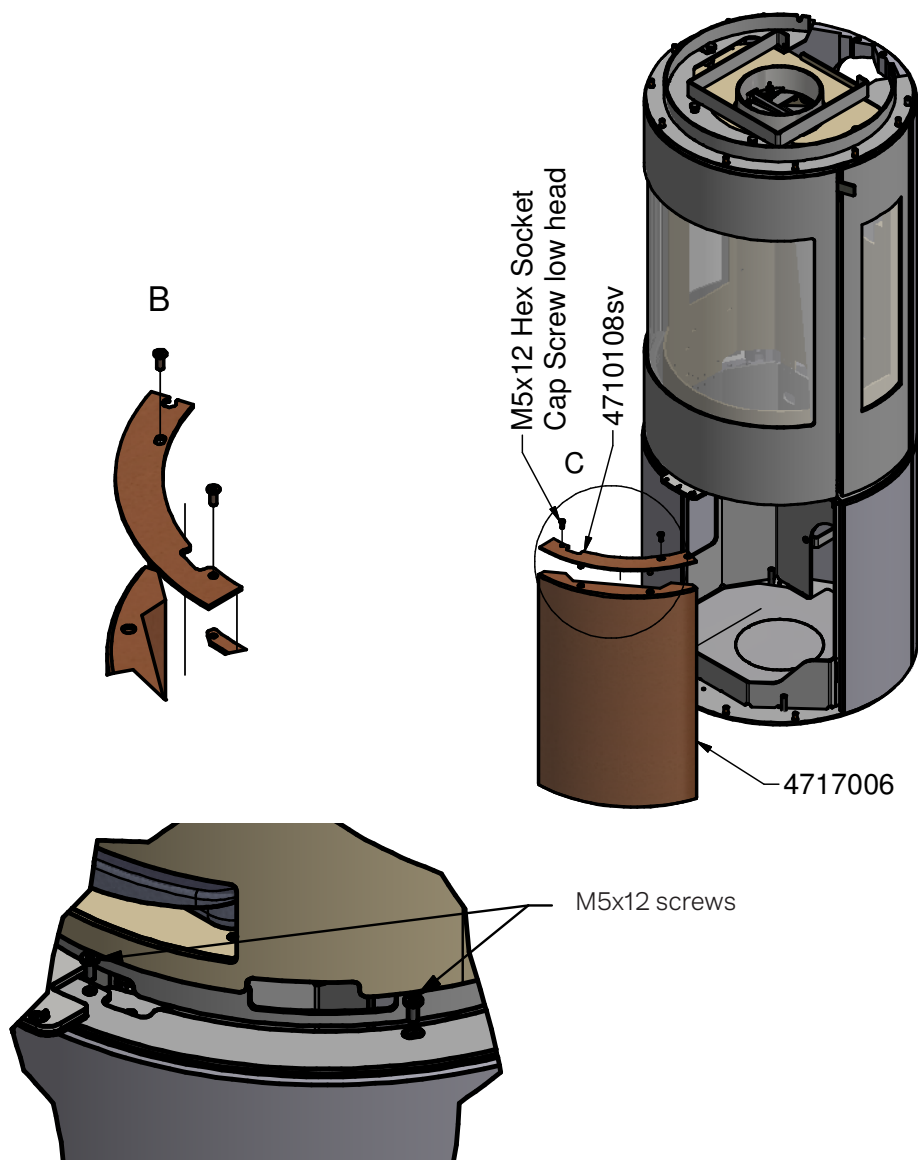
M5x12 screw

Mounting of the stones - Juno 160 L G

STEP 5.

To mount the right front stone in the bottom row.

Place the bracket (4710108sv) on the stone. Place the bracket and stone on the bottom plate, and fix the bracket to the stove with the M5x12 screws.



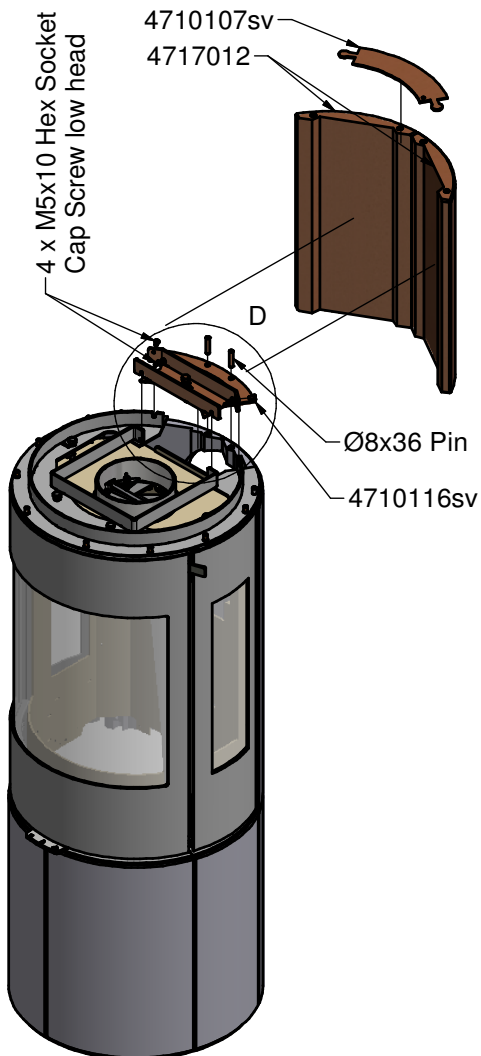
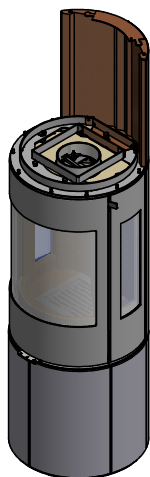
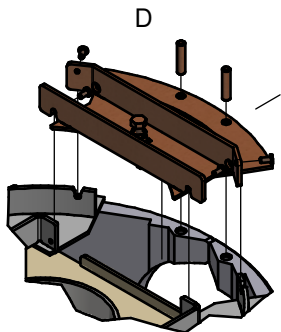
STEP 6.

To mount the back stones in the top row.

Mount the bracket (4710116sv) to the stove with the four M5x10 screws. Place the two Ø8 pins.

Place the two stones on the pins and fix the stone together with the bracket (4710107sv)

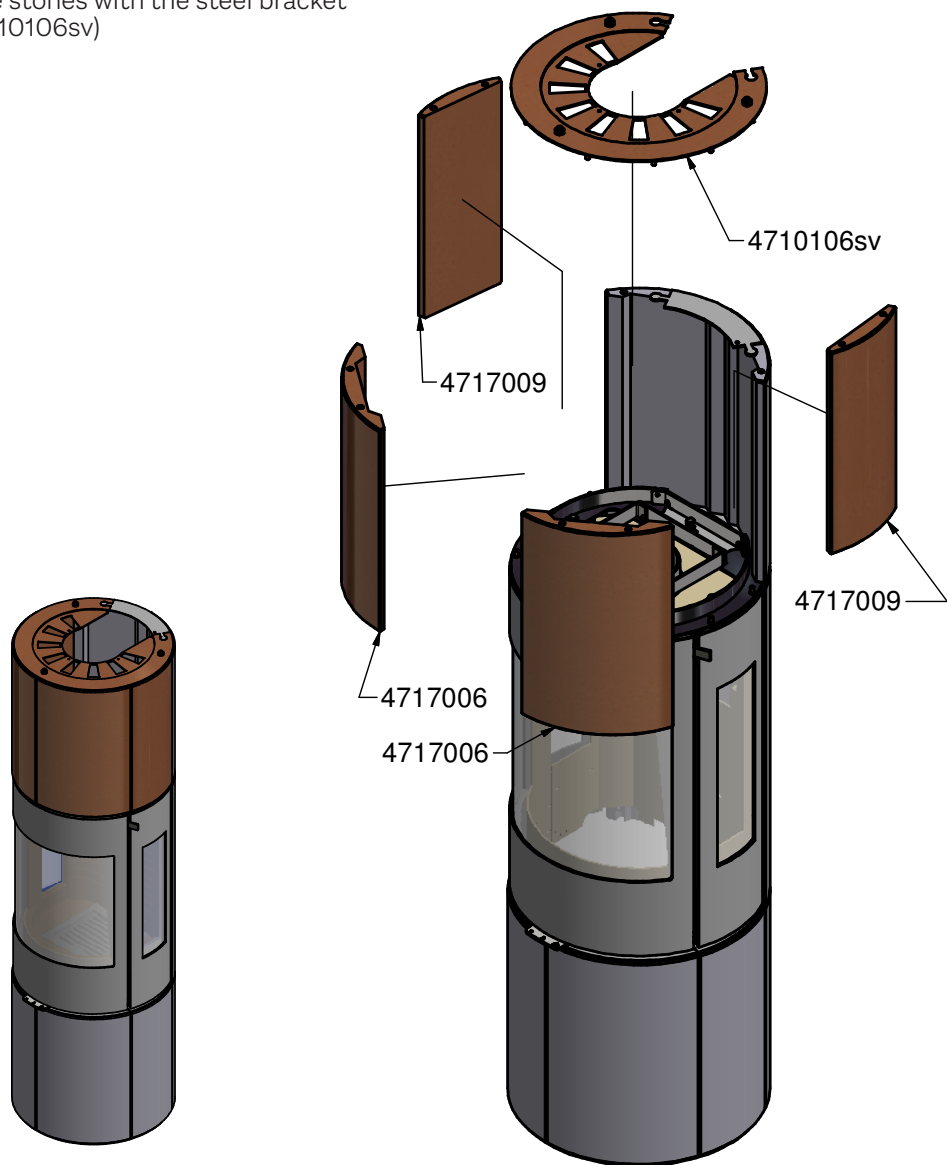
GB



STEP 7.

To mount the side and front stones in the top row.

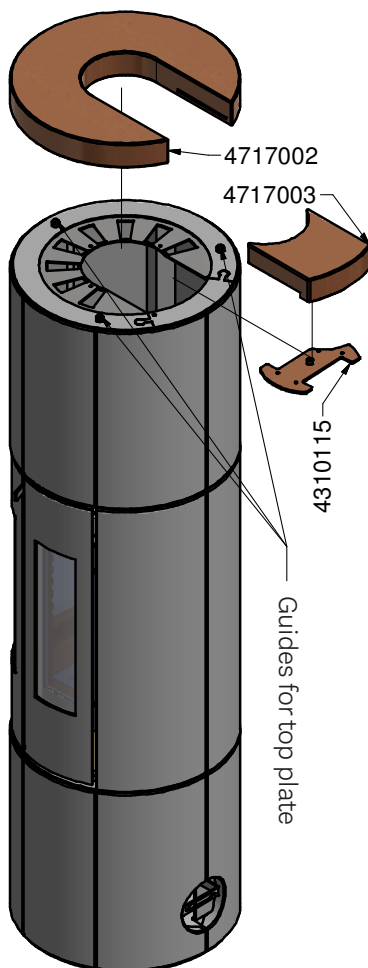
Place the side and front stones on the pins in the steel bracket. Fix the stones with the steel bracket (4710106sv)



STEP 8. TOP OUTLET

To mount the top stone.

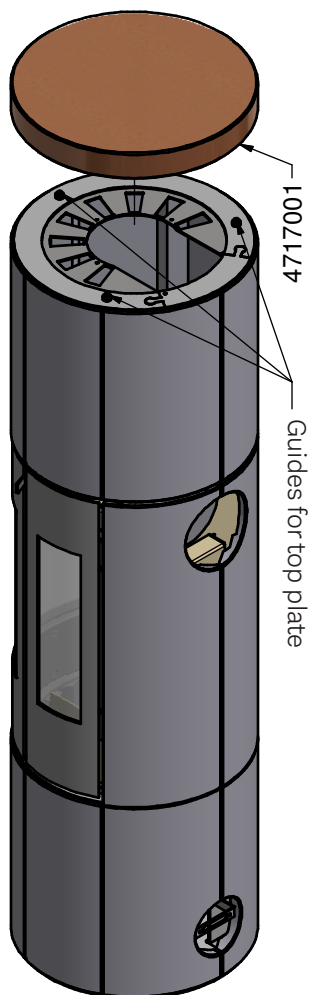
Place the top stone on the three guiding bolts on the steel bracket using the holes on the bottom of the top stone. Place the steel bracket 4310115 in the slit in the top plate, and place the small part of the top plate on the bracket.



STEP 8. BACK OUTLET

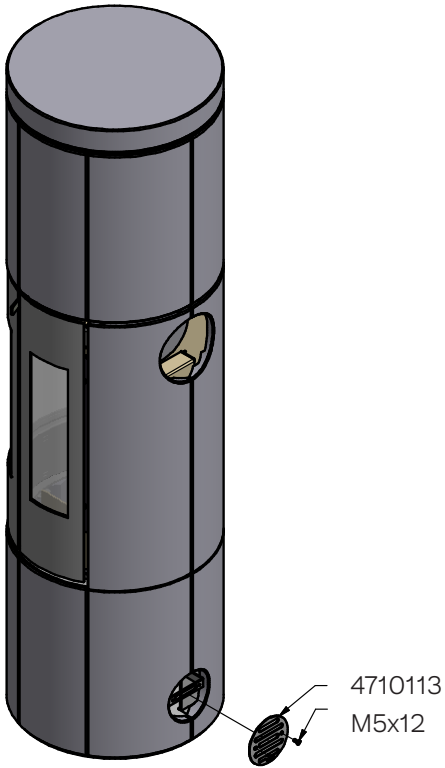
To mount the top stone.

Place the top stone on the three guiding bolts on the steel bracket using the holes on the bottom of the top stone.



Air inlet cover

The air inlet cover is not mounted at delivery, and needs to be mounted. when the stones are mounted, the air inlet cover can be mounted with the two delivered M5x12 screws.



Alternate top plate location

The top plate can be mounted without a gap between the top plate and the wood burning stove, if no convection dampers are mounted on the wood burning stove.

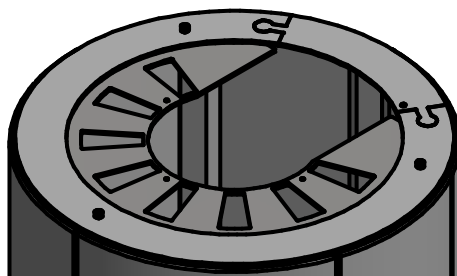
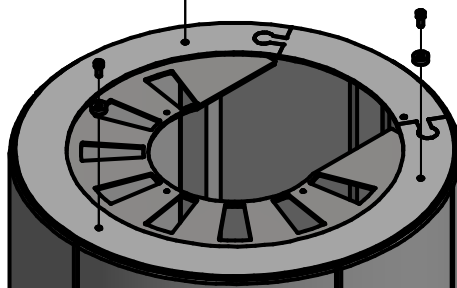
Gap



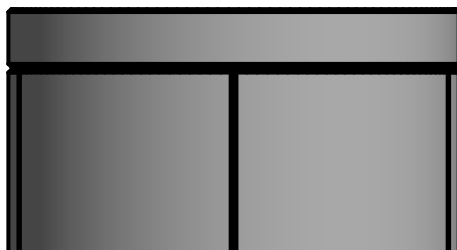
1
2

DO NOT REMOVE ALL THE SCREWS AT ONCE

Remove the top plate and then loosen one of the 3 screws (1) remove the bushing (2), reposition the screw (1) This is done on all three bushings.



The top plate is positioned so that the 3 screws guide the top plate. Now the gap is gone.





TEST Reg.nr. 300



**TEKNOLOGISK
INSTITUT**

Teknologiparken
Kongsvang Allé 29
DK-8000 Aarhus C
Phone +45 72 20 10 00
Fax +45 72 20 10 19
Info@teknologisk.dk

TEKNOLOGISK INSTITUT

Akkrediteret prøvningsorgan, DANAK-akkreditering nr. 300
Notificeret prøvningsorgan med ID-nr. 1235

Prøvningsattest IV

Uddrag af rapport nr. 300-ELAB-2211-EN Rev2, 300-ELAB-2211-NS-CA Rev1, AoP

Juno L dated 15.09.2021 and Assessment Juno L dated 15.09.2021

Emne: Brændeovne m sideruder; Juno 120 L G, Juno 120 L G CA, Juno 120 L G Classic, Juno 120 L G Classic CA, Juno 160 L G, Juno 160 L G CA, Juno 160 L G Classic, Juno 160 L G Classic CA
Brændeovne uden sideruder; Juno 120 L, Juno 120 L CA, Juno 120 L Classic, Juno 120 L Classic CA, Juno 160 L, Juno 160 L CA, Juno 160 L Classic, Juno 160 L Classic CA

Rekvirent: Rais A/S, Industrivej 20, 9900 Frederikshavn
CVR nr.:25195612 P-nr.:1001580195

Procedure:

X	Prøvning efter DS/EN13240/A2:2004
X	Prøvning efter NS3058-1 & -2 (partikelmåling)
X	Emissionsmåling efter CEN/TS 15883 (støv og OGC)

Prøvningsresultater

Akkrediteret prøvning af brændeovn iht. EN 13240 er foretaget med brænde, der påfyres manuelt, og følgende resultater blev opnået:

Nominel ydelse: 5.6 kW
CO-emission: 0.060 % - henført til 13 % O₂
Virkningsgrad: 80 %
Røggastemperatur: 282 °C
Afstande til brandbart: Se vejledningen

Emissioner iht. NS 3058 og/eller CEN/TS 15883:

Partikler efter NS 3058: 1.89 g/kg (tørstof) middelværdi (krav 2015:5 / 2017:4)
Partikler efter NS 3058: 1.93 g/kg (tørstof) maksimalt (krav 2015:10 / 2017:8)
OGC efter CEN/TS 15883: 43 mgC/Nm³ ved 13% O₂ (krav 2015:150 / 2017:120)
Støv efter CEN/TS 15883: 6 mg/Nm³ ved 13% O₂ (krav 2015:40 / 2017:30)

Bemærk venligst, at de oplyste værdier er et uddrag af prøvningsrapporten.
For yderligere oplysninger henvises til prøvningsrapporten, se nummer ovenfor.

Aarhus, den 15. september 2021  Jes Sig Andersen Senior specialist	Skorstensfejerpåtegning
----------------------------------------------------------------------------------------------------------------------------------------------------------------	-------------------------

På baggrund af ovennævnte emissioner attesteres det hermed, at fyringsanlægget opfylder emissionskravene i bilag 1 til Bekendtgørelse nr. 541 af 27/4-2020 vedr. regulering af luftforurening fra fyringsanlæg til fast brændsel under 1 MW.

UK DECLARATION OF PERFORMANCE

CPR 2011 (Retained EU law 305/2011) as amended

No.: 471

1. **Unique identification code of the product-type**
Juno 120 L, Juno 120 L G, Juno 120 L Classic, Juno 120 L G Classic
Juno 120 L CA, Juno 120 L G CA, Juno 120 L CA Classic, Juno 120 L G CA Classic
Juno 160 L, Juno 160 L G, Juno 160 L Classic, Juno 160 L G Classic
Juno 160 L CA, Juno 160 L G CA, Juno 160 L CA Classic, Juno 160 L G CA Classic
2. **Type**
Room heater burning solid fuel without hot water supply
3. **Intended use**
Domestic room heater
4. **Manufacturer**
RAIS A/S
Industrivej 20, Vangen
DK-9900 Frederikshavn,
Denmark
- Telephone +45 98 47 90 33
Telefax +45 98 47 92 91
Webmail kundeservice@rais.dk
Homepage www.rais.com
5. **Authorised representative** n/a
6. **System of assessment AVCP** System 3
7. **Approved Body** Approved Body – Kiwa Ltd No. 0558 and Report Number 61 589

Performed the determination of the product type on the basis of type testing under system 3 and issued test report

8. **Declared performance** Harmonized technical specification: EN 13240:2003/A2:2004

Essential characteristics		Performance	
Fire safety		Juno L	Juno L G
Reaction to fire	A1		
Distance to combustible materials	rear	75 mm	75 mm
	sides	400 mm	500 mm
Minimum distances [mm]	ceiling	450 mm	450 mm
	Front	850 mm	800 mm
For other installation or wall settings see instruction manual	Floor	270 mm	270 mm
	Risk of burning fuel falling out	Pass	
OGC (mg/Nm ³ rel. 13 Vol-% O ₂)	43		
CO-emission of combustion products	0,0602 % /		
	752 mg/Nm ³		
NO _x (mg/Nm ³ rel. 13 Vol-% O ₂)	80		
Dust st (rel. 13 Vol-% O ₂)	6 mg/Nm ³		
Surface temperature	Pass		
Electrical safety	NPD		
Cleanability	Pass		
Maximum operating pressure	- bar		
Flue gas temperature T at nominal heat output	282° C		
Mechanical resistance (to carry a chimney/flue)	NPD		
Thermal output			
Nominal heat output	4,8 kW		
Room heating output	4,8 kW		
Water heating output	- kW		
Energy efficiency η	80 %		
Seasonal Efficiency $\eta_{s,on}$	70 %		

9. The performance of the product identified in points 1 and 2 is in conformity with the declared performance in point 8. This declaration of performance is issued under the sole responsibility of the manufacturer identified in point 4.

Signed for and on behalf of the manufacturer by:

John Engell Nielsen, R&D / Quality Manager

Place FREDERIKSHAVN, DENMARK

Date 16-05-2023

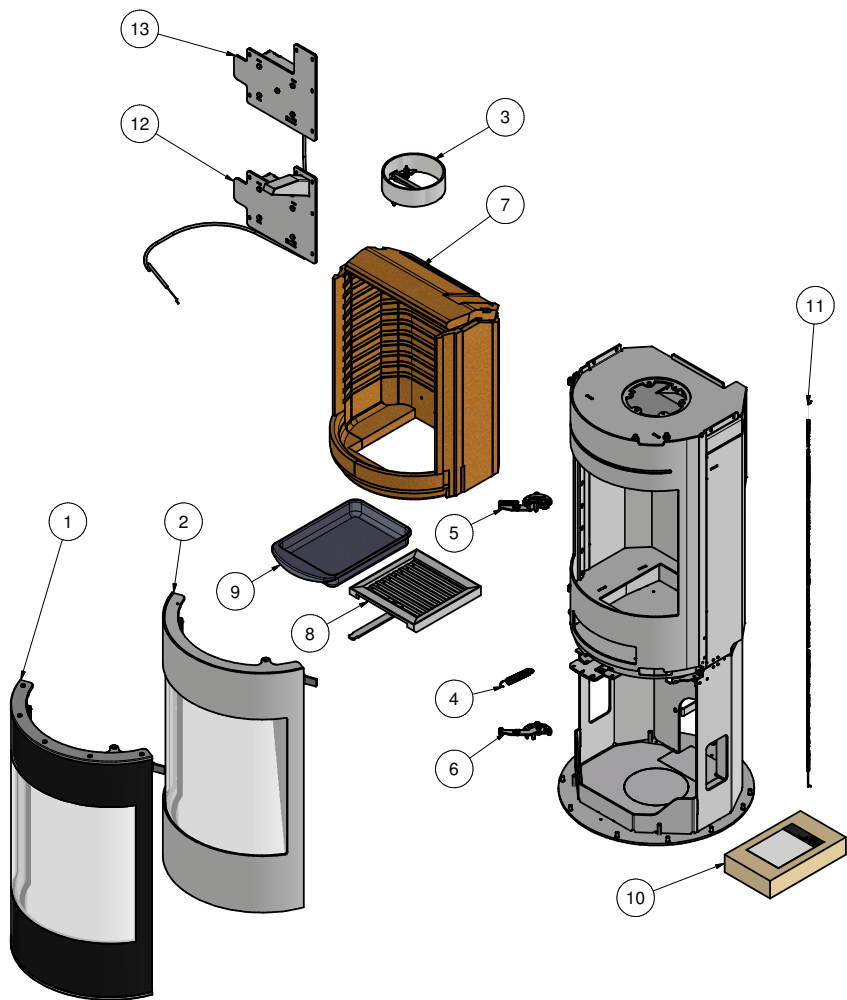

Signature

SPARE PART LIST JUNO L

xx: optional colour code

POS.	Item number	Title
1	1712090	Glass door - Single glass
2	17121XX	Classic door - Single glass
3	61-00	Flue collar 6"
4	7301026	BA 1 spring
5	1711890	Locking mechanism - Top
6	1711891	Locking mechanism - Bottom
7	1712200	Skamol set
8	1313800	Shaking grate
9	1314001	Ash pan
10	1715500-6	Gasket set for doors
11	1710924	Wire for airdamper
12	1710990	Airdamper - CleverAir
13	1711790	Airdamper - Manual

SPARE PART DRAWING JUNO L



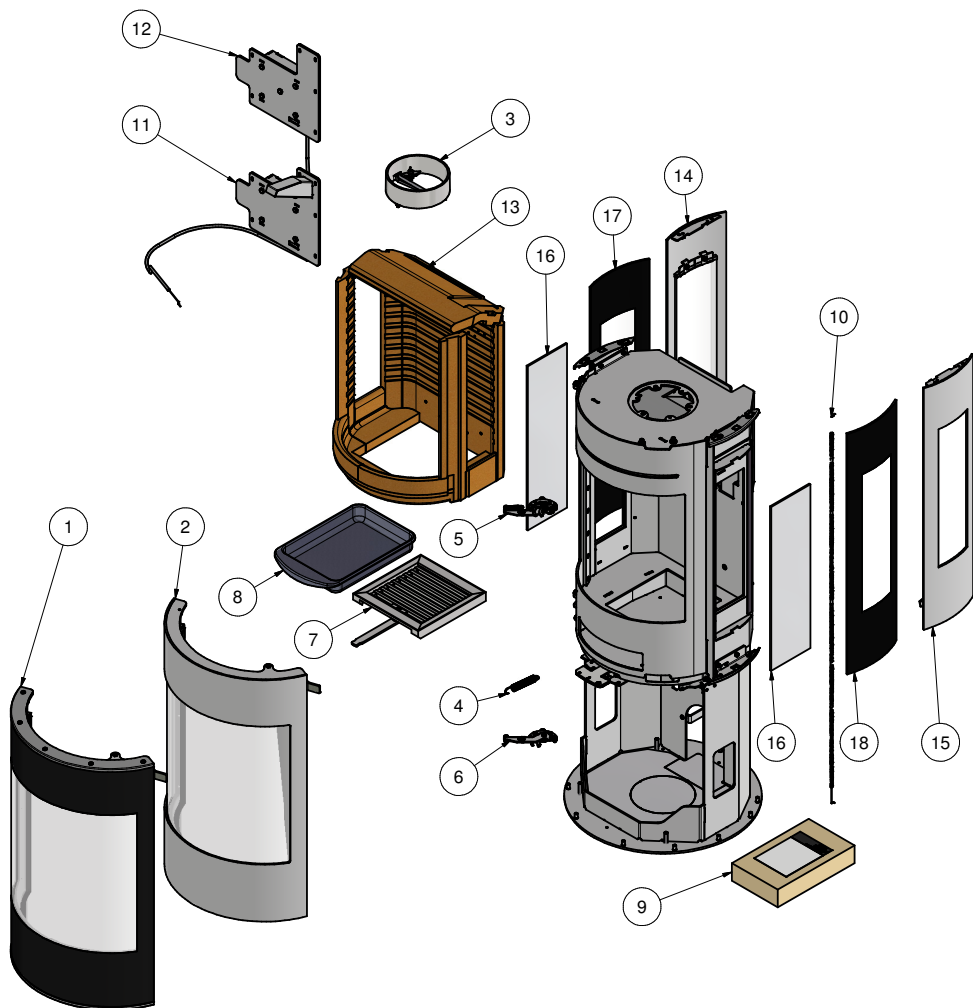
GB

SPARE PART LIST JUNO L G

xx: optional colour code

POS.	Item number	Title
1	1711090	Glass door - Double glass
2	17111XX	Classic door - Double glass
3	61-00	Flue collar 6"
4	7301026	BA 1 spring
5	1711890	Locking mechanism - Top
6	1711891	Locking mechanism - Bottom
7	1313800	Shaking grate
8	1314001	Ash pan
9	1715500-6	Gasket set for doors
10	1710924	Wire for airdamper
11	1710990	Airdamper - CleverAir
12	1711790	Airdamper - Manual
13	1712200-1	Skamol set
14	471270190	Steel side - Left
15	471270290	Steel side - Right
16	1715002	Inner glass
17	1715003	Side Outer glass Left
18	1715004	Side Outer glass Right

SPARE PART DRAWING JUNO L G



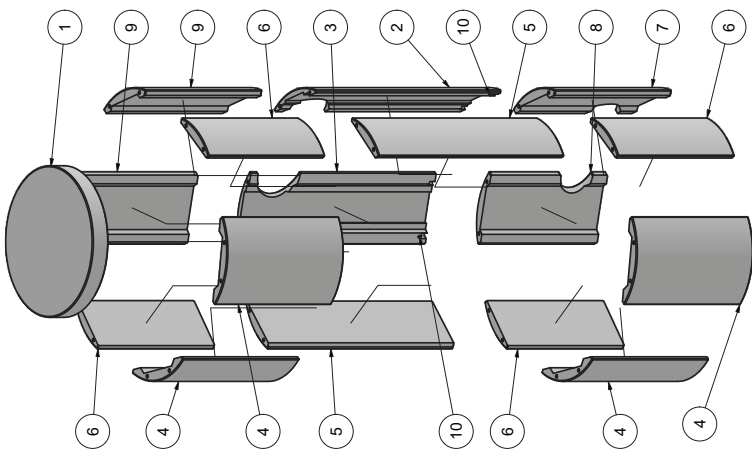
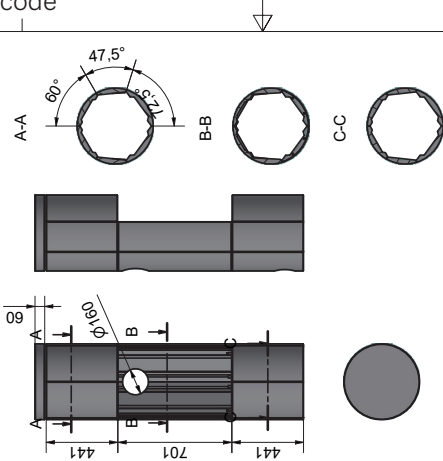
GB


SOAPSTONE SET JUNO 160 L BACK OUTLET

Soapstone set Juno 160 L B/O - 471700001
 Mounting kit Juno 160 L - 4717501XX
 xx: optional colour code

GB

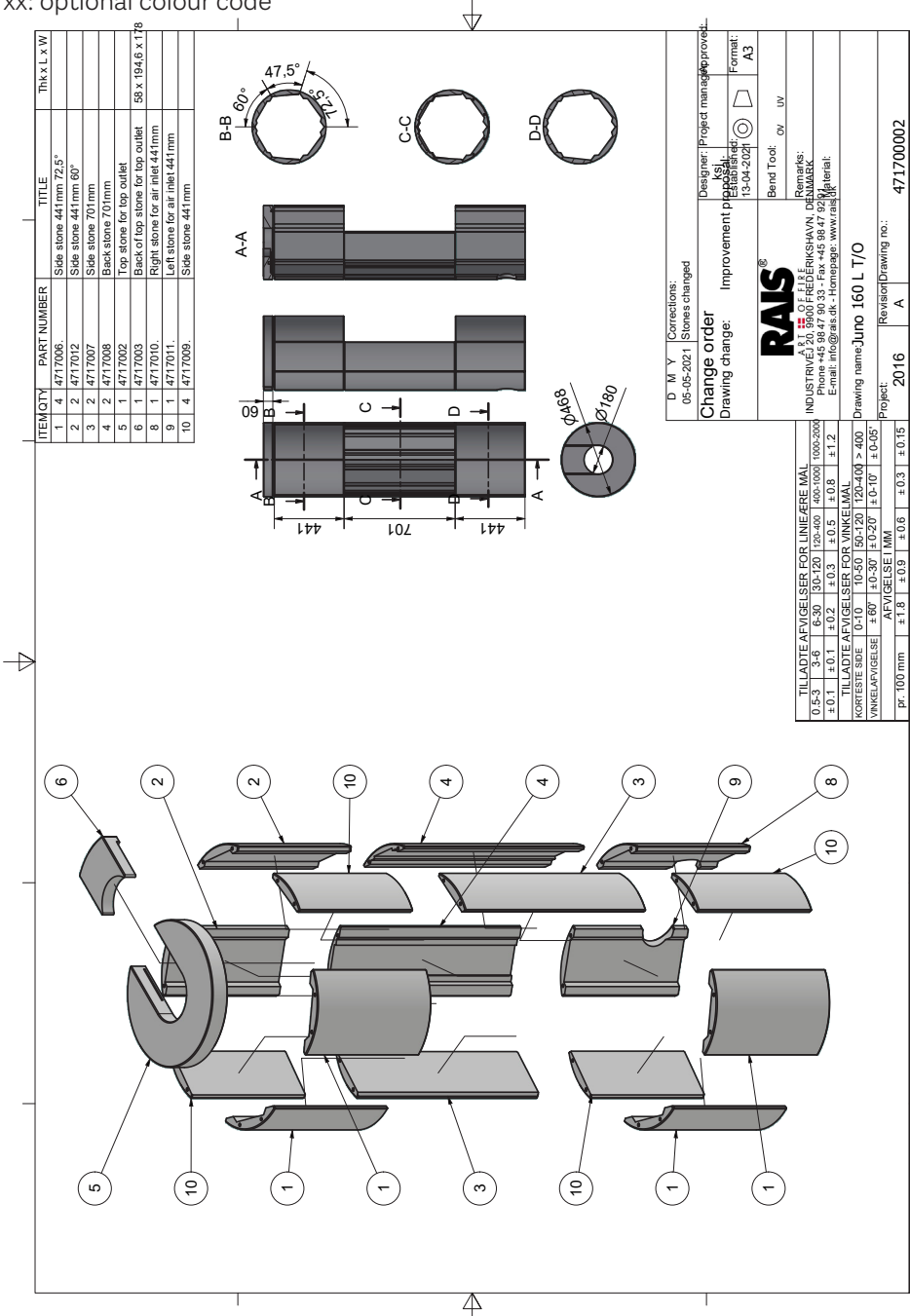
ITEM	QTY	PART NUMBER	TITLE	Thk x L x W
1	1	4717001	Top stone for back outlet	
2	1	4717004	Right stone for back outlet 70 mm	
3	1	4717005	Left stone for back outlet 70 mm	
4	4	4717006	Side stone 441 mm 72.5°	
5	2	4717007	Side stone 701 mm	
6	4	4717009	Side stone 441 mm	
7	1	4717010	Right stone for air inlet 441 mm	
8	1	4717011	Left stone for air inlet 441 mm	
9	2	4717012	Side stone 441 mm 60°	
10	2	BN 1046 1386417 M5BN 1046 1386417	press-in threaded insert M5x5	



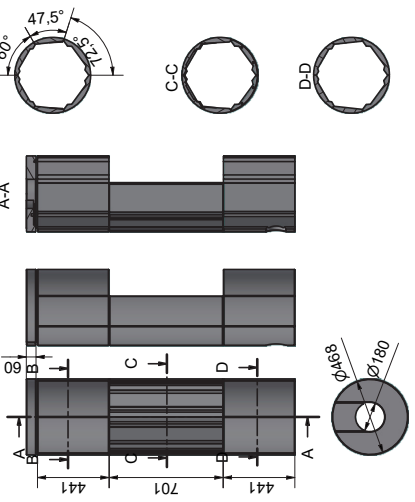
D M Y Corrections: 05-05-2021 Stones changed		Designer: Project manager/provisek
Change order Improvement plan (KSI)		Project number: 13-04-2021
Drawing change:		Format: A3
 RAIS RÅS INDUSTRIVEJ 20 5600 FREDERIKSHAVN, DENMARK Phone +45 98 47 90 33 - Fax +45 98 47 92 89 Email: info@rais.dk - Homepage: www.rais.dk		Bend Tool: 0V UV Remarks: Drawing name: Juno 160 L B/O Project: A Revisor/Drawing no.: 471700001
TILLADTE AFVIGELSE FOR LINJEFÆRDEL 0-5.3 ±0.2 5.3-10 ±0.3 10-20 ±0.5 20-50 ±0.8 50-100 ±1.2 100-200 ±1.8 TILLADTE AFVIGELSE FOR VINKELMÅL 0-10 ±0.1 10-50 ±0.5 50-120 ±0.8 120-400 ±1.2 KORTESTE SÆDE 0-10 ±0.10 10-50 ±0.120 120-400 > 400 ±0.20 VINKELAFVIGELSE ±60° ±0.30 ±0.20 ±0.10* ±0.05* AFVIGELSE I MM ±1.8 ±0.9 ±0.6 ±0.3 ±0.15		
Pr. 100 mm		

SOAPSTONE SET JUNO 160 L TOP OUTLET

Soapstone set Juno 160 L T/O - 471700002
 Mounting kit Juno 160 L - 4717501XX
 xx: optional colour code



ITEM	QTY	PART NUMBER	TITLE	Thk x L x W
1	4	4717006	Side stone 441 mm 72,5°	
2	2	4717012	Side stone 441 mm 60°	
3	2	4717007	Side stone 701 mm	
4	2	4717008	Back stone 701 mm	
5	1	4717002	Top stone for top outlet	
6	1	4717003	Back of top stone for top outlet	58 x 194,6 x 178
8	1	4717010	Right stone for air inlet 441 mm	
9	1	4717011	Left stone for air inlet 441 mm	
10	4	4717009	Side stone 441 mm	



D M Y		Corrections:
05-05-2021		Stones changed

Change order Improvement project (KS)

Drawing change: **RAIS**®
 RAIS
 Industrivej 20, 5600 Fredrikshavn, Denmark
 Phone +45 9847 9033 - Fax +45 9847 9244
 E-mail: info@rais.dk - Homepage: www.rais.dk

Designer: Project manager/provide
 Project manager/provide
 Date: 13-04-2021
 Format: A3
 Bend Tool: 0V UV

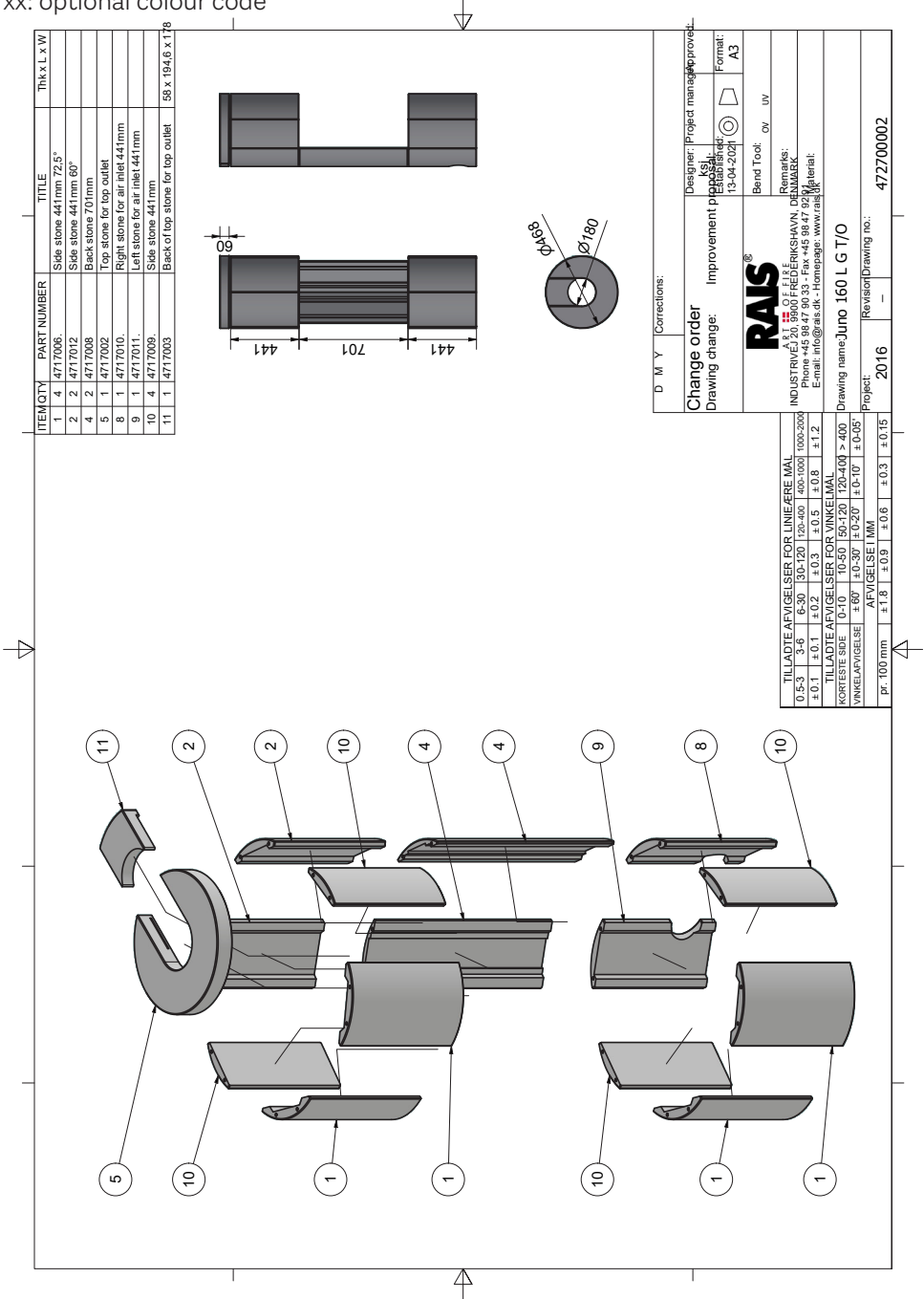
Remarks:
 INDUSTRIJVEJ 20, 5600 FREDRIKSHAVN, DENMARK
 Phone +45 9847 9033 - Fax +45 9847 9244
 E-mail: info@rais.dk - Homepage: www.rais.dk

Drawing name: Juno 160 L T/O	
Project:	Revision/Drawing no.: 471700002
2016	A

TILLADTE AFVIGELSE FOR LINJEFÆRME MAL	
0-53	±0,2
53-100	±0,3
100-200	±0,5
200-300	±0,8
300-400	±1,2
TILLADTE AFVIGELSE FOR VINKELMAL	
KORTESTE SIDE	0-10
	10-50
	50-120
	120-400
	> 400
VINKELAFVIGELSE	
	± 60°
	± 0-30°
	± 0-20°
	± 0-10°
	± 0-05°
AFVIGELSE I MM	
Pr. 100 mm	±1,8
	±0,9
	±0,6
	±0,3
	±0,15

SOAPSTONE SET JUNO 160 L G TOP OUTLET

Soapstone set Juno 160 L G T/O - 472700002
 Mounting kit Juno 160 L G - 4717502XX
 xx: optional colour code



ITEM	QTY	PART NUMBER	TITLE	Thk x L x W
1	4	4717006	Side stone 441 mm 72.5°	
2	2	4717012	Side stone 441 mm 60°	
4	2	4717008	Back stone 701 mm	
5	1	4717002	Top stone for top outlet	
8	1	4717010	Right stone for air inlet 441 mm	
9	1	4717011	Left stone for air inlet 441 mm	
10	4	4717009	Side stone 441 mm	
11	1	4717003	Back of top stone for top outlet	58 x 194,6 x 178

D M Y Corrections: _____

Change order Designer: Project manager/Approver: _____
 Drawing change: Improvement plan (KSI) _____
 Release date: 13-04-2021
 Format: A3

Bend Tool: 0V UV

RAIS
 RÅIS STEN
 INDUSTRIVEJ 20 5600 FREDERIKSHAVN, DENMARK
 Phone +45 98 47 90 33 - Fax +45 98 47 92 00
 Email: info@rais.dk - Homepage: www.rais.dk

Remarks: _____

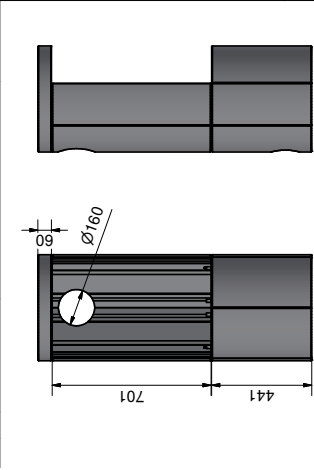
Project: Juno 160 L G T/O
 Drawing name: Juno 160 L G T/O
 Revision: 2016
 Drawing no.: 472700002

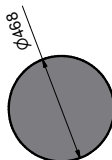
TILLADTE AFVIGELSE FOR LINJEFÆRME MAL	± 0,3	± 0,2	± 0,3	± 0,5	± 0,8	± 1,2
TILLADTE AFVIGELSE FOR VINKEL MAL	± 0,1	± 0,2	± 0,3	± 0,5	± 0,8	± 1,2
KORTESTE SÆDE	0-10	10-50	50-120	120-400	> 400	
VINKELAFVIGELSE	± 60'	± 0-30'	± 0-20'	± 0-10'	± 0-05'	
AFVIGELSE I MM	± 1,8	± 0,9	± 0,6	± 0,3	± 0,15	

SOAPSTONE SET JUNO 120 L BACK OUTLET

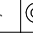

Soapstone set Juno 120 L B/O - 473700001
 Mounting kit Juno 120 L G - 4717503XX
 xx: optional colour code

ITEM	QTY	PART NUMBER	TITLE	Thk x L x W
1	1	4717001	Top stone for back outlet	
2	2	4717007	Side stone 70mm	
3	1	4717011	Left stone for air inlet 44mm	
4	1	4717009	Side stone 44mm	
5	2	4717004	Right stone for back outlet 70mm	
6	1	4717005	Left stone for back outlet 70mm	
7	2	4717006	Side stone 44mm 72.5°	
8	1	4717010	Right stone for air inlet 44mm	
9	2	01104536.7X3.5 B03SN	BN 1046 138x417 press-in threaded insert M5x5	
10	1			
11	2			





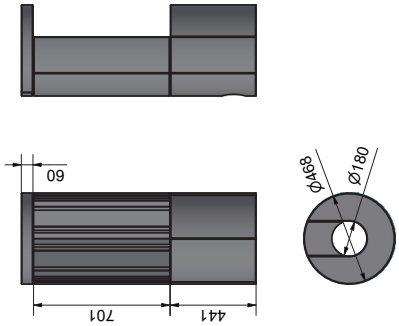
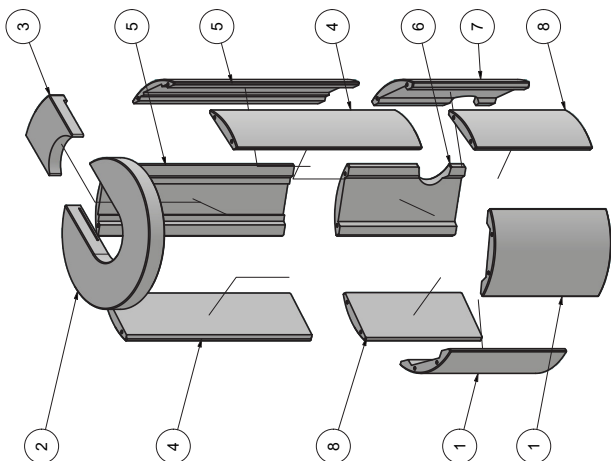
TILLÄGGE	AVVIGELSE	FOR	LINJE	ÅRS	MA
0.5-3	± 0.2	10-120	± 0.15	100-200	
± 0.1	± 0.2	± 0.3	± 0.5	± 0.8	± 1.2
TILLÄGGE	AVVIGELSE	FOR	VINKEL	MA	
KORREKTIE	± 0.10	10-50	50-120	120-400	> 400
VINKELAVVIGELSE	± 0.7°	± 0.30°	± 0.20°	± 0.10°	± 0.05°
Pr. 100 mm	± 1.8	± 0.9	± 0.6	± 0.3	± 0.15

D M Y	Corrections:	Designer: RAIS (S)	Project manager: Approved
Change order	Improvement proposal:	Established:	Format: A3
Drawing change:			Bend Tool: OY UV
			
A/S RAIS INDUSTRIVEJ 20, 5940 FREDERIKSHAVN, DENMARK Phone: +45 98 47 90 33, Fax: +45 98 47 92 91 E-mail: info@rais.dk, Homepage: www.rais.dk			
Drawing name: Juno 120 L B/O			
Project: 473700001			
Revision: Drawing no. 2016			

SOAPSTONE SET JUNO 120 L TOP OUTLET

Soapstone set Juno 120 L T/O - 473700002
 Mounting kit Juno 120 L G - 4717503XX
 xx: optional colour code

ITEM	QTY	PART NUMBER	TITLE	Thk x L x W
1	2	4717006	Side stone 441 mm 72.5°	
2	1	4717002	Top stone for top outlet	
3	1	4717003	Back of top stone for top outlet	59 x 194,6 x 178
4	2	4717007	Side stone 701 mm	
5	2	4717008	Back stone 701 mm	
6	1	4717011	Left stone for air inlet 441 mm	
7	1	4717010	Right stone for air inlet 441 mm	
8	2	4717009	Side stone 441 mm	



D M Y Corrections: _____

Designer: Project manager
 KSJ
 Project manager: _____
 15-04-2024

Change order Improvement project
 Drawing change: _____

Format: A3
 Bend Tool: 0V UV

RAIS
 RÅIS
 INDUSTRISTRÆDE 20, 5600 FREDERIKSHAVN, DENMARK
 Phone +45 9847 9033 - Fax +45 9847 9244
 E-mail: info@rais.dk - Homepage: www.rais.dk

Remarks: _____

Material: _____

Drawing name: JUNO 120 L T/O

Project: _____ Revision/Drawing no.: 473700002

TILLADTE AFVIGELSE FOR LINJEFÆRMAL	± 0,3	± 0,2	± 0,2	± 0,3	± 0,5	± 0,8	± 1,2
TILLADTE AFVIGELSE FOR VINKELMÅL	± 0,1	± 0,2	± 0,3	± 0,5	± 0,8	± 1,2	± 1,2
KORTESTE STRE	0-10	10-50	50-120	120-400	> 400		
VINKELAFVIGELSE	± 60'	± 0-30'	± 0-20'	± 0-10'	± 0-05'		
AFVIGELSE I MM	± 1,8	± 0,9	± 0,6	± 0,3	± 0,15		

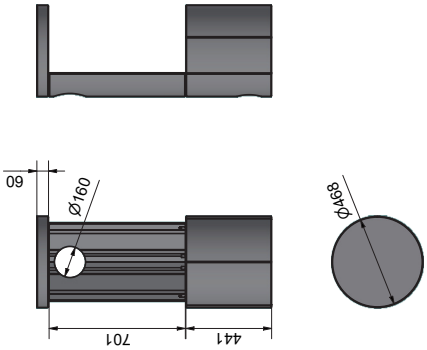
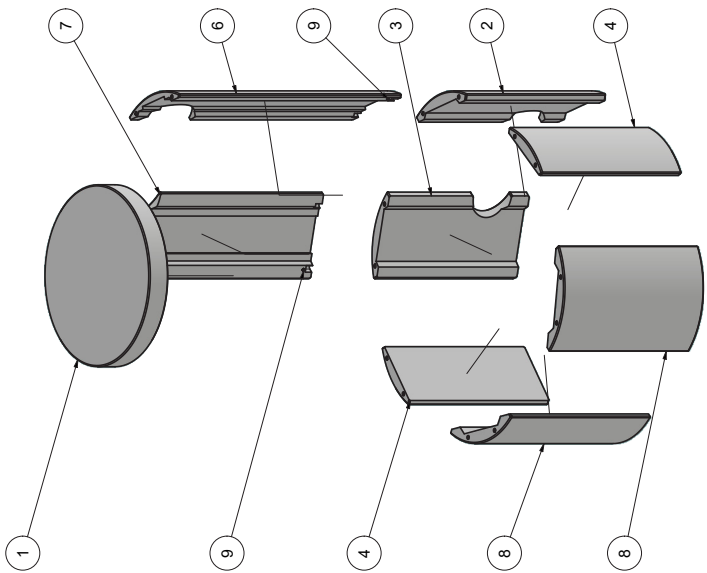
Pr. 100 mm

SOAPSTONE SET JUNO 120 L G BACK OUTLET

Soapstone set Juno 120 L G B/O - 474700001
 Mounting kit Juno 120 L G - 4717504XX
 xx: optional colour code

GB

ITEM QTY	PART NUMBER	TITLE	Thk x L x W
1	4777001	Top stone for back outlet	
2	4777010	Right stone for air inlet 441mm	
3	4777011	Left stone for air inlet 441mm	
4	4777009	Side stone 441mm	
6	4777004	Right stone for back outlet 701mm	
7	4777005	Left stone for back outlet 701mm	
8	4777006	Side stone 441mm 72,5°	
9	0110-M5X6,7 X9,5 B CERN 10461386417	press-in threaded insert M5x5	



D M Y Corrections:

Change order: Designer: Project manager/prov. RAIS (S)kj
 Drawing change: Improvement of detail: RAIS (S)kj
 Format: A3

Bend Tool: 0V UV

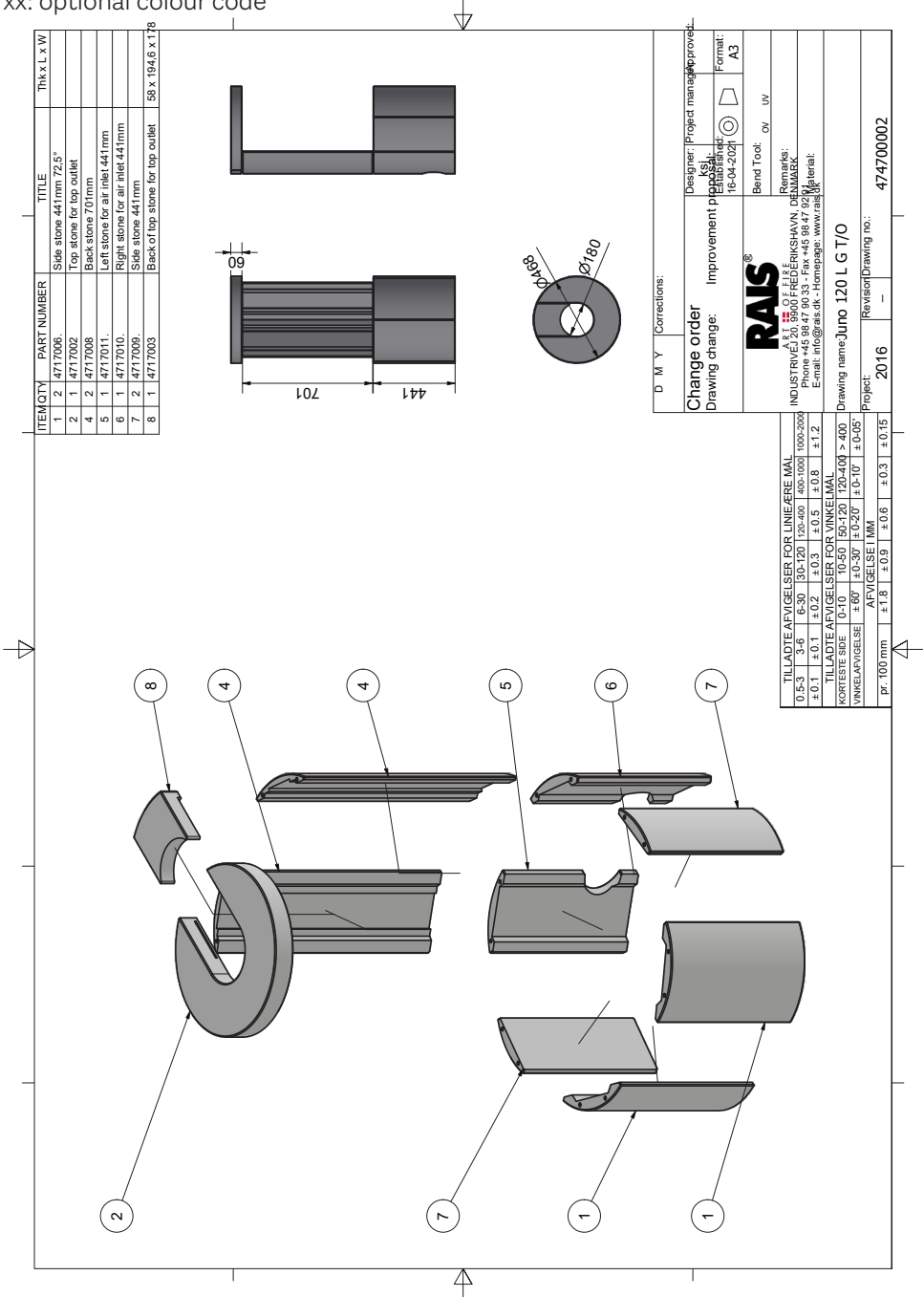
Remarks:
 RAIS
 INDUSTRIVEJ 20 5600 FREDERIKSHAVN, DENMARK
 Phone +45 98 47 90 33 - Fax +45 98 47 92 00
 Email: info@rais.dk - Homepage: www.rais.dk

Project: Drawing name: JUNO 120 L G B/O
 Revisor/Drawing no.: 2016 - 474700001

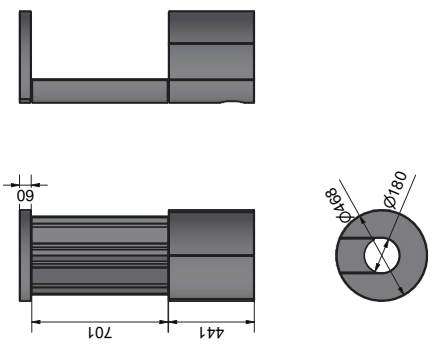
TILLADTE AFVIGELSE FOR LINJEFÆRME MAL	± 0,3	± 0,2	± 0,3	± 0,5	± 0,3	± 0,5	± 0,3	± 0,5
TILLADTE AFVIGELSE FOR VINKEL MAL	± 0,1	± 0,2	± 0,3	± 0,5	± 0,8	± 1,2		
KORTESTE SØDE	0-10	10-50	50-120	120-400	> 400			
VINKELAFVIGELSE	± 60'	± 0-30'	± 0-20'	± 0-10'	± 0-05'			
AFVIGELSE I MM	± 1,8	± 0,9	± 0,6	± 0,3	± 0,15			

SOAPSTONE SET JUNO 120 L G TOP OUTLET

Soapstone set Juno 120 L G T/O - 474700002
 Mounting kit Juno 120 L G - 4717504XX
 xx: optional colour code



ITEM	QTY	PART NUMBER	TITLE	Thk x L x W
1	2	4717006	Side stone 441 mm 72.5°	
2	1	4717002	Top stone for top outlet	
4	2	4717008	Back stone 701mm	
5	1	4717011	Left stone for air inlet 441mm	
6	1	4717010	Right stone for air inlet 441mm	
7	2	4717009	Side stone 441mm	
8	1	4717003	Back of top stone for top outlet	58 x 194,6 x 178



D M Y Corrections:

Change order Improvement project (KS)

Drawing change: Project manager: 16-04-2021

Format: A3

Bend Tool: 0V UV

RAIS®
 RAINBOW STONE
 INDUSTRIVEJ 20, 5600 FREDERIKSHAVN, DENMARK
 Phone: +45 9847 9033 - Fax: +45 8947 9218
 E-mail: info@rais.dk - Homepage: www.rais.dk

Remarks:

Project: Juno 120 L G T/O

Revision/Drawing no.: 2016 - 474700002

GB



RAIS A/S
Industrivej 20
DK-9900 Frederikshavn
Denmark
www.rais.com



ATTIKA FEUER AG
Brunnmatt 16
CH-6330 Cham
Switzerland
www.attika.ch

Rev	Dato	Tekst
4	11-07-2022	Tegning 4718606 rettet.
5	25-10-2022	Reservedelstegninger tilføjet.
6	12-12-2022	Nye CE labels med UKCA tilføjet
7	01-05-2023	Test institute changed to KIWA