

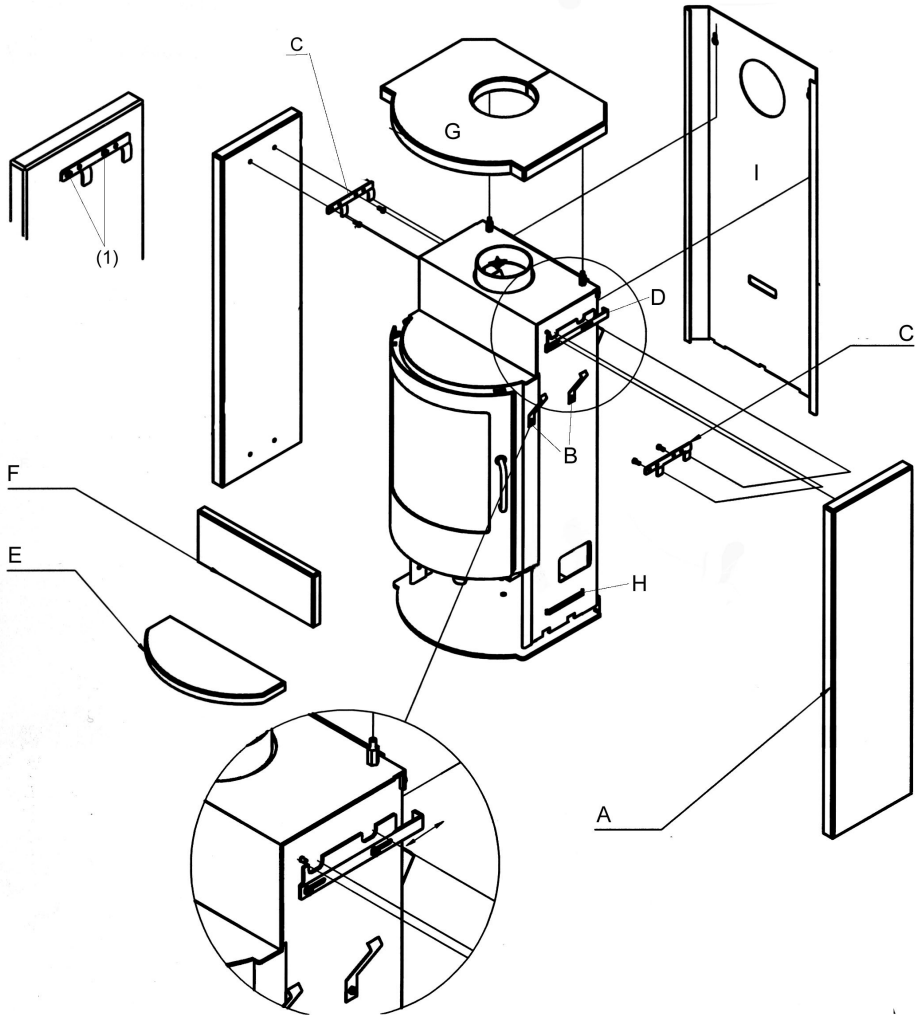


# BANDO

Installationsanleitung  
Notice d'installation  
Installation manual

**RAIS**<sup>®</sup>

**attika**<sup>®</sup>  
FEUERKULTUR



## Legend

- A Side cover
- B Tensioner
- C Bracket (L = Left | R = Right)
- D Bolt
- E Bottom heat compartment plate
- F Heat compartment panel rear wall
- G Top plate
- H Stop
- I Rear panel

## Installation

1. Unhook rear panel «I».
2. Place the stove in its definitive location. The stove cannot be moved after the side panel has been fitted because there is a risk of breakage if pressure is exerted on the side panel.
3. Screw brackets «C» through the front holes (1) to the soapstone/natural stone side panel «A». Caution: Do not overtighten.
4. Fit side panelling «A». Place the side panels on the bottom of the base and push against the stop «H». Then press the tensioner «B» at the top.
5. Slide bolt «D» forward.
6. Re-hang rear panel «I».
7. Insert heat compartment plates «E» and «F» and place top plate «G».

# Type plate



Produced at:

**RAIS A/S, Industrivej 20, 9900 Frederikshavn, Danmark**

EN 13240:2001+A2:2004  
EC.NO: 404

**15**  
**BANDO 5**

Raumheizer für feste Brennstoffe  
Appliance fired by wood  
Poêle pour combustibles solides

AFSTAND TIL BRÆNDBART, BAGVÆG  
ABSTAND ZU BRENNBAREN BAUTEILEN, HINTEN  
DISTANCE TO COMBUSTIBLE BACK WALL  
DIST. ENTRE COMPOSANTS COMBUSTIBLES, ARRIÈRE

DK:100 mm/SE BRUGERVEJLEDNING  
DE:100 mm/SIEHE BEDIENUNGSANLEITUNG  
UK:100 mm/SEE USER MANUAL  
FR:100 mm/CONSULTEZ LE GUIDE DE L'UTILISATEUR

AFSTAND TIL BRÆNDBART, SIDEVÆG  
ABSTAND ZU BRENNBAREN BAUTEILEN, SEITE  
DISTANCE TO COMBUSTIBLE SIDE WALL  
DISTANCE ENTRE COMPOSANTS COMBUSTIBLES, COTÉ

DK:300 mm/SE BRUGERVEJLEDNING  
DE:300 mm/SIEHE BEDIENUNGSANLEITUNG  
UK:300 mm/SEE USER MANUAL  
FR:300 mm/CONSULTEZ LE GUIDE DE L'UTILISATEUR

AFSTAND TIL BRÆNDBART, MØBLERING  
ABSTAND VORNE ZU BRENNBAREN MÖBELN  
DISTANCE TO FURNITURE AT THE FRONT  
DISTANCE ENTRE COMPOSANTS COMBUSTIBLES, DEVANT

DK:900 mm/SE BRUGERVEJLEDNING  
DE:900 mm/SIEHE BEDIENUNGSANLEITUNG  
UK:900 mm/SEE USER MANUAL  
FR:900 mm/CONSULTEZ LE GUIDE DE L'UTILISATEUR

CO EMISSION (REL. 13% O<sub>2</sub>)  
CO EMISSION IN DEN VERBRENNUNGSPRODUKTEN (BEI 13%O<sub>2</sub>)  
EMISSION OF CO IN COMBUSTION PRODUCTS (AT 13%O<sub>2</sub>)  
EMISSION CO DANS LES PRODUITS COMBUSTIBLES (À 13%O<sub>2</sub>)

DK: 0,093%  
DE: 0,093% / 1166 mg/nm<sup>3</sup>  
UK: 0,093%  
FR: 0,093%

STØV / STAUB /  
DUST / POUSSIÈRES:

DK: 18 mg/Nm<sup>3</sup> / DE: 18 mg/Nm<sup>3</sup>  
UK: 18 mg/Nm<sup>3</sup> / FR: 18 mg/Nm<sup>3</sup>

RØGGASTEMPERATUR / ABGASTEMPERATUR /  
FLUE GAS TEMPERATURE / TEMPÉRATURE DES GAZ DE FUMÉE:

DK: 263°C / DE: 263°C  
UK: 263°C / FR: 263°C

NOMINEL EFFEKT / HEIZLEISTUNG /  
THERMAL OUTPUT / PUISSANCE CALORIFIQUE:

DK: 5,5 kW / DE: 5,5 kW  
UK: 5,5 kW / FR: 5,5 kW

VIRKNINGSGRAD / ENERGIEEFFIZIENZ /  
ENERGY EFFICIENCY / EFFICACITÉ ÉNERGÉTIQUE:

DK: 79% / DE: 79%  
UK: 79% / FR: 79%

DK: Brændsel (Brug kun anbefalede brændsler) Følg instrukserne i brugermanualen.  
Anordningen er egnet til røggasafledning og intervalfyring.

DK: BRÆNDE

DE: Hinweis: Lesen und befolgen Sie die Bedienungsanleitung.  
Zeitbrandfeuerstätte. Nur empfohlene Brennstoffe einsetzen.

DE: HOLZ

UK: Fuel types (only recommended) Follow the installation and  
operating instruction manual. Intermittent operation.

UK: WOOD

F: Remarque: Veuillez lire et observer les instructions du mode d'emploi.  
Foyer à durée de combustion limitée, homologué pour cheminée à  
connexions multiples. Utiliser seulement les combustibles recommandés.

FR: BOIS


Hergestellt für / Produced for:

ATTIKA FEUER AG, Brunnmatt 16, CH-6330 Cham / RAIS A/S, Industrivej 20, DK-9900 Frederikshavn

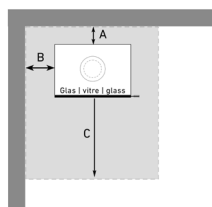
**15a B-VG**

VKF-NR:  
8606  
Typ FC<sub>xx</sub>FC<sub>xx</sub>

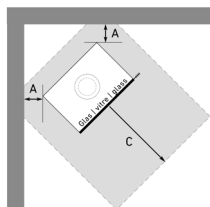
# Technical specifications

Performance	
Energy efficiency class	A 
Nominal heat output	5.5 kW
Thermal output range min./max.	3 – 11 kW
Wood fuel requirement	≈1.9 kg/h
Room heating capacity max.	250 m <sup>3</sup>
Combustion air requirement	18 m <sup>3</sup> /h
Efficiency	79 %
Flue gas temperature	263 °C
Dust	18 mg/Nm <sup>3</sup>
CO (13 % O <sub>2</sub> )	1166 mg/Nm <sup>3</sup>
OGC (13 % O <sub>2</sub> )	86 mg/Nm <sup>3</sup>
NOx (13 % O <sub>2</sub> )	99 mg/Nm <sup>3</sup>
Certifications	
Eco Design	✓
EN 13240	300-ELAB-1780
Safety distances to flammable materials	
A - To the rear	100 mm
B - To the side wall	300 mm
C - To the front	900 mm

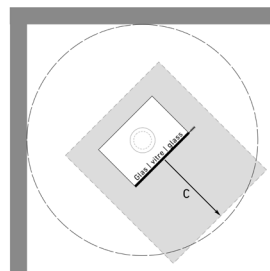
Right-angled installation 90°



Corner installation 45°



Revolving stove 360°



Please observe the national/regional regulations for floor protection.

Subject to alteration at any time.



**RAIS**<sup>®</sup>

RAIS A/S  
Industrivej 20  
DK-9900 Frederikshavn  
Denmark  
[www.rais.com](http://www.rais.com)

**attika**<sup>®</sup>  
FEUERKULTUR

ATTIKA FEUER AG  
Brunnmatt 16  
CH-6330 Cham  
Switzerland  
[www.attika.ch](http://www.attika.ch)