



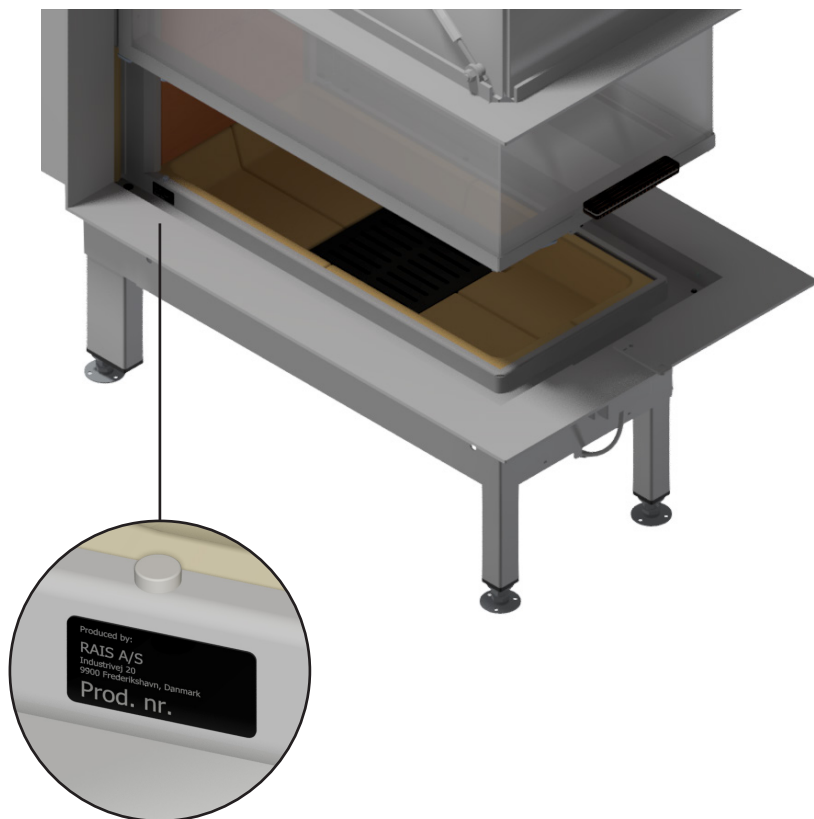
VISIO UNIQ 3:1

INSTALLATION GUIDE (UK)

PRODUCTION NUMBER

Production number

The production number is found in the bottom left corner of the fireplace insert. See drawing. It is also found at the front of the user manual.



EN

Revision: 1
Date: 25-01-2024

We reserve the right to make printing errors.

INSTALLATION GUIDE

INSTALLATION GUIDE	4
General information	4
Chimney	5
TECHNICAL DATA	6
Specificatios	6
Dimensional skteches	7
Information plate	8
INSTALLATION	9
Packaging at delivery	9
Recycling of packaging	9
Transport security	10
Air concentrator plate	11
CHOICE OF MATERIAL FOR INSTALLATION	12
INSTALLATION DIMENSIONS INSULATED FLUE	13
Installation dimensions	13
Set-up insulated flue	14
INSTALLATION DIMENSIONS UN-INSULATED FLUE	16
Installation dimensions	16
Set-up un-insulated flue	17
HEAT DISTRIBUTOR	19
CONVERT TO SELF-CLOSING DOOR <u>BEFORE</u> BUILDING IN THE INSERT	20
CONVERT TO SELF-CLOSING DOOR <u>AFTER</u> BUILDING IN THE INSERT	21
EXTERNAL AIR CONNECTION, AIRSYSTEM	22
DECLARATION OF PERFORMANCE	23
TEST CERTIFICATE	24
SPARE PARTS	26

INSTALLATION GUIDE

Thank you for choosing your new RAIS or ATTIKA product! This installation instructions manual will ensure that your fireplace insert is installed correctly and that it will provide you with comfort and pleasure for many years to come.

GENERAL INFORMATION

It is important to correctly install the fireplace insert out of consideration for both the environment and personal safety.

The installation must comply with all local rules and regulations, including those that refer to national and European standards. A certified chimney sweeper should be contacted before set-up.

No unauthorised alterations may be made to the fireplace insert.

GENERAL INSTALLATION REQUIREMENTS

Before the fireplace insert may be put to use, the set-up must be reported to your local chimney sweeper.

There must be a plentiful supply of fresh air into the room where the insert is placed to ensure good combustion, possibly through an AirSystem connection. Be aware that any mechanical air extraction, for example a cooker hood, can reduce the supply of air. Any air vent must be positioned in a way that ensures the supply of air cannot be blocked.

The air consumption of the fireplace insert is 37,5 m³/h.

The floor structure must be able to support the weight of the fireplace insert and a chimney, if required. If the existing floor structure does not meet this requirement, suitable measures must be taken (e.g. installation of a load distribution plate). If in doubt, contact a building expert.

NOTE!

RAIS/ATTIKA recommends having the insert installed by an authorised technician. Please ask your dealer for further information.



National and local regulations must be complied with, including the size of the non-flammable plate that must cover the flammable floor in front of the fireplace insert to protect the floor from falling embers.

The fireplace insert must be positioned at a safe distance from flammable material. Due to risk of fire, flammable items (e.g. furniture) may not be positioned closer to the insert than specified in the sections on placement. When deciding where to install your RAIS/ATTIKA fireplace insert, you should consider being able to heat other rooms in your home to get the most out of your new fireplace insert.

After receiving your fireplace insert, please check it for any defects.

CHIMNEY

As a minimum, the chimney must be constructed of T400-N1-D-50050-G100 flue pipe, and be tall enough that the draft conditions are in order, i.e. -12 pascal to -18 pascal. If the recommended chimney draught cannot be achieved, problems of smoke puffing from the door may arise when heating. We recommend adapting the chimney to the flue pipe collar. The collar is 200 mm in diameter.

If the draught is too strong, it is advisable to equip the chimney with a regulating damper. If a regulating damper is fitted, you must ensure that there is a free flow-through area of at least 20 cm² when the regulating damper is closed.

Remember: there must be unobstructed access to the access door on the chimney.

The length of the chimney, calculated from the top of the fireplace insert should not be less than 3 metres and must be at least 80 cm above the roof ridge. If the chimney is placed on the side of the house, the top of the chimney must never be lower than the roof ridge or the roof's highest point. Note that there are often national and local regulations relating to houses with thatched roofs.

The fireplace insert is suitable for being connected to a shared flue, but we recommend that the feed-ins are positioned to maintain a clearance-level difference of at least 250 mm between them.

TECHNICAL DATA

SPECIFICATIONS

Danish Technological Institute ref.: 300-ELAB-2646-EN

	VISIO UNIQ 3:1
Nominal output (kW)	11,3
Heating area (m ²)	180
Fireplace insert W x D x H (mm)	631 X 1062 X 1637
Combustion chamber W x D x H (mm)	237 X 638 X 234**
Min. flue draught (pascal)	-12
Weight (kg) min., depending on the model	318 kg
Efficiency (%)	76
CO emission attributed to 13% O ₂ (%)	0,0930 / 1162 mg/Nm ³
NOx emission attributed to 13% O ₂ (mg/Nm ³)	76
OGC emission attributed to 13% O ₂ (mg/Nm ³)	74
Particle emission in accordance with NS3058/3059 (g/kg)	6,57
Dust measurement in accordance with DIN + 13% O ₂ (mg/Nm ³)	36
Flue gas flow (g/s)	12,3
Flue gas temperature (°C)	262
Intended flue gas temperature (°C) at flue collar	314
Recommended wood volume (kg) for stoking the fire (Dispersed over three pieces of firewood)	3,0
Intermittent operation	Stoking should be done within 52 minutes

The fireplace insert was tested and approved by:

DTI

Danish Technological Institute

Teknologiparken Kongsvang Allé 29

8000 Aarhus C

Denmark

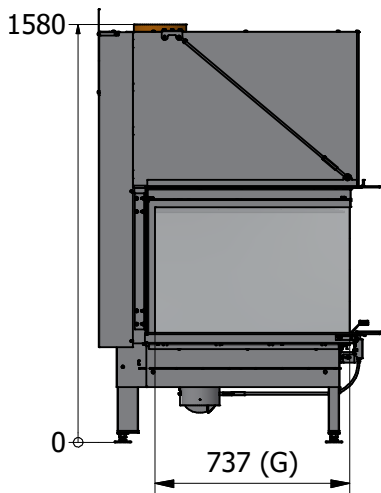
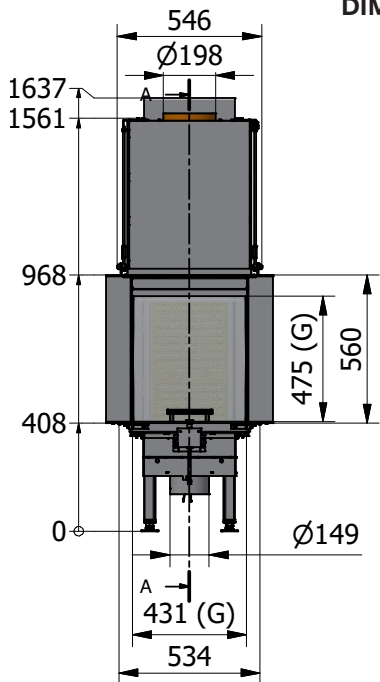
www.dti.dk

Tel.: +45 7220 2000, Fax: +45 7220 1019

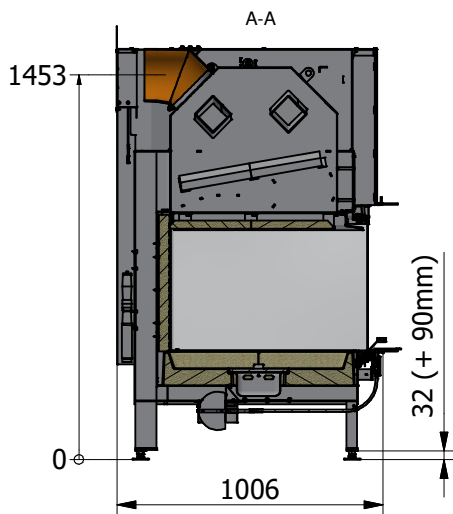
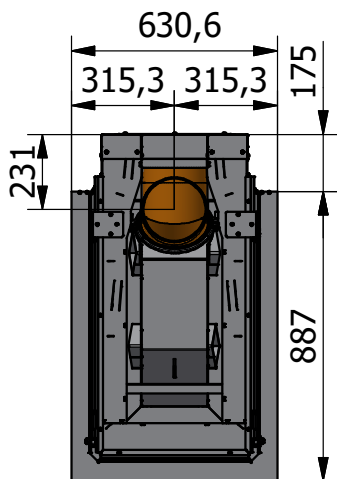
*Not verified by test.

**Max. load

DIMENSIONAL SKTECHES



The top section of the flue collar can be moved around in a radius of 149 mm around the centre of the flue outlet.



All dimensions are in mm.

* AirSystem

INFORMATION PLATE

INFORMATION PLATE

All RAIS/ATTIKA fireplace inserts have a rating plate specifying the distance from the fireplace insert to flammable materials, efficiency, etc. The rating plate is lying unattached in the fireplace insert upon delivery.

23
EN 13240:2001+A1:2004,
EC.NO: 14
Notified Body: 1235



Produced at: RAIS A/S, Industrivej 20, 9900 Frederikshavn, Denmark

Visio Uniq 3:1

AFSTAND TIL BRÆNDBART, BAGVÆG
ABSTAND ZU BRENNBAREN BAUTEILEN, HINTEN
DISTANCE TO COMBUSTIBLE BACK WALL
DIST. ENTRE COMPOSANTS COMBUSTIBLES, ARRIÈRE

AFSTAND TIL BRÆNDBART, SIDEVÆG
ABSTAND ZU BRENNBAREN BAUTEILEN, SEITE
DISTANCE TO COMBUSTIBLE SIDE WALL
DISTANCE ENTRE COMPOSANTS COMBUSTIBLES, CÔTÉ

AFSTAND TIL BRÆNDBART, MØBLERING
ABSTAND VORNE ZU BRENNBAREN MÖBELN
DISTANCE TO FURNITURE AT THE FRONT
DISTANCE ENTRE COMPOSANTS COMBUSTIBLES, DEVANT

CO EMISSION (REL. 13% O₂)
CO EMISSION IN DEN VERBRENNINGSPRODUKTEN (BEI 13%O₂)
EMISSION OF CO IN COMBUSTION PRODUCTS (AT 13%O₂)
EMISSION CO DANS LES PRODUITS COMBUSTIBLES (À 13%O₂)

STØV / STAUB / DUST / POUSSIÈRES:
RØGGASTEMPERATUR / ABGASTEMPERATUR / FLUE GAS TEMPERATURE /
TEMPÉRATURE DES GAZ DE FUMÉE:

NOMINEL EFFEKT / HEIZLEISTUNG / THERMAL OUTPUT / PUISSANCE
CALORIFIQUE:

DK: Brug kun anbefalede brændsler. Følg instrukserne i brugermanualen.
Anordningen er egnet til røggassamledning og intervalfyring.

DE: Lesen und befolgen Sie die Bedienungsanleitung.
Zeitbrandfeuerstätte. Nur empfohlene Brennstoffe einsetzen.

UK: Fuel types (only recommended). Follow the installation and
operating instruction manual. Intermittent operation.

FR: Veuillez lire et observer les instructions du mode d'emploi.
Foyer à durée de combustion limitée, homologué pour cheminée à connexions
multiples. Utiliser seulement les combustibles recommandés.

DK: 0 mm SE BRUGERVEJLEDNING
DE: 0 mm SIEHE BEDIENUNGSANLEITUNG
UK: 0 mm SEE USER MANUAL
FR: 0 mm CONSULTEZ LE GUIDE DE L'UTILISATEUR

DK: 600 mm SE BRUGERVEJLEDNING
DE: 600 mm SIEHE BEDIENUNGSANLEITUNG
UK: 600 mm SEE USER MANUAL
FR: 600 mm CONSULTEZ LE GUIDE DE L'UTILISATEUR

DK: 800 mm SE BRUGERVEJLEDNING
DE: 800 mm SIEHE BEDIENUNGSANLEITUNG
UK: 800 mm SEE USER MANUAL
FR: 800 mm CONSULTEZ LE GUIDE DE L'UTILISATEUR

≤ 0,12 % / ≤ 1500 mg/Nm³

≤ 40 mg/Nm³

262 °C

11,3 kW

DK: BRÆNDE

DE: HOLZ

UK: WOOD

FR: BOIS

(Not to be used in a shared flue in UK)

Geeignet für den Anschluss an einen gemeinsamen Schornstein, sofern beide
Geräte den gleichen Besitzer haben.
Suitable for connection to a shared flue, on the condition that both devices have
the same owner.

Raumheizer für feste Brennstoffe
Appliance fired by wood
Poêle pour combustibles solides

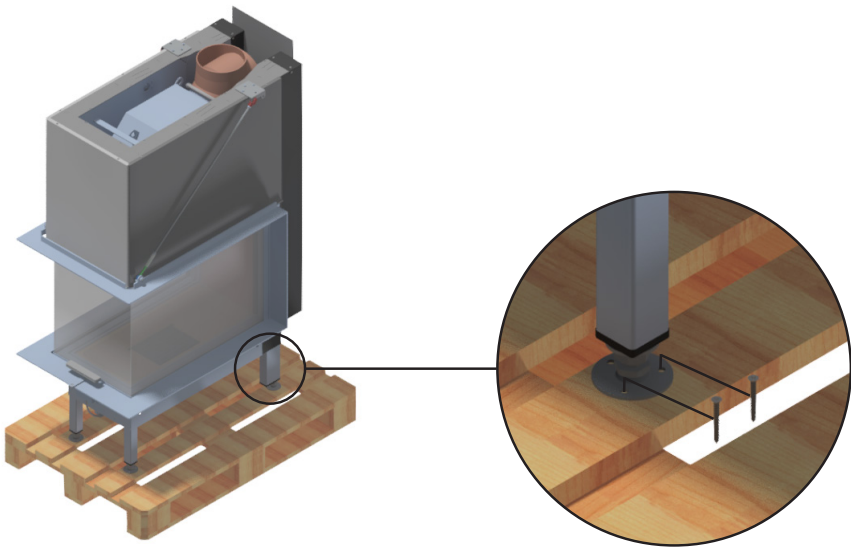
Produced for: ATTIKA FEUER AG, Brunnmatt 16, CH-6330 Cham / RAIS A/S, Industrivej 20, DK-9900 Frederikshavn

INSTALLATION

The following section explains how to install the fireplace insert and includes information about packaging, placement distances, etc.

PACKAGING AT DELIVERY

Upon delivery, the fireplace insert is secured to a transport pallet using four transport safety fittings. The safety fittings are attached with screws which must be unscrewed. The safety fittings can then be removed.



RECYCLING OF PACKAGING

The fireplace insert is delivered in recyclable packaging. This packaging must be disposed of in accordance with national regulations relating to the disposal of waste.

NB: DISPOSE OF THE FIREPLACE INSERT WHEN IT IS WORN OUT.

The glass is not recyclable. The glass must be disposed of along with any residual ceramic or porcelain waste. Heat-resistant glass has a higher melting point, which is why it is not recyclable.

By ensuring heat-resistant glass does not end up alongside recyclable products you are making an important contribution to the environment.



TRANSPORT SECURITY



IMPORTANT!

On delivery, the door is locked for transport and must be released before installation. This is done by removing the two transport screws in the counterweights on the back of the oven!



AIR CONCENTRATOR PLATE

IMPORTANT!

The oven comes with an air concentrator plate that must be removed before use.

The installation of Visio Uniq 3:1 may differ depending on the country in which it is installed. In Norway pursuant to Norway's open-plan office rules requires the insertion of a mechanical stopper in the flue. See the manual in Norwegian for more information.



CHOICE OF MATERIAL FOR INSTALLATION

The material can be panels/brick with an insulation value greater than $0.03 \text{ m}^2 \times \text{K/W}$.

The insulation is defined as wall thickness (in metres) divided by the wall's Lambda value.

Consult your installation technician/chimney inspector.

During testing, the fireplace insert is installed in a cabinet made of non-flammable 50 mm calcium silicate panels (Skamotec 225).

The stove comes with a flue collar that is 200 mm in diameter.

The flue collar can be changed from a top outlet to a rear outlet. Loosen the clamping strap on the outlet flange and adjust as preferred.

The fireplace insert must be placed on heat-resistant material.

See the following pages for installation dimensions and placement distances.

VIGTIGT!

As a minimum, the chimney must be constructed of T400-N1-D-50050-G100 flue pipe.



INSTALLATION DIMENSIONS INSULATED FLUE

INSTALLATION DIMENSIONS

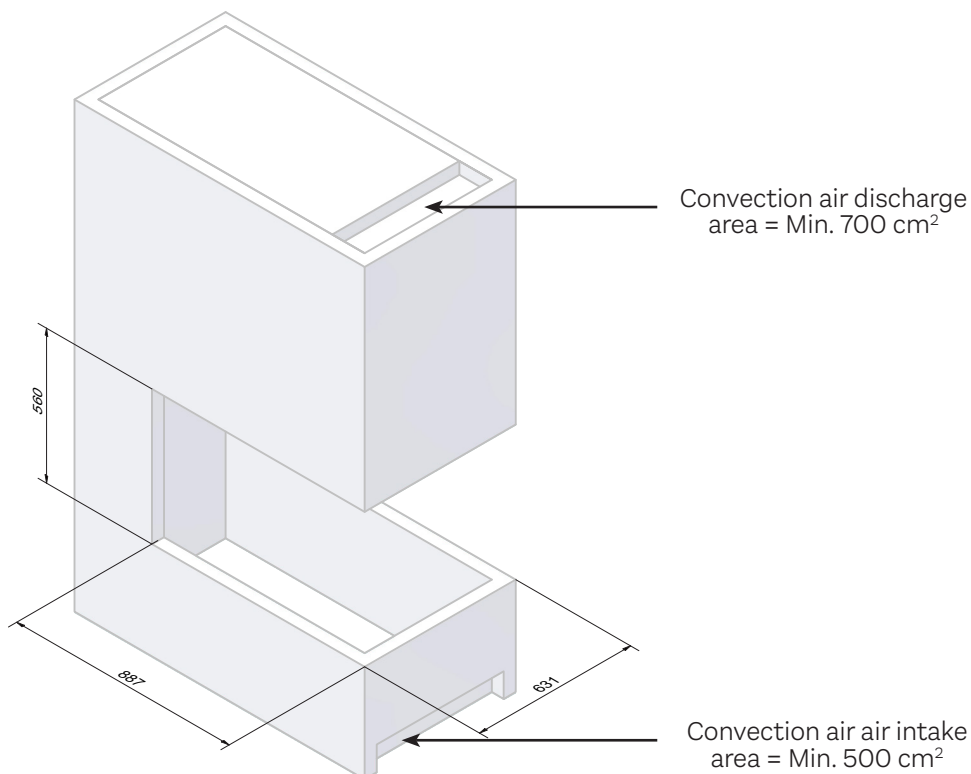
Applies to installation into non-flammable panels.

Minimum cavity dimensions (H x W x D): . 560 x 631 x 887 mm

A fireplace insert must never be tightly inserted into a cavity, as steel expands when heated.

There must be a minimum convection air intake of 500 cm² underneath the stove and 700 cm² above it. The minimum convection-air areas above and below the stove can be distributed over several holes.

Distance	Dimensions mm
Distance from convection grate to flammable ceiling	380
Distance from lower door edge to flammable floor	410

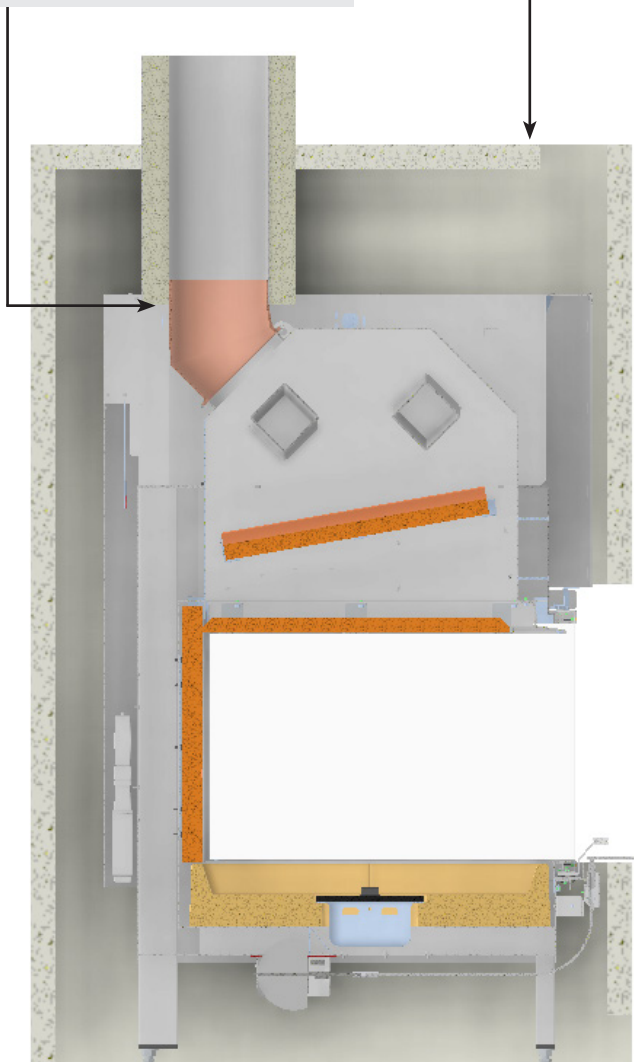


SET-UP INSULATED FLUE

A non-combustible plate must be installed directly above the convection air draft.

ATTENTION!

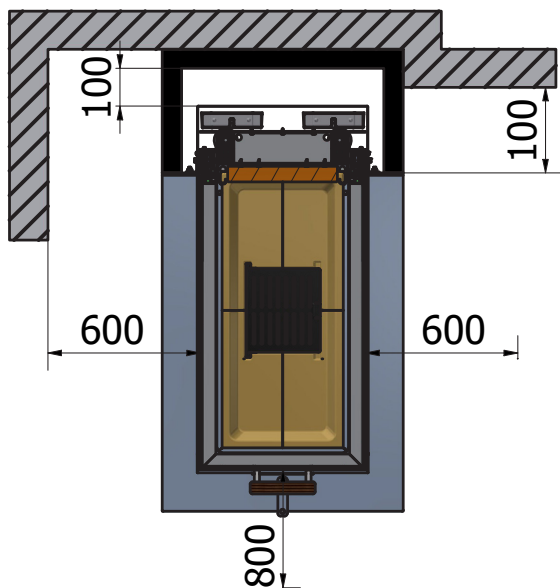
The insulated chimney must extend all the way down to the flue outlet adapter.



SET-UP INSULATED FLUE

If the insulation value is complied with (greater than $0.03 \text{ m}^2 \times \text{K/W}$), the cabinet may be installed against a flammable wall provided that the interior distance from stove to cabinet is respected.

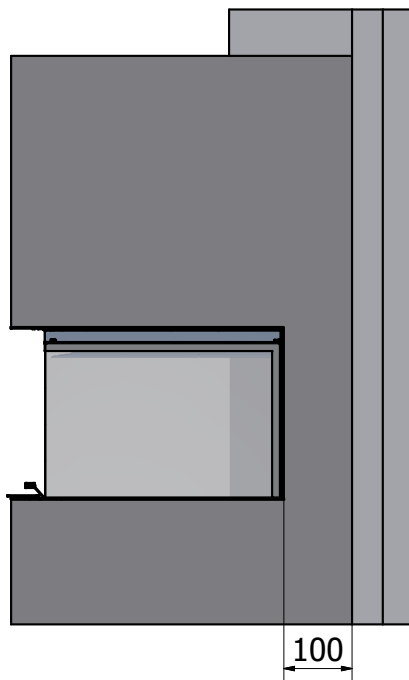
Minimum distance	mm
Distance from door to furniture	800
Distance from side glass to furniture	600
Interior distance to cabinet	100
Distance from vertical frame to flammable wall	100



Combustible



Not Combustible



INSTALLATION DIMENSIONS UN-INSULATED FLUE

INSTALLATION DIMENSIONS:

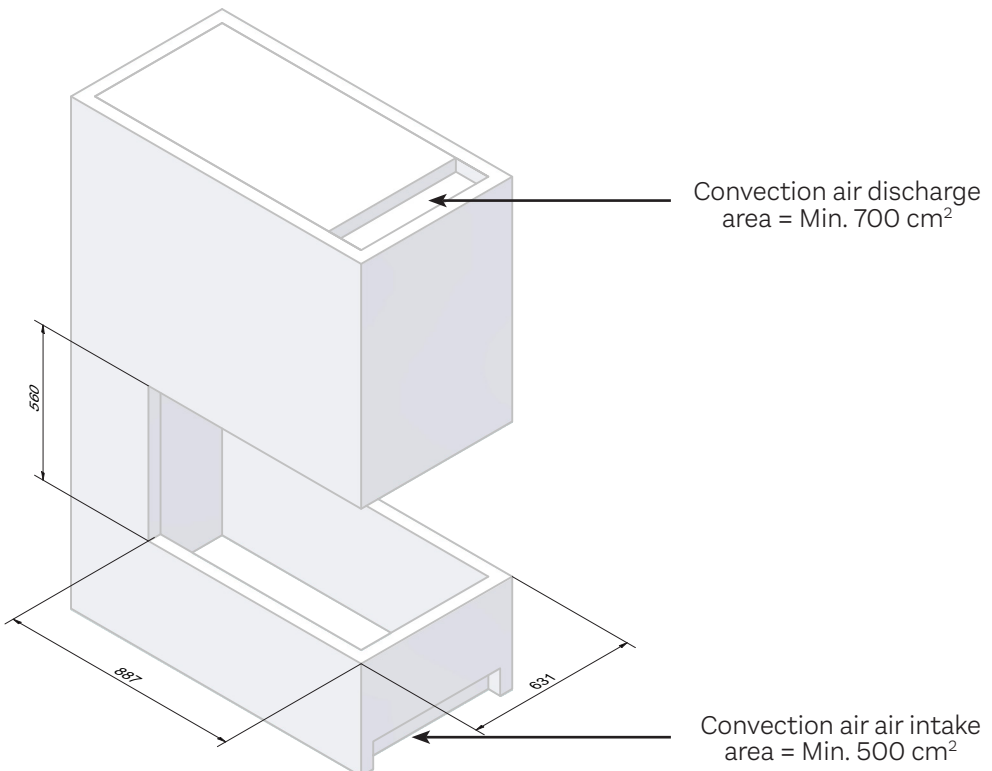
Applies to installation into non-flammable panels.

Minimum cavity dimensions (H x W x D): . 560 x 631 x 887 mm mm

A fireplace insert must never be tightly inserted into a cavity, as steel expands when heated.

There must be a minimum convection air intake of 500 cm² underneath the stove and 700 cm² above it. The minimum convection-air areas above and below the stove can be distributed over several holes.

Distance	Dimensions mm
Distance from convection grate to flammable ceiling	380
Distance from lower door edge to flammable floor	410

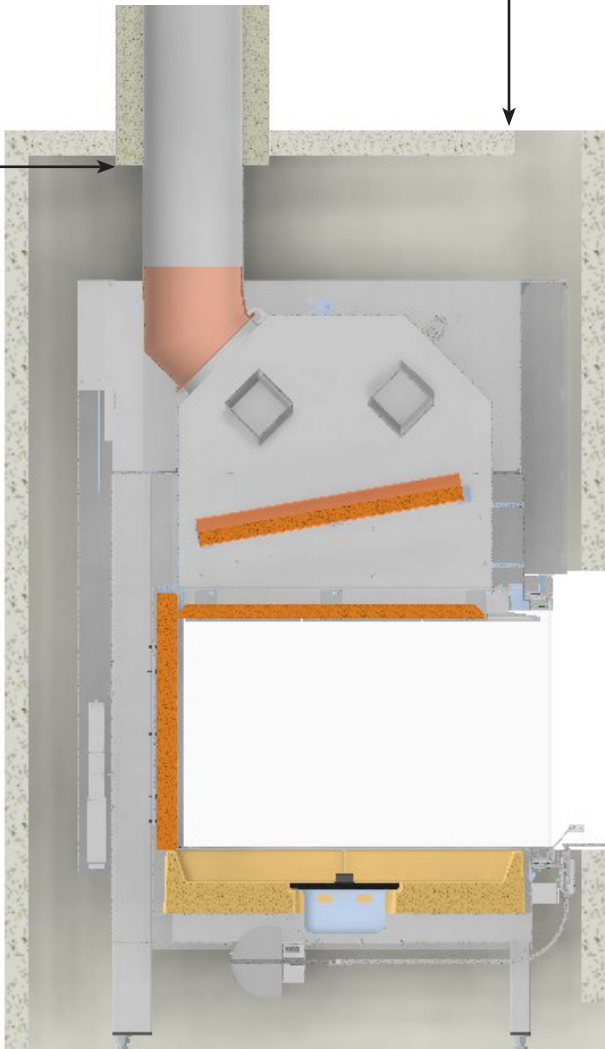


SET-UP UN-INSULATED FLUE

A non-combustible plate must be installed directly above the convection air draft.

ATTENTION!

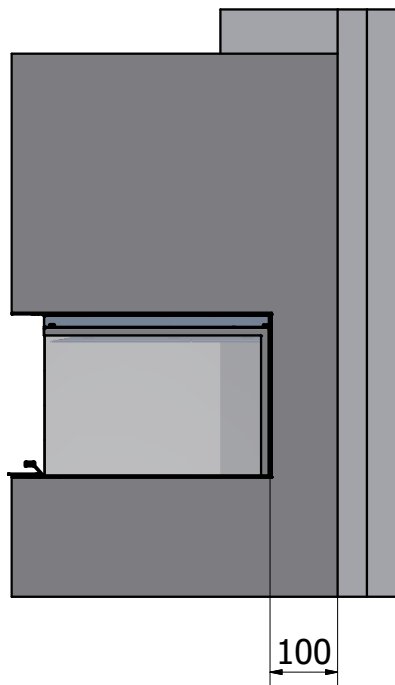
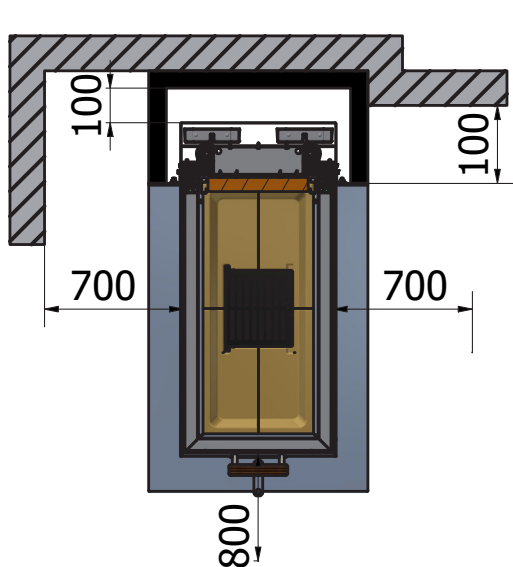
The insulated chimney must pass through the non-combustible plate.



SET-UP UN-INSULATED FLUE

If the insulation value is complied with (greater than $0.03 \text{ m}^2 \times \text{K/W}$), the cabinet may be installed against a flammable wall provided that the interior distance from stove to cabinet is respected.

Minimum distance	mm
Distance from door to furniture	800
Distance from side glass to furniture	700
Interior distance to cabinet	100
Distance from vertical frame to flammable wall	100



Combustible

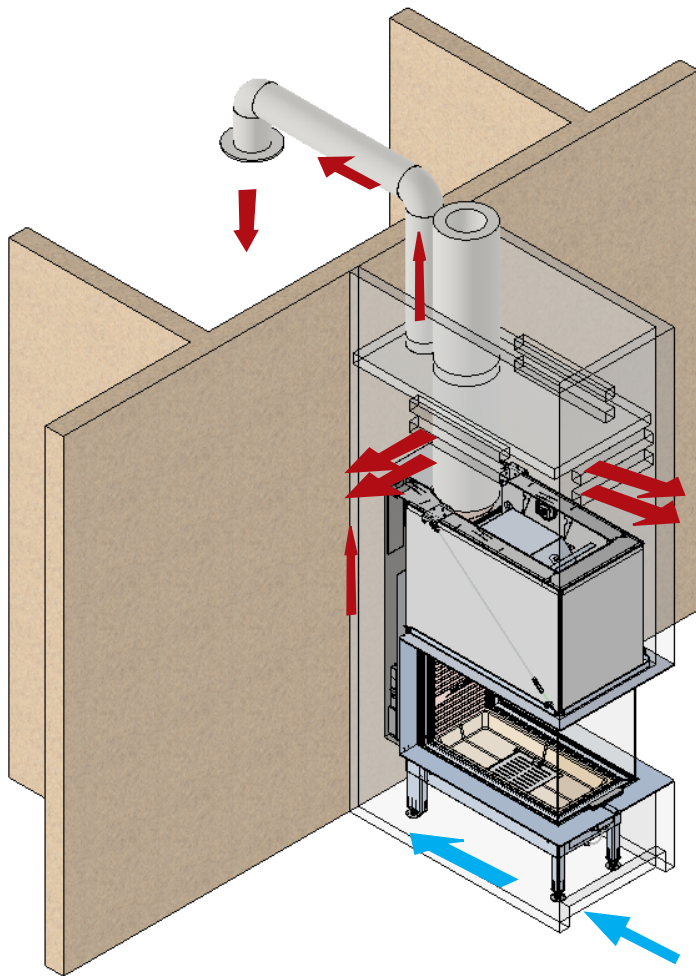


Not Combustible

HEAT DISTRIBUTOR

HEAT DISTRIBUTOR

By installing a heat distributor unit above the fireplace insert, heat can be 'transported' to other rooms.

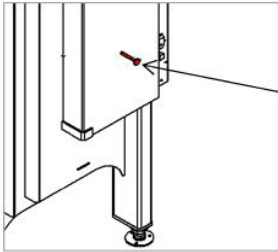


COLD AIR
WARM AIR

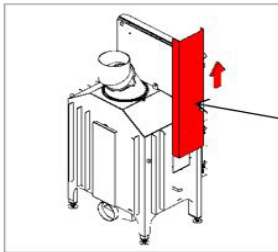
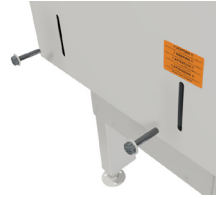


CONVERT TO SELF-CLOSING DOOR BEFORE BUILDING IN THE INSERT

Convert the door to self-closure by removing some of the door's counterweights. There are counterweights on both sides.

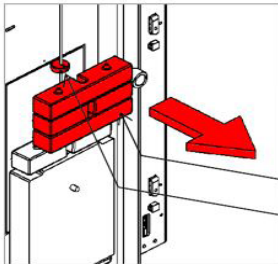


1. Remove the transport safety fittings and retainer screws for the counterweight cover
Transport safety fitting.



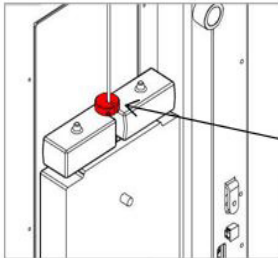
2. Remove the counterweight cover by pulling it up.

Counterweight cover.



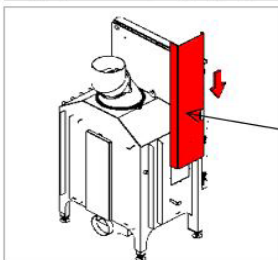
3. Loosen the locking ring (2.5 mm hex key). Remove the number of counterweights that allow the door to close slowly and at a constant speed. Double-check the function.

Counterweights
Locking ring



4. Tighten the locking ring (2.5 mm hex key)

Locking ring

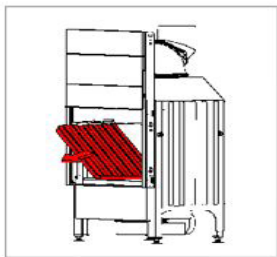


5. Attach the counterweight cover and the retainer screw(s).

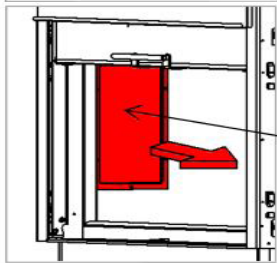
Counterweight cover.

CONVERT TO SELF-CLOSING DOOR AFTER BUILDING IN THE INSERT

Convert the door to self-closure by removing some of the door's counterweights. There are counterweights on both sides.

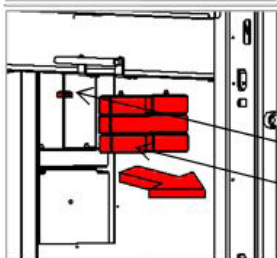


1. Remove the side Skamol panel.



2. Remove the access panel.

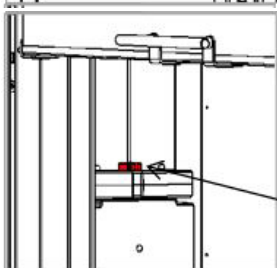
Access panel.



3. Loosen the locking ring (2.5 mm hex key). Remove the number of counterweights that allow the door to close slowly and at a constant speed. Double-check the function.

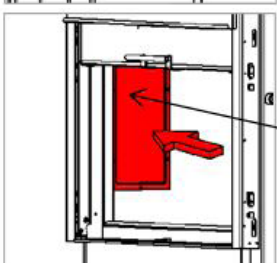
Locking ring.

Counterweights.



4. Tighten the locking ring (2.5 mm hex key).

Locking ring.

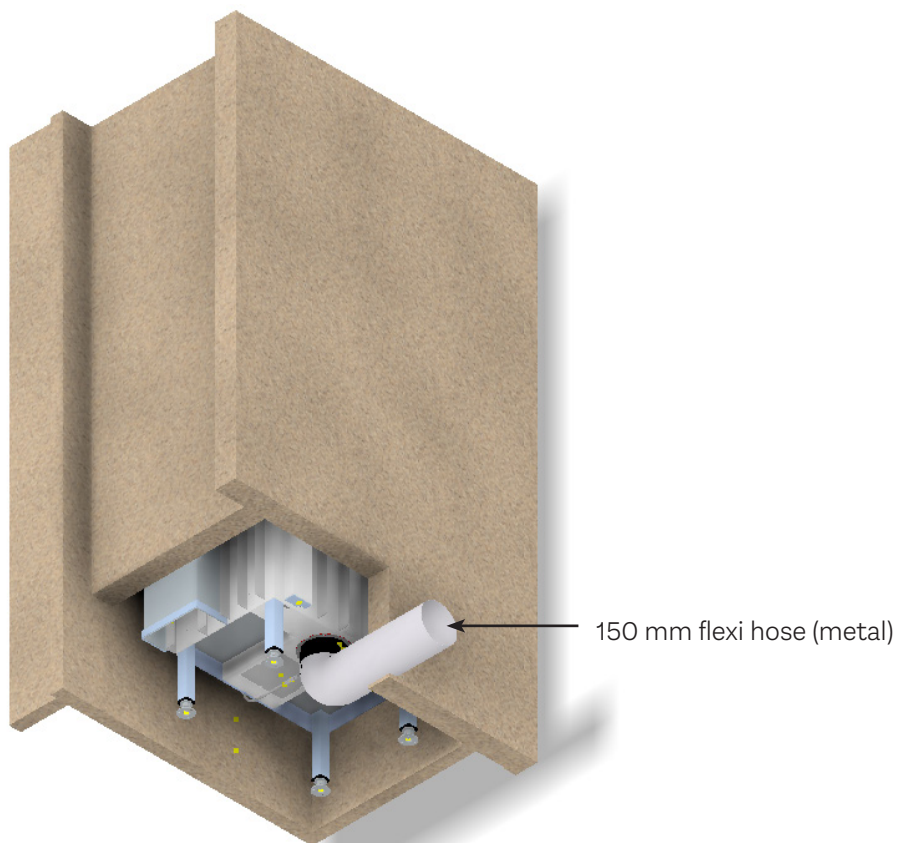


5. Re-attach the access panel and side Skamol panel.

Access panel.

EXTERNAL AIR CONNECTION, AIRSYSTEM

All RAIS/ATTIKA fireplace inserts can have an external air connection for combustion. We call this external air supply AirSystem. The system can be connected to the underside of the fireplace insert.



150 mm flexi hose (metal)

DECLARATION OF PERFORMANCE

UK DECLARATION OF PERFORMANCE

CPR 2011 (Retained EU law 305/2011) as amended



No.: 129

- | | |
|---|--|
| 1. Unique identification code of the product-type | RAIS VISIO Uniq 3:1 - ATTIKA VISIO Uniq 3:1 |
| 2. Type | Inset appliance burning solid fuel without hot water supply |
| 3. Intended use | Domestic room heater |
| 4. Manufacturer | Spartherm Feuerungstechnik GmbH, Maschweg 38, D-49324 Melle, www.spartherm.com |
| 5. Authorised representative | RAIS A/S, Industrivej 20, Vangen, DK-9900 Frederikshavn, Denmark, www.rais.com / www.attika.ch |
| 6. System of assessment AVCP | System 3
Approved Body – Danish Technological Institute - Identification no. 1235
Teknologiparken, Kongsvang Allé 29, DK-8000 Århus C, Danmark
Test report: 300-ELAB2646-EN |
| 7. Approved Body | performed the determination of the product type on the basis of type testing under system 3 and issued test report |
| 8. Declared performance | Harmonized technical specification: EN 13229:2001/A2:2004/AC:2007 |

Essential characteristics		Performance
Fire safety		<ul style="list-style-type: none"> Insulated flue 50 mm Skarnotec 225 non-combustible panel board Distances are measured externally on the built-in box
Reaction to fire		Visio Uniq 3:1
Distance to combustible materials	A1 rear	0
Minimum distances [mm]	sides	600
<i>For other installation or wall settings see instruction manual</i>	Front	800
	Ceiling	380
	Floor	400
Risk of burning fuel falling out	Pass	
OGC (mg/Nm ³ rel. 13 Vol-% O ₂)	≤ 120	
CO-emission of combustion products	≤ 0,12 % / ≤ 1500 mg/Nm ³	
NO _x (mg/Nm ³ rel. 13 Vol-% O ₂)	≤ 200	
Dust mg/Nm ³ at (rel. 13 Vol-% O ₂)	≤ 40	
Surface temperature	Pass	
Electrical safety	NPD	
Cleanability	Pass	
Maximum operating pressure	- bar	
Flue gas temperature T at nominal heat output	262 °C	
Mechanical resistance (to carry a chimney/flue)	NPD	
Thermal output		
Nominal heat output	11,3 kW	
Room heating output	11,3 kW	
Water heating output	- kW	
Energy efficiency η	≥ 75 %	
Seasonal Efficiency $\eta_{S,an}$	≥ 65 %	

9. The performance of the product identified in points 1 and 2 is in conformity with the declared performance in point 8. This declaration of performance is issued under the sole responsibility of the manufacturer identified in point 4.

Signed for and on behalf of the manufacturer by:

John Engell Nielsen, R&D Manager

Place FREDERIKSHAVN, DENMARK

Date 01-12-2023


Signature

EN

TEST CERTIFICATE



EU DECLARATION OF CONFORMITY

Company name:	Rais A/S
Postal address:	Industrivej 20
Postcode:	9900
City:	Frederikshavn, Denmark
Telephone number:	+45 98 47 90 33
E-Mail address:	kundeservice@rais.dk

Declare that the DoC is issued under our sole responsibility and belongs to the following product:

Rais project number:	129
Models:	RAIS VISIO Uniq 3:1 ATTIKA VISIO Uniq 3:1
Type	Inset appliance burning solid fuel without hot water supply
Serial number:	All stoves have a unique serial number that is affixed to the stove. The location of the sticker is indicated in the user manual and is recorded in the Rais serial number database.

Last two figures, the year, where the CE-Label was put on the stove	23
---	----

Object of the declaration:

Room heater



TEST CERTIFICATE



The object of the declaration described above is in conformity with the relevant top-level directives and regulations

<input checked="" type="checkbox"/>	DIR 2009/125/EC	21/10/2009	Energy Related Products Directive (ecodesign)
<input checked="" type="checkbox"/>	REG (EU) 305/2011	9/3/2011	Construction Products Regulation (CPR)
<input checked="" type="checkbox"/>	REG (EU) 2017/1369	4/7/2017	Energy Labelling Regulation

Implementation measures incl regulations and delegated acts

<input checked="" type="checkbox"/>	(EU) 2015/1186 (EL)	24/4/2015	Energy labelling delegated act on Room heaters
<input checked="" type="checkbox"/>	(EU) 2015/1185 (ED)	24/4/2015	Ecodesign regulation on Room heaters
<input checked="" type="checkbox"/>	2017/C 076/02	10/3/2017	COM Transitional methods OJ EU C76 Vol 60


Harmonized standards, other standards, and technical specifications

<input checked="" type="checkbox"/>	EN 13229:2001	13/6/2001	Inset appliances including open fires fired by solid fuels
<input checked="" type="checkbox"/>	EN 13229/A1:2003	02/04/2003	Inset appliances including open fires fired by solid fuels
<input checked="" type="checkbox"/>	EN 13229/A2:2204	15/09/2004	Inset appliances including open fires fired by solid fuels
<input checked="" type="checkbox"/>	CEN/TS 15883	8/9/2009	Emission measurement from 2009
<input checked="" type="checkbox"/>	EN 16510-1:2018	31/7/2018	Emission measurement methods 2018 onwards

Notified body	4 digit notified body number:
Danish Technological Institute	1235

Additional information:

Further information on declared fire safety performance & emissions are available in the Declaration of performance. (DOP)

PLACE: FREDERIKSHAVN, DENMARK Date: 26-10-2023  Signature John Engell Nielsen R&D / Quality Manager	Installation approved by. Date: Signature
--	--

EN

SPARE PARTS LIST

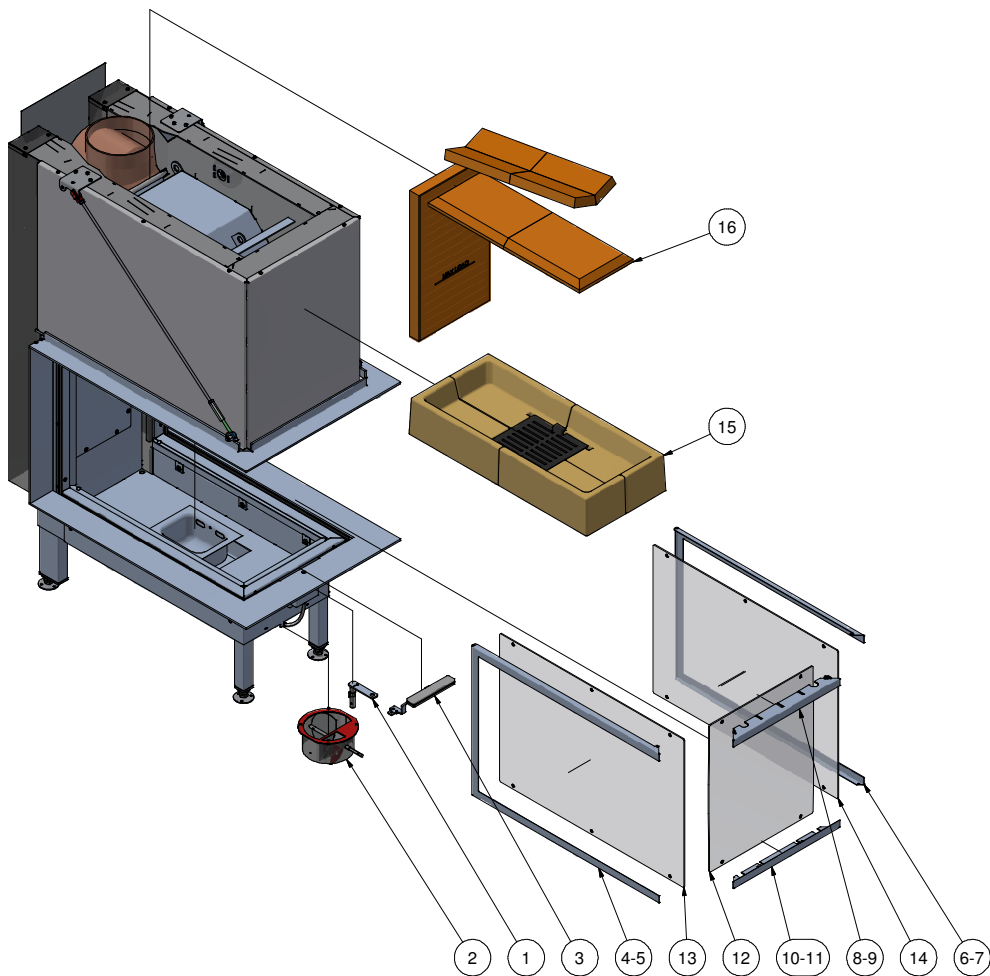
SPARE PARTS VISIO UNIQ 3:1

If spare parts other than those recommended by RAIS are used, the warranty is void. All replaceable parts can be purchased as spare parts from your RAIS dealer.

See spare parts drawing.

POS.	DESCRIPTION
1	Handle for damper - complete
2	Damper - complete
3	Door handles
4	Glass moldings left door - Painted
5	Glass strips left door - Stainless
6	Glass moldings right door - Painted
7	Glass strips right door - Stainless
8	Glass strips top front door - Painted
9	Glass strips top front door - Rust-free
10	Glass strips bottom front door - Painted
11	Glass strips bottom front door - Stainless
12	Door glass front
13	Door glass left
14	Door glass right
15	Chamotte (refractory stones - Bottom)
16	Wall Skamol

SPARE PARTS DRAWING





RAIS[®]
ART  OF FIRE

RAIS A/S
Industrivej 20
DK-9900 Frederikshavn
Denmark
www.rais.com

attika
FEUERKULTUR

ATTIKA FEUER AG
Brunnmatt 16
CH-6330 Cham
Switzerland
www.attika.ch

